

CAB & DAB

CAB10A, CAB10E, CAB10W, CAB15A, CAB15E & CAB15W
DAB10A, DAB10E, DAB10W, DAB15A, DAB15E & DAB15W

UK

DE

FR

ES

NL

IT

RU

PL

NO

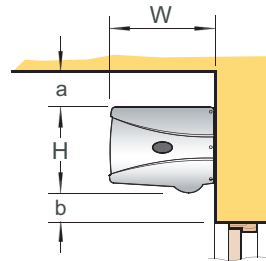
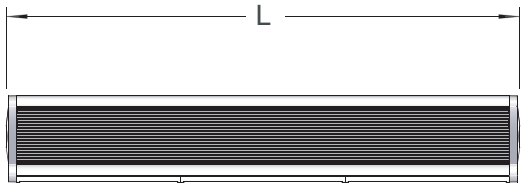
SE

DK

FI

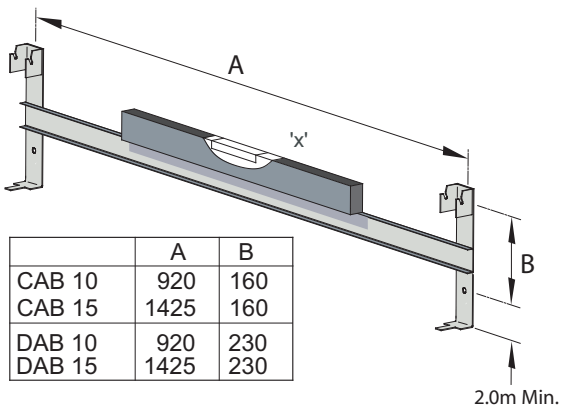
SI

1



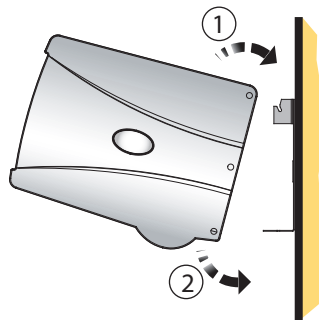
	L	W	H
CAB 10 E/W/A	1065	320	262
CAB 15 E/W/A	1569	320	262
DAB 10 E/W/A	1057	391	361
DAB 15 E/W/A	1557	391	361

2

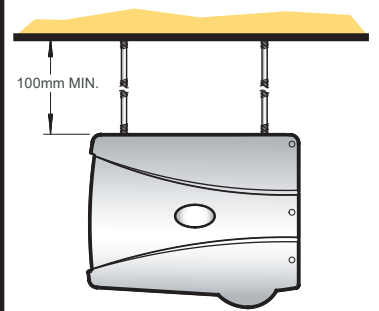


	A	B
CAB 10	920	160
CAB 15	1425	160
DAB 10	920	230
DAB 15	1425	230

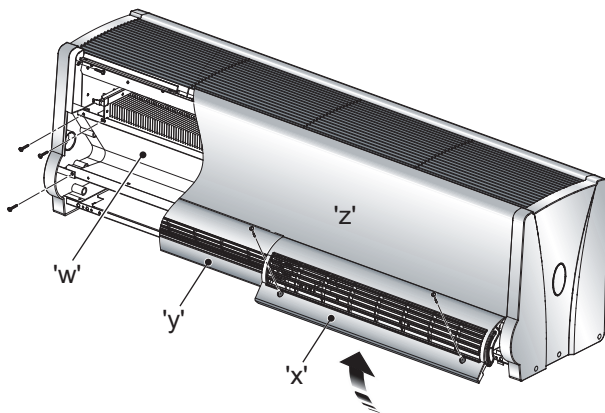
3a



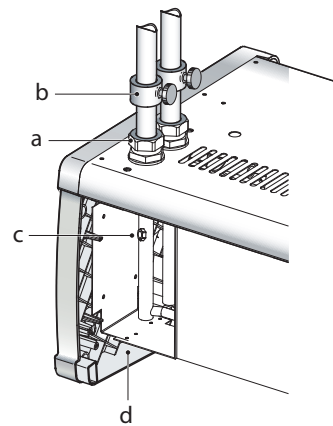
3b



4

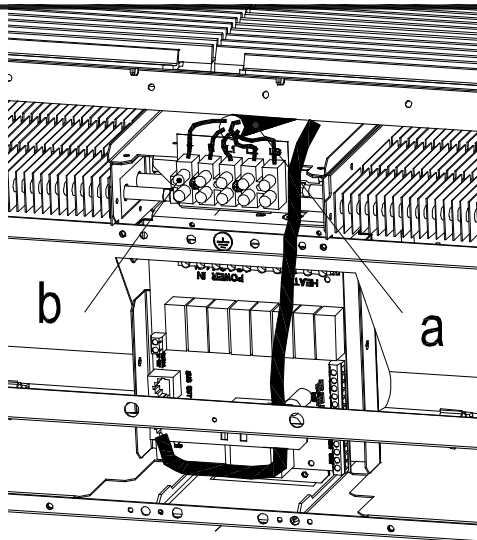


5



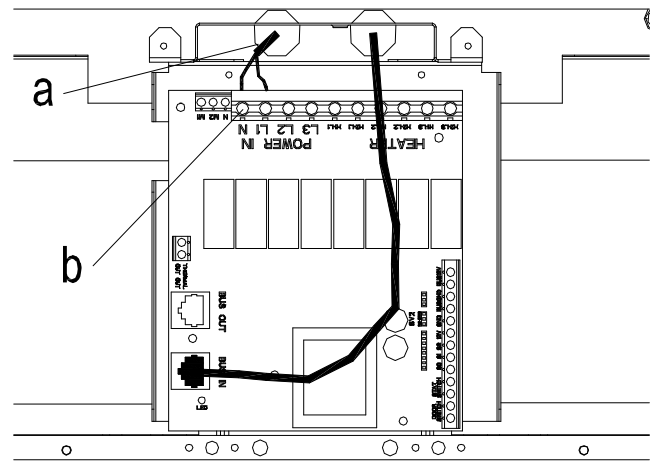
6A

CAB E & DAB E



6B

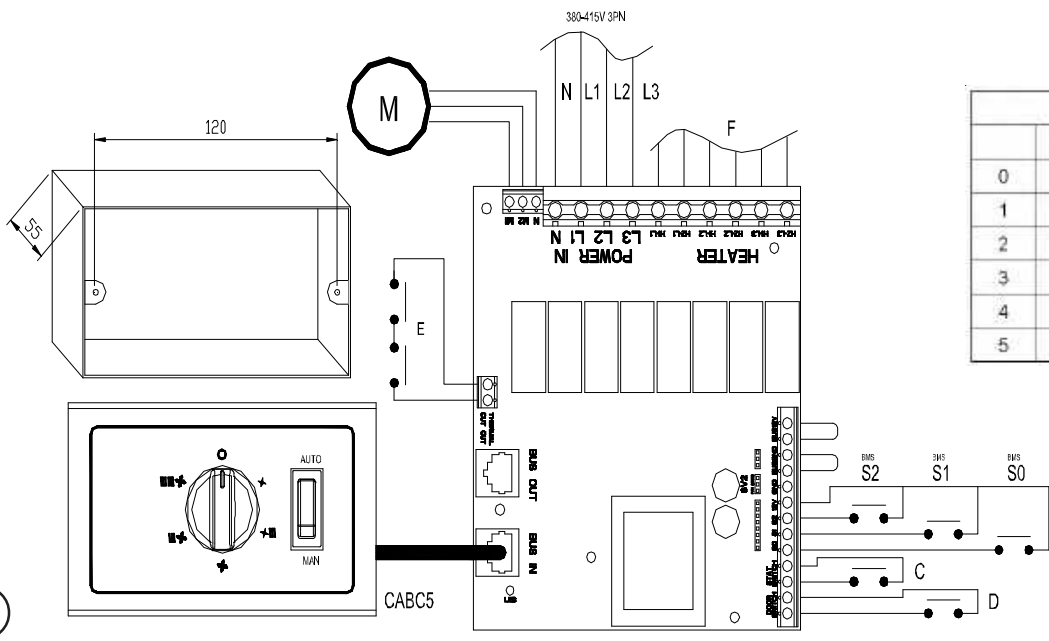
CAB W/A & DAB W/A



CAB 'E' & DAB 'E'

BMS/BEMS				
	S2	S1	S0	Out
0	0	0	0	○
1	0	0	1	✦
2	0	1	0	✦✦
3	1	0	0	✦✦✦
4	1	0	1	✦✦✦✦
5	1	1	0	✦✦✦✦✦

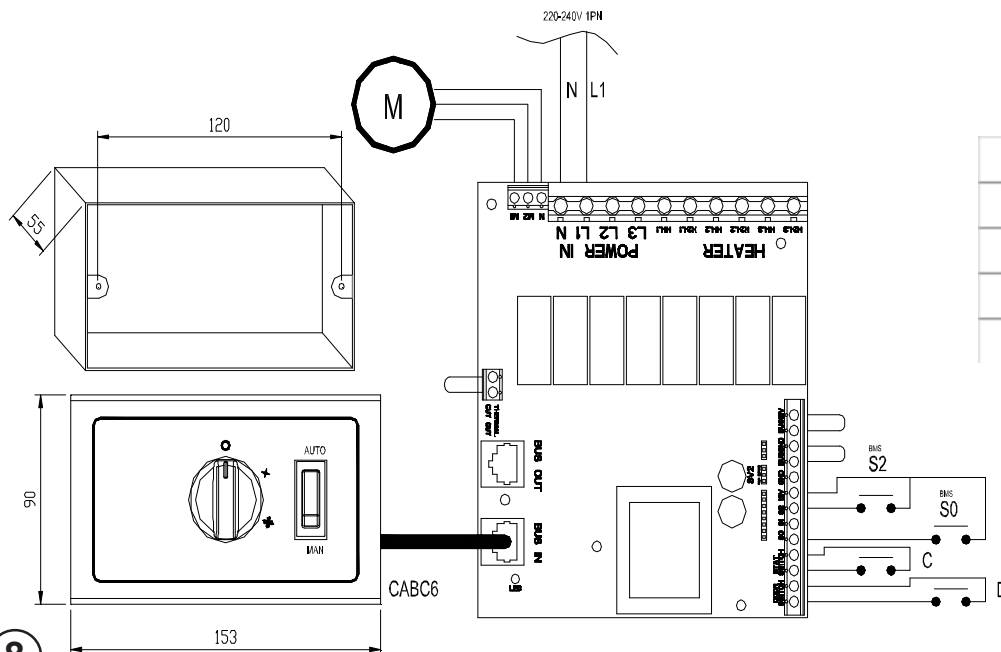
7



CAB 'A' & DAB 'A'
CAB 'W' & DAB 'W'

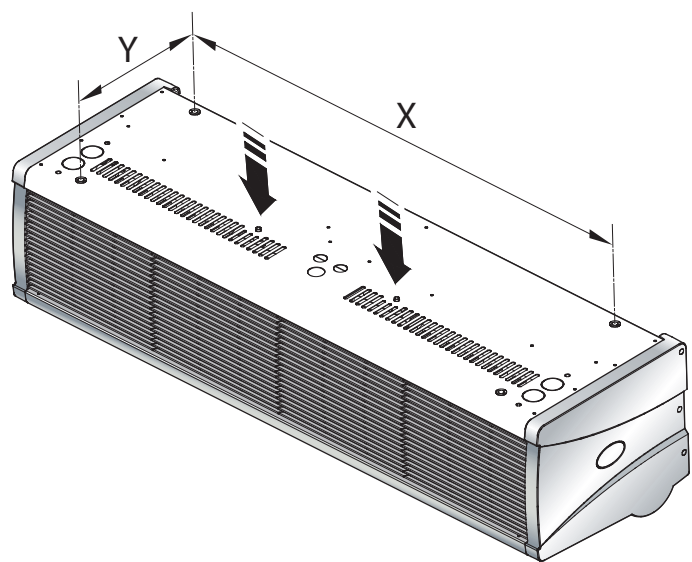
BMS/BEMS			
	S2	S0	Out
0	0	0	○
1	0	1	✦
2	1	0	✦✦

8



	X	Y
CAB 10	840	240
CAB 15	1260	240
DAB 10	800	300
DAB 15	1300	300

9



UK	1
DE	3
FR	5
ES	7
NL	9
IT	11
RU	13
PL	15
NO	17
SE	19
DK	21
FI	23
SI	25

Dimplex Compact Air Barriers

Models : CAB10E, CAB15E, CAB10W, CAB15W, CAB10A, & CAB15A
DAB10E, DAB15E, DAB10W, DAB15W, DAB10A, & DAB15A

IMPORTANT: THESE INSTRUCTIONS SHOULD BE READ CAREFULLY AND RETAINED FOR FUTURE REFERENCE

IMPORTANT SAFETY ADVICE

DO NOT COVER OR OBSTRUCT the air inlet or outlet grille.

ENSURE THE APPLIANCE IS EARTHED.

Do not use this heater in areas where excessive dust exists.

This heater must not be located immediately above or below a fixed socket outlet or connection box.

Always disconnect supply before working on the product.

A suitable termination to the fixed wiring of the premises must be provided adjacent to the final position of the appliance.

This product should be mounted safely to solid wall or ceiling surfaces only.

This product must not be subjected to water spray or immersion.

Ensure the supply cables are of adequate current carrying capacity and are protected by a suitable fuse.

If the appliance is mounted in a toilet or washroom, the appliance should be mounted such that no part of it can be touched by a person using a fixed bath or shower.

If the appliance is mounted in a toilet or washroom an isolating switch must be provided outside the washroom adjacent to the entrance door.

This appliance is not intended for use by persons (including children) with reduced physical, sensory or mental capabilities, or lack of experience and knowledge, unless they have been given supervision or instruction concerning use of appliance by a person responsible for their safety.

This heater is not equipped with a device to control the room temperature. Do not use this heater in small rooms when they are occupied by persons not capable of leaving the room, unless constant supervision is provided.

WARNING: Isolate electrical supply to ALL modular linked units when carrying out maintenance.

Fixing Positions

This appliance may be either wall-mounted or fixed to a ceiling - see Fig. 3 for various fixing positions and 'Mounting' sections below, for fixing details. A minimum distance of 100mm is required from top of the appliance to ceiling (see 'a' in Fig. 1) and also the distance between the bottom of the appliance and the top of the door should be kept to a minimum (see 'b' in Fig. 1).

Wall Mounting

Using the wall mounting bracket as a guide (see Fig. 2) mark off hole positions on the wall (a minimum height of 2.0 metres is required from the floor level to the bottom of the bracket). Position the bracket such that the air outlet of the installed air barriers will be as close to the top of the doorway as possible but will remain unobstructed when installation is complete.

Solid brick or concrete block walls must be drilled and plugged (using a spirit level as a guide - see 'x' in Fig. 2 - to ensure the bracket is level) with rawplug No. 8 size fibre inserts. The plug must be located in the solid part of the wall and not just in the plaster layer.

When fixing to 'panel' walls, the wall bracket should be attached to the stud-work using No. 8 wood screws or by an alternative, equally secure method of fixing. Once the wall bracket has been fitted, the air barrier can be clipped in place as shown in Fig. 3a.

Ceiling Mounting

By using threaded inserts in the top panel of the air barrier, attachment to a ceiling over the product can be achieved using suitable M8 threaded steel rod or similar supports of sufficient strength - see Fig. 3b.

Electrical connection

All products are fitted with a microprocessor control. Electrical power and control connections are made as shown in Fig. 6. A suitable local isolating switch must be provided in the electrical supply circuit with at least 3mm clearance on each pole.

In order to access the electrical connections, remove the outlet grilles ('x', and 'y' in Fig. 4) by releasing the quick release fasteners and hinging the mouldings as shown. Remove the bottom panel ('z' in Fig. 4) and also remove the pressure plate ('w' in Fig. 4).

All Electric Models - Having removed a 'knock out' in the top panel, feed an appropriate supply cable (see 'a' in Fig. 6A) through a suitable cable gland (not supplied) fitted in the top panel and attach to the terminal block (see 'b' in Fig. 6A).

All Water heated and Ambient Models - Having removed a 'knock out' in the top panel, feed an appropriate supply cable (see 'a' in Fig. 6B) through a suitable cable gland (not supplied) fitted in the top panel and attach to the PCB (see 'b' in Fig. 6B).

All Models - A suitable cable (CAT5 or equivalent) for a switch panel (kit ref. - CAB5 for electrically heated models or CAB6 for water heated/ambient models) can be similarly introduced through the top panel and plugged into the circuit board as shown in Fig. 6A & 6B. If the unit is to be operated in conjunction with a door switch, a normally open switch should be wired as per Fig. 7 & 8 as appropriate.

Note: If using a door switch, an additional 2 core (low Voltage) cable is required between the door switch and the air barriers.

If the unit is to be connected to a Building Energy Management System, connections are made as per Fig. 7 & 8 as appropriate. Ensure that the air curtain is securely fastened in position and that the supply cables are firmly clamped before operating the appliance.

Water connection

Models designed for use in conjunction with a low pressure hot water supply should be individually connected (in a parallel circuit) to the flow and return pipe-work. Connections (see 'a' in Fig. 5) are: ½ "BSPT (CAB series) and ¾" BSPT (DAB series) and isolation valves (see 'b' in Fig. 5) should be fitted as close to the air barrier connection points as possible. For commissioning, air bleed valves (see 'c' in Fig. 5) are fitted to the coil, which can be accessed by removal of the lower panel and intake grille - see Fig. 4. The drain (see 'd' in Fig. 5) can also be accessed when the grille and lower panel is removed.

Maximum water supply conditions are 125°C and 8 bar.

To aid installation, the water coil connections may be moved to either side of the appliance. By removing the water coil and appropriate knockouts the water coil can then be re-inserted into the required orientation. This procedure should be carried out before mounting the appliance.

Models

Model	Heat output kW	Electrical Supply	Electrical load A	Weight Kg	Max Installed height m
AMBIENT / COLD STORE					
CAB10A	n/a	220-240V ~1PN	0.3	15.5	2.7
CAB15A	n/a	220-240V ~1PN	0.5	21.5	2.7
DAB10A	n/a	220-240V ~1PN	1.5	21.5	4.0
DAB15A	n/a	220-240V ~1PN	2.3	27.5	4.0
ELECTRICALLY HEATED					
CAB10E	4.5 / 9.0	380-415V ~3PN	14	20.5	2.7
CAB15E	6.75 / 13.5	380-415V ~3PN	20	29	2.7
DAB10E	6.0 / 12.0	380-415V ~3PN	18	26.5	4.0
DAB15E	9.0 / 18.0	380-415V ~3PN	27	35	4.0
WATER HEATED (at 82/71 °C - LPHW)**					
CAB10W	9.0	220-240V ~1PN	0.3	17.7	2.7
CAB15W	13.5	220-240V ~1PN	0.5	24.6	2.7
DAB10W	12.0	220-240V ~1PN	1.5	24.7	4.0
DAB15W	18.0	220-240V ~1PN	2.3	31.9	4.0

Electrical

The installation of this appliance should be carried out by a competent electrician and be in accordance with the current IEE wiring regulations.

Switch Panel Installation

The backing box (standard double gang) should be rebated into a suitable wall. The box should be fitted so that the switch panel will be flush with the wall. Suitable conduit should be used where applicable to carry the cable between the heater and the switch. A CAT5 LAN cable with straight through connections should be used to connect the switch panel to the appliance PCB.

Warning: Ensure cable is secure and the cable path does not come into contact with heater element or other moving parts. Test all switch settings once installation is complete.

Electrically heated variants

Operation using switch box - CABC5

Switch on electrical supply to the air curtain. Rotate the switch to the desired heat setting. Settings available are;

OFF - Low Fan - Low Fan with Low Heat &

High Fan - High Fan with Low Heat - High Fan with Full Heat




The rocker (auto / manual) switch allows for manual over-ride of a door switch if fitted. Manual allows the appliance to run at the desired setting, while Auto provides an energy saving feature by shutting down the appliance while the door is closed. **The unit should always be switched OFF using the switch box control, and not by mains power supply interruption.**

When the unit is switched off (via the switch box) the fan will run on for 1 minute without heat to discharge any residual energy from the heating elements.

When first turned on the control will run through a system check. The selected settings will be reached and maintained after a 30 second period.

Thermostatic control (optional)

By including a single pole bi-metallic or electronic thermostat to the connections as per 'C' in Fig. 7 the following functionality is introduced dependant on heat switch setting.

-  - Fan only - No effect
-  - Half Heat - Heater will reduce to Fan only
-  - Full Heat - Heater will reduce to Half Heat

Thermal Safety cut outs

The power supply to the heating elements will be interrupted if one or a combination of the following abnormal events occur:

1. Air inlet or outlet grilles are obstructed.
2. Internal ventilation is impaired due to build up of dust and fluff.
3. Blower unit stalls.

To reset the thermal safety cut-outs, access reset buttons as shown in Fig. 9. Before re-setting the reason for activation must be determined and corrective action taken.

Door switch control (Electric models)

By including a door switch in the circuit as per 'D' in Fig. 7, the air barrier will respond to door openings as follows:

- (1) Door opening will energise the air barrier at the set conditions (switch box settings).
- (2) On door closure operation will continue at the set conditions for a further 1 minute.
- (3) Between 1 minute and 2 minutes from door closure, set back operation, ½ heat (if heat selected) and ½ fan will activate.
- (4) Between 2 minutes and 3 minutes, the fan only (½ speed) shut down cycle will be engaged.
- (5) After 3 minutes, the air curtain will return to a dormant state until the door is re opened.

If the door re-opens during this 3 minute run on cycle, the process will restart at (1).

Low pressure hot water heated / Ambient (fan only) variants

Operation using switch box - CABC6

Switch on electrical supply to the air curtain. Rotate the switch to the desired heat setting. Settings available are;

OFF - Low Fan - High Fan

The rocker (auto / manual) switch allows for manual over-ride of a door switch if fitted. Manual allows the appliance to run at the desired setting, while Auto provides an energy saving feature by shutting down the appliance while the door is closed. The unit should always be switched OFF using the switch box control, and not by mains power supply interruption.

When first turned on the control will run through a system check. The selected settings will be reached and maintained after a 30 second period.

Thermostatic control (optional)

1) A thermostatic regulation valve with a remote sensing bulb (not supplied) can be positioned in the supply water pipe-work to regulate the heat output.

2) An electrical 3-Port Solenoid Valve can also be connected into the system. Please contact your service agent using the contact details for more details.

Door switch control (Water / Ambient models)

By including a door switch in the circuit as shown in Fig. 8 as appropriate, the air barrier will respond to door openings as follows:

- (1) Door opening will energise the air barrier at the set conditions (switch box settings).
- (2) On door closure operation will continue at the set conditions for a further 1 minute.
- (3) Between 1 minute and 2 minutes from door closure ½ fan set back operation will activate.
- (4) After 2 minutes, the air barrier will return to a dormant state until the door is re-opened.

If the door re-opens during this 2 minute run on cycle, the process will re start at (1).

Wiring Diagrams

CAB & DAB 'E' - Electric models - see Fig. 7

CAB & DAB 'W' & 'A' - Water & Ambient models - see Fig. 8

- C - Thermostat
- D - Door Switch (Optional)
- E - Thermal Safety Cut-out Circuit
- F - Elements
- G - BMS Switches (Optional) (S, S1, S2)
- M - Motor

Remote (BMS / BEMS) Operation

Connection to Building Energy Management Control Systems (BEMS) is possible so that remote control of the air-barrier can be carried out in conjunction with other equipment.

Modular Connection

Refer to instructions provided with the modular linking kit.

Recessed Installation

Refer to instructions provided with the recess installation kit.

Recycling



For electrical products sold within the European Community. At the end of the electrical products useful life it should not be disposed of with household waste. Please recycle where facilities exist. Check with your Local Authority or retailer for recycling advice in your country.

Cleaning

WARNING: DISCONNECT SUPPLY before carrying out maintenance.

External appearance can be maintained by wiping occasionally with a damp cloth ; for stain removal, a weak soap solution can be applied with a cloth and the surface wiped dry. Care must be taken to avoid any moisture ingress into the product.

After Sales Service

Should you require after sales service or should you need to purchase any spares, please contact the retailer from whom the appliance was purchased or contact the service number relevant to your country on the warranty card.

Please do not return a faulty product to us in the first instance as this may result in loss or damage and delay in providing you with a satisfactory service.

Please retain your receipt as proof of purchase.

Dimplex Luftschleier

Modelle: **CAB10E, CAB15E, CAB10W, CAB15W, CAB10A, & CAB15A**
DAB10E, DAB15E, DAB10W, DAB15W, DAB10A, & DAB15A

WICHTIG: DIESE ANWEISUNG SORGFÄLTIG LESEN UND FÜR SPÄTERE REFERENZ AUFBEWAHREN

WICHTIGE SICHERHEITSHINWEISE

Den Lufteinlass oder -auslass NICHT ABDECKEN ODER BLOCKIEREN.

SICHERSTELLEN, DASS DAS GERÄT GEERDET IST.

Dieses Heizgerät nicht in Bereichen betreiben, in denen es verstärkt Staub ausgesetzt ist.

Dieses Heizgerät darf nicht direkt über oder unter einer fest installierten Steckdose oder Abzweigdose montiert werden.

Vor dem Ausführen von Arbeiten am Gerät stets die Spannungsversorgung trennen.

In der festverlegten elektrischen Installation ist eine Trennvorrichtung mit mindestens 3 mm Kontaktöffnung an jedem Pol (z.B. Sicherungsautomat) vorzusehen.

Das Gerät muss sicher an einer stabilen Wand- oder Deckenfläche befestigt werden.

Das Gerät darf keinem Spitzwasser ausgesetzt werden und muss gegen Eindringen von Wasser geschützt werden.

Sicherstellen, dass alle Leitungen eine entsprechende Strombelastbarkeit aufweisen und durch eine geeignete Sicherung geschützt sind.

Wenn die Einheit in einem Badezimmer installiert wird, muss sie so angebracht werden, dass kein Teil von einer Person in einer Badewanne oder Dusche berührt werden kann.

Wenn die Einheit in einem Badezimmer installiert wird, muss ihr ein Fehlerstrom-Schutzschalter FI ≤ 30 mA vorgeschaltet werden.

Vor dem Ausführen von Arbeiten am Gerät stets die Spannungsversorgung am Heizgerät und am Bedienfeld trennen. Werden mehrere Heizgeräte über das Bedienfeld angesteuert, muss an allen Heizgeräten die Spannungsversorgung unterbrochen werden.

Dieses Gerät ist nicht für Personen (einschließlich Kinder) mit verminderter körperlicher oder geistiger Unversehrtheit, verminderter Wahrnehmungsfähigkeit oder Denkfähigkeit oder mit mangelnden Erfahrungen und Kenntnissen geeignet, es sei denn, sie stehen unter Aufsicht oder erhalten eine Anleitung in der Verwendung des Geräts durch eine Person, die für deren Sicherheit verantwortlich ist.

Dieses Heizgerät ist nicht mit einer Vorrichtung zur Regelung der Raumtemperatur ausgestattet. Dieses Heizgerät darf nicht in kleinen Räumen verwendet werden, in dem sich Personen befinden, die nicht in der Lage sind, den Raum zu verlassen, es sei denn, es steht eine Aufsichtsperson permanent bereit.

WARNUNG: Bei Wartungsarbeiten die Stromversorgung ALLER modular verbundenen Einheiten isolieren.

Elektrik

Das Gerät muss von einem zugelassenen Elektro-Fachmann in Übereinstimmung mit den aktuellen Vorschriften installiert werden.

Befestigung

Das Gerät kann entweder an der Wand oder der Decke befestigt werden. Siehe Abbildung 3 mit verschiedenen Befestigungen und die folgenden Montagebeschreibungen mit Befestigungsdetails. Ein Mindestabstand von 100 mm muss zwischen der Oberkante des Gerätes und der Decke (siehe „a“ in Abbildung 1) eingehalten werden. Der Abstand zwischen Geräteunterseite und Oberkante der Tür (siehe „b“ in Abbildung 1) sollte möglichst gering ausfallen.

Wandmontage

Die Position der Bohrungen mit Hilfe der Wandhalterungen (siehe Abbildung 2) an der Wand markieren. (Es wird eine Mindesthöhe von 2,0 m zwischen dem Fußboden und der Unterkante der Halterung benötigt.) Die Halterungen so positionieren, dass der Luftauslass des montierten Luftschleiers sich so nah wie möglich an der Türöffnungsoberkante befindet, bei beendeter Montage jedoch nicht blockiert ist. Bohrungen in stabilem Mauerwerk oder Zementwänden müssen mit Spreizdübel-Fasereinsätzen Größe Nr. 8 gebohrt und gedübelt werden. (Dabei eine Richtwaage zur Ausrichtung der Halterung verwenden – siehe Abbildung 2) Der Dübel muss sich im stabilen Wandteil befinden – nicht nur im Verputz.

Bei der Befestigung an Plattenwänden muss die Halterung mit einer Holzschraube Nr. 8 oder einer anderen sicheren Befestigungsmethode an den Verstrebungen befestigt werden. Nachdem die Wandhalterung montiert wurde, kann der Luftschleier wie in Abbildung 3a befestigt werden.

Deckenmontage

Für Deckenmontage sind an der Geräteoberseite Gewindeeinsätze vorgesehen. Hierfür müssen M8 Gewindestangen oder vergleichbar stabile Befestigungsvorrichtungen mit ausreichender Stabilität verwendet werden. Ein Mindestabstand zur Decke von 100 mm muss eingehalten werden - siehe Bild 3b.

Elektrischer Anschluss

Die Geräte sind mit einer Mikroprozessorsteuerung ausgerüstet. Die Stromversorgungs- und Steuerungsanschlüsse werden wie in Abbildung 6 gezeigt vorgenommen. Schutzleiter anschließen!

In der festverlegten elektrischen Installation ist eine Trennvorrichtung mit mindestens 3 mm Kontaktöffnung an jedem Pol (z.B. Sicherungsautomat) vorzusehen .

Die Auslassgitter („x“ und „y“ in Abbildung 4) entfernen, indem die Schnellverschlüsse geöffnet und die Auslassgitter wie gezeigt herausgelöst werden. Untere Abdeckung („z“ in Bild 4) und Luftleitblech („w“ in Bild 4) entfernen.

Alle elektrischen Modelle - Nach Entfernen der vorgestanzten Kabeleinführungsoffnung in der oberen Abdeckung Kabeltülle (nicht im Lieferumfang) einsetzen, die Netzversorgungsleitung (siehe „a“ in Abbildung 6A) durch die Verschraubung führen und an den Klemmenblock (siehe „b“ in Abbildung 6A) anschließen.

Alle wassergeheizten und Umgebungsmodelle - Nach dem Entfernen eines Ausbruchs in der oberen Verkleidung muss ein geeignetes Versorgungskabel (siehe „a“ in **Abb. 6B**) über eine passende und an der oberen Verkleidung angebrachte Kabelverschraubung (nicht mitgeliefert) hineingeführt und an die Platine angeschlossen werden (siehe „b“ in **Abb. 6B**).

Alle Modelle - Ein geeignetes Kabel (CAT5 oder gleichwertig) für eine Schalttafel (Set-Ref. - CAB5 bei elektrisch geheizten Modellen oder CAB6 bei Wasser geheizten/Umgebungsmodellen) kann auf ähnliche Weise über die obere Verkleidung eingeführt und an die Leiterplatte angeschlossen werden (siehe **Abb. 6A und 6B**). Wenn die Anlage in Kombination mit einem Türschalter betrieben werden soll, ist ein Schalter mit Schließerkontakt wie in **Abb. 7 und 8** gezeigt anzuschließen.

Hinweis: Bei Verwendung eines Türschalters ist ein zusätzliches 2-adriges (Niederspannungs-)Kabel zwischen dem Türschalter und den Luftschleier erforderlich.

Wenn die Anlage an ein Gebäude-Energiemanagementsystem angeschlossen werden soll, müssen die Verbindungen wie in **Abb. 7 und 8** dargestellt hergestellt werden. Vor dem Betrieb der Anlage ist sicher zu stellen, dass der Luftschleier fest in Einbauposition installiert ist und dass die Anschlusskabel fest eingespannt sind.

Wasseranschluss

Modelle, für Warmwasserversorgung mit geringem Druck, sind (in einem Parallelkreislauf) jeweils an Vorlauf und Rücklauf anzuschließen. Die erforderlichen Anschlüsse (siehe „a“ in Abbildung 5) sind: $\frac{1}{2}$ für die CAB-Reihe und $\frac{3}{4}$ für die DAB-Reihe. Die Absperrventile (siehe „b“ in Abbildung 5) sind möglichst nahe an den Wasseranschlüssen des Luftschleiers anzubringen. Für die Inbetriebnahme sind Entlüftungsventile (siehe „c“ in Abbildung 5) im Wärmetauscher vorgesehen. Sie können durch Entfernen der unteren Abdeckung und des Einlassgitters zugänglich gemacht werden – siehe Abbildung 4. Ebenso kann der Rücklauf (siehe „d“ in Abbildung 5) durch Entfernen der unteren Abdeckung und des Einlassgitters zugänglich gemacht werden.

Modelle

Modell	Heizleistung kW	Spannungsversorgung	Stromaufnahme A	Gewicht kg	Max. Montagehöhe m
LÜFTUNG					
CAB10A	-	220-240V ~1/N/PE	0,3	15,5	2,7
CAB15A	-	220-240V ~1/N/PE	0,5	21,5	2,7
DAB10A	-	220-240V ~1/N/PE	1,5	21,5	4,0
DAB15A	-	220-240V ~1/N/PE	2,3	27,5	4,0
ELEKTRISCH BEHEIZT					
CAB10E	4,5 / 9,0	380-415V ~3/N/PE	14	20,5	2,7
CAB15E	6,75 / 13,5	380-415V ~3/N/PE	20	29	2,7
DAB10E	6,0 / 12,0	380-415V ~3/N/PE	18	26,5	4,0
DAB15E	9,0 / 18,0	380-415V ~3/N/PE	27	35	4,0
WASSERBEHEIZT (bei 82/71 °C)					
CAB10W	9,0	220-240V ~1/N/PE	0,3	17,7	2,7
CAB15W	13,5	220-240V ~1/N/PE	0,5	24,6	2,7
DAB10W	12,0	220-240V ~1/N/PE	1,5	24,7	4,0
DAB15W	18,0	220-240V ~1/N/PE	2,3	31,9	4,0

Die maximal zulässigen Werte für die Wasserversorgung betragen 125 °C und 8 bar.

Zur Vereinfachung der Installation kann der Wasseranschluss wahlweise an der linken oder rechten Seite des Gerätes erfolgen. Hierzu Wärmetauscher ausbauen und vorgestanzte Wasseranschlussöffnung entfernen. Anschließend Wärmetauscher in der benötigten Position einbauen. Diese Maßnahmen sollten vor der Installation durchgeführt werden.

Schalttafel-Installation

Der Anschlusskasten (Standard-Doppelausführung) sollte in eine geeignete Wand eingelassen werden. Der Kasten ist dabei so anzubringen, dass die Schalttafel bündig mit der Wand abschließt. Geeignete Kabelkanäle sind gegebenenfalls einzusetzen, um das Kabel zwischen der Heizung und dem Schalter fachgerecht zu verlegen. Ein 1:1 beschaltetes CAT5-Netzwerkkabel sollte zum Verbinden der Schalttafel mit der Platine in der Anlage benutzt werden.

Warnung: Das Kabel muss fest verlegt sein und die Kabelführung darf an keiner Stelle Kontakt mit dem Heizelement oder anderen beweglichen Teilen haben. Alle Schalterstellungen nach Abschluss der Installation prüfen.

Elektrisch geheizte Ausführungen

Betrieb mit einem Schaltkasten - CAB C5

Die Energieversorgung des Luftschleiers einschalten. Durch Drehen des Schalters die gewünschte Heizeinstellung wählen. Folgende Einstellungen stehen zur Verfügung:

AUS - Niedrige Lüfterstufe - Niedrige Lüfterstufe mit niedriger Heizleistung und hoher Lüfterleistung - Hohe Lüfterleistung und niedrige Heizleistung - Hohe Lüfterleistung und volle Heizleistung

Mit dem Kippschalter (automatisch/manuell) lässt sich ein Türschalter (sofern angebracht) manuell überbrücken. Durch manuelle Einstellung arbeitet die Anlage mit der gewünschten Einstellung, während über die Energiesparfunktion im Automatikbetrieb die Anlage bei geschlossener Tür abgeschaltet wird.

Die Anlage sollte immer über die Schaltkastensteuerung und nicht durch Unterbrechung der Netzstromversorgung abgeschaltet werden.

Wenn die Anlage (über den Schaltkasten) ausgeschaltet wird, läuft der Lüfter noch 1 Minute ohne Wärmeleistung weiter, um die Restenergie aus den Heizelementen entweichen zu lassen.

Beim ersten Einschalten führt die Steuerung eine Systemprüfung durch. Die gewählten Einstellungen sind nach 30 Sekunden erreicht und bleiben dauerhaft gespeichert.

Thermostatregelung (optional)

Durch den Einsatz eines einpoligen Bimetalls oder eines elektronischen Thermostats an den Anschlüssen, die unter „C“ in **Abb. 7** dargestellt sind, werden folgende Funktionen abhängig von der Heizschaltereinstellung aktiviert:



- Nur Lüfter - Kein weiterer Effekt



- Halbe Heizleistung - Statt Heizung läuft nur der Lüfter weiter



- Volle Heizleistung - Heizung regelt auf halbe Heizleistung herunter

Sicherheits-Überhitzungsschutz

Die Stromversorgung der Heizelemente wird über den Überhitzungsschutz unterbrochen, wenn folgenden Ursachen auftreten:

Lufteinlass oder Luftauslass sind blockiert.

Die interne Luftzirkulation ist durch Ansammlung von Staub und Fusseln beeinträchtigt.

Die Lüftermotor ist blockiert.

Um den Sicherheits-Überhitzungsschutz zurückzusetzen, die Taste „Reset“ (siehe Abbildung 9) drücken. Vor dem Zurücksetzen die Ursache für das Auslösen bestimmen und Maßnahmen zur Beseitigung ergreifen.

Türschaltersteuerung (elektrische Modelle)

Wenn ein Türschalter wie unter „D“ in Abbildung 7 angeschlossen wird, reagiert der Luftschleier wie folgt auf Türöffnungen:

- (1) Türöffnung aktiviert den Luftschleier mit den eingestellten Funktionen (Einstellungen am Bedienfeld).
- (2) Nach dem Schließen der Tür wird der Betrieb mit den eingestellten Funktionen für eine weitere Minute fortgesetzt.
- (3) Eine Minute nach dem Schließen der Tür wird der Luftschleier für 60 Sekunden auf ½ Wärme (wenn Wärmewahlschalter nicht auf 0-Stellung) bei niedriger Lüfterstufe betrieben.
- (4) Zwei Minuten nach dem Schließen der Tür wird der Luftschleier für 60 Sekunden ohne Wärme bei niedriger Lüfterstufe betrieben.
- (5) Nach 3 Minuten kehrt der Luftschleier in den Ruhestatus zurück, bis die Tür erneut geöffnet wird.

Wenn die Tür während dieser 3 Minuten erneut geöffnet wird, beginnt der Vorgang erneut wie unter (1) beschrieben.

Niederdruck-Warmwasserbeheizte/Kaltluftmodelle

Betrieb mit einem Schaltkasten - CAB C6

Die Energieversorgung des Luftschleiers einschalten. Durch Drehen des Schalters die gewünschte Heizeinstellung wählen. Folgende Einstellungen stehen zur Verfügung:

AUS - Niedrige Lüfterleistung - Hohe Lüfterleistung

Mit dem Kippschalter (automatisch/manuell) lässt sich ein Türschalter (sofern angebracht) manuell überbrücken. Durch manuelle Einstellung arbeitet die Anlage mit der gewünschten Einstellung, während über die Energiesparfunktion im Automatikbetrieb die Anlage bei geschlossener Tür abgeschaltet wird.

Die Anlage sollte immer über die Schaltkastensteuerung und nicht durch Unterbrechung der Netzstromversorgung abgeschaltet werden.

Beim ersten Einschalten führt die Steuerung eine Systemprüfung durch. Die gewählten Einstellungen sind nach 30 Sekunden erreicht und bleiben dauerhaft gespeichert.

Thermostatregelung (optional)

- 1) Ein Thermostat-Regelventil mit Fernfühler (nicht mitgeliefert) kann in den Wasserversorgungsleitungen montiert werden, um die Wärmeabgabe zu regulieren.
- 2) Im System kann außerdem ein elektrisch betätigtes 3-Wege-Magnetventil angeschlossen werden. Nehmen Sie die Kontaktdetails zur Hand, um weitere Einzelheiten bei Ihrer Kundenberatung zu erfragen.

Türschaltersteuerung (wasserbeheizte und Lüftungsmodelle)

Wenn ein Türschalter wie in Abbildungen 8 im Kreislauf integriert wird, reagiert der Luftschleier wie folgt auf Türöffnungen:

- (1) Türöffnung aktiviert den Luftschleier mit den eingestellten Funktionen (Einstellungen am Bedienfeld).
- (2) Nach dem Schließen der Tür wird der Betrieb mit den eingestellten Funktionen für eine weitere Minute fortgesetzt.
- (3) Eine Minuten nach dem Schließen der Tür wird der Luftschleier für 60 Sekunden bei niedriger Lüfterstufe betrieben.
- (4) Nach 2 Minuten kehrt der Luftschleier in den Ruhestatus zurück, bis die Tür erneut geöffnet wird.

Wenn die Tür während dieser 2 Minuten erneut geöffnet wird, beginnt der Vorgang erneut wie unter (1) beschrieben.

Schaltplan

CAB „E“ bzw. DAB „E“ – Elektrisch beheizte Modelle – siehe Abbildung 7

CAB „W“/„A“ bzw. DAB „W“/„A“ – Wasserbeheizte/Lüftungsmodelle – siehe Abbildung 8

- C - Thermostat
- D - Türschalter (optional)
- E - Sicherheitsabschaltung
- F - Elemente
- G - BMS-Schalter (optional) (S, S1, S2)
- M - Motor

Fernbetrieb (Gebäudemanagementsystem)

Der Anschluss an ein Gebäudemanagementsystem ist möglich, so dass die Fernsteuerung des Luftschleiers zusammen mit weiteren Einrichtungen erfolgen kann.

Modulare Verbindung

Siehe Montageanweisung, die dem Verbindungsset beiliegt. Es können maximal 5 Module (ein Haupt- und vier Nebenmodule) installiert werden.

Verdeckte Installation

Siehe Montageanweisung, die dem Einbausatz für verdeckte Installation beiliegt.

Recycling



Für Elektrogeräte, die in der Europäischen Gemeinschaft verkauft wurden.

Kaputte Elektrogeräte dürfen nicht im Hausmüll entsorgt werden. Wenn möglich sollten sie recycelt werden. Informationen zu Recycling in Ihrem Land erhalten Sie von den örtlichen Behörden oder von Ihrem Händler.

Reinigung

ACHTUNG: Vor Wartungsarbeiten SPANNUNGSVERSORGUNG TRENNEN.

Das Gerät kann von außen durch Abwischen mit einem feuchten Tuch gereinigt werden. Verschmutzungen mit leichter Seifenlauge entfernen und Gerät anschließend abtrocknen. Darauf achten, dass keine Feuchtigkeit in das Gerät eindringt! Staubansammlungen können von außen mit einem Staubsauger abgesaugt werden.

Kundendienst

Wenn Sie den Kundendienst benötigen oder Ersatzteile bestellen möchten, bitte den Händler kontaktieren, von dem das Gerät erworben wurde, oder die für Ihr Land zutreffende Kundendienst-Telefonnummer auf dem Garantieschein anrufen. Ein fehlerhaftes Produkt bitte zunächst nicht an uns zurücksenden, da dies Verlust oder Beschädigungen des Produkts zur Folge haben sowie die Bereitstellung einer angemessenen Kundendienstleistung verzögern könnte. Bitte bewahren Sie Ihre Quittung als Kaufnachweis auf.

Barrières thermiques compactes Dimplex

Modèles : CAB10E, CAB15E, CAB10W, CAB15W, CAB10A et CAB15A
DAB10E, DAB15E, DAB10W, DAB15W, DAB10A et DAB15A

IMPORTANT : LIRE ATTENTIVEMENT CES INSTRUCTIONS ET LES CONSERVER SOIGNEUSEMENT POUR UNE CONSULTATION ULTÉRIEURE

CONSIGNES DE SÉCURITÉ IMPORTANTES

NE PAS COUVRIR NI OBSTRUER la grille d'admission ou de sortie d'air.

S'ASSURER QUE L'APPAREIL EST RELIÉ À LA TERRE.

Ne pas utiliser cet appareil de chauffage dans un endroit très poussiéreux.

Cet appareil de chauffage ne doit pas être placé juste au-dessus ou en dessous d'une prise de courant ou d'un boîtier de connexion fixes.

Toujours débrancher l'alimentation électrique avant d'effectuer toute opération d'entretien sur ce produit.

L'emplacement final de l'appareil doit se situer à proximité d'une connexion de sortie adéquate du câblage électrique des locaux.

Ce produit doit être monté en toute sécurité sur un mur ou un plafond pleins uniquement.

Ne pas immerger ou pulvériser d'eau sur cet appareil.

S'assurer que l'intensité de courant admissible des câbles d'alimentation est adaptée et qu'ils sont protégés par un fusible adapté.

Dans des toilettes ou autre lieu d'aisance, le dispositif doit être monté de telle sorte qu'aucune pièce ne puisse être accessible par une personne utilisant une baignoire ou une douche fixées au sol.

Un sectionneur doit être installé à l'extérieur des toilettes ou autre lieu d'aisance, près de la porte d'entrée.

Cet appareil n'est pas conçu pour être utilisé par des personnes (y compris les enfants) ayant des capacités physiques, sensorielles ou mentales réduites, ou un manque d'expérience et de connaissance, sauf si elles sont surveillées ou si elles ont reçu des instructions concernant l'utilisation de l'appareil par une personne responsable de leur sécurité.

Cet appareil de chauffage n'est pas équipé d'un dispositif permettant de contrôler la température de la pièce. Ne pas utiliser cet appareil de chauffage dans de petites pièces lorsqu'elles sont occupées par des personnes se trouvant dans l'incapacité de quitter la pièce, sauf si une supervision constante est assurée.

AVERTISSEMENT : Isoler l'alimentation électrique de TOUTES les unités de connexion modulaire lors de la maintenance.

Modèles

Modèle	Puissance calorifique kW	Alimentation électrique	Charge électrique A	Poids kg	Poids maximal installé m
TEMPÉRATURE AMBIANTE / FROID					
CAB10A	-	220-240 V ~1PN	0,3	15,5	2,7
CAB15A	-	220-240 V ~1PN	0,5	21,5	2,7
DAB10A	-	220-240 V ~1PN	1,5	21,5	4,0
DAB15A	-	220-240 V ~1PN	2,3	27,5	4,0
CHAUFFAGE ÉLECTRIQUE					
CAB10E	4,5 / 9,0	380-415 V ~3PN	14	20,5	2,7
CAB15E	6,75 / 13,5	380-415 V ~3PN	20	29	2,7
DAB10E	6,0 / 12,0	380-415 V ~3PN	18	26,5	4,0
DAB15E	9,0 / 18,0	380-415 V ~3PN	27	35	4,0
CHAUFFAGE À L'EAU (à 82/71 °C – eau chaude à basse pression)**					
CAB10W	9,0	220-240 V ~1PN	0,3	17,7	2,7
CAB15W	13,5	220-240 V ~1PN	0,5	24,6	2,7
DAB10W	12,0	220-240 V ~1PN	1,5	24,7	4,0
DAB15W	18,0	220-240 V ~1PN	2,3	31,9	4,0

Installation électrique

L'installation de cet appareil doit être effectuée par un électricien compétent, conformément aux normes en vigueur dans votre pays concernant les câblages électriques.

Positions de fixation

Cet appareil peut être monté à un mur ou fixé à un plafond - voir la figure 3 pour connaître les différentes positions de fixation et les sections relatives au montage ci-dessous pour les instructions de fixation détaillées. Une distance minimale de 100 mm est nécessaire entre le haut de l'appareil et le plafond (voir élément « a », figure 1) ; de plus, la distance entre le bas de l'appareil et le haut de la porte doit être aussi minime que possible (voir élément « b », figure 1).

Montage mural

En se guidant par rapport au support de montage mural (voir figure 2), marquer les positions des trous sur le mur (une hauteur minimale de 2,0 mètres est requise entre le niveau du sol et le bas du support). Positionner le support de sorte que la sortie d'air des barrières d'air installées soit aussi proche que possible du haut de la porte, sans qu'elle ne soit bloquée une fois l'installation terminée.

Percer des trous dans les murs en béton ou en brique puis les boucher (vérifier que le support est à niveau à l'aide d'un niveau à bulle, voir « x », figure 2) à l'aide de mèches en fibre de calibre 8 Rawlplug. Les chevilles doivent être enfoncées dans la partie pleine du mur et pas simplement dans la couche de plâtre.

En cas de fixation sur des murs « à panneaux », le support mural doit être fixé au système à ossature murale à l'aide de vis en bois n°8 ou selon une méthode de fixation aussi solide.

Une fois le support mural installé, la barrière d'air peut être fixée comme indiqué à la figure 3a.

Montage au plafond

Le montage au plafond d'un produit peut être effectué à l'aide de chevilles filetétes introduites dans le panneau supérieur de la barrière d'air et d'une tige d'acier filetéte M8 adéquate ou de supports similaires de force suffisante ; voir figure 3b.

Branchement électrique

Tous les produits sont équipés d'une commande à microprocesseur. L'alimentation électrique et les connexions de commande sont effectuées comme indiqué à la figure 6. Un sectionneur local adapté doit être installé dans le circuit d'alimentation électrique, avec un écartement de 3 mm minimum à chaque pôle.

Déposer les grilles de sortie « x » et « y », figure 4) en détachant les attaches rapides et articulés les pièces moulées comme illustré. Déposer le panneau inférieur (« z », figure 4).

Tous les modèles électriques - Après avoir retiré la partie « défonçable » du panneau supérieur, insérer un câble d'alimentation approprié (voir « a », figure 6A) dans un presse-étoupe adéquat (non fourni) installé dans le panneau supérieur et le fixer au bloc de jonction (voir « b », figure 6A).

Tous les modèles chauffés à l'eau et à température ambiante - Après avoir retiré la partie « défonçable » du panneau supérieur, insérer un câble d'alimentation approprié (voir « a » sur la Fig. 6B) dans un presse-étoupe adéquat (non fourni) installé dans le panneau supérieur et le fixer au bloc de jonction (voir « b » sur la Fig. 6B).

Tous les modèles - Un câble pour panneau de commande (CAT5 ou équivalent) (réf. de kit - CAB5 pour les modèles à chauffage électrique ou CAB6 pour les modèles chauffés à l'eau ou à température ambiante) peut être inséré de la même façon dans le panneau supérieur et branché à la carte de circuit imprimé comme illustré sur les Fig. 6A et 6B. Pour utiliser l'appareil conjointement à un commutateur de porte, un commutateur normalement ouvert doit être raccordé au besoin, conformément aux Fig. 7 et 8.

Remarque : En cas d'utilisation d'un commutateur de porte, un câble à 2 conducteurs (basse tension) est nécessaire entre le commutateur de porte et les rideaux d'air.

Pour raccorder l'appareil à un système de gestion énergétique de bâtiment, effectuer les branchements comme indiqué sur les Fig. 7 et 8, selon les besoins. S'assurer que le rideau d'air est correctement fixé et que les câbles d'alimentation sont correctement attachés avant d'utiliser l'appareil.

Branchement à l'eau

Les modèles conçus pour être utilisés conjointement à une alimentation en eau chaude à basse pression doivent être branchés individuellement (en circuit parallèle) aux canalisations d'alimentation et de retour. Les branchements (voir « a », figure 5) sont les suivants. Les robinets d'isolement, ½ in. BSPT (série CAB) et ¾ in. BSPT (série DAB) (voir « b », figure 5) doivent être installés aussi près que possible des points de connexion de la barrière d'air. Pour la mise en service, des soupapes de purge d'air (voir « c », figure 5) sont installées sur le serpentin, lequel est accessible en retirant le panneau inférieur et la grille d'admission, voir figure 4. L'orifice de purge (voir « d », figure 5) est également accessible lorsque la grille et le panneau inférieur sont déposés.

Les conditions maximales d'alimentation en eau sont de 125 °C et 8 bar.

Pour faciliter l'installation, les connexions du serpentin d'eau peuvent être déplacées sur le côté de l'appareil. Après avoir retiré le serpentin d'eau et les parties défonçables, le serpentin d'eau peut être de nouveau inséré dans le sens souhaité. Suivre cette procédure avant de monter l'appareil.

Mise en place du panneau de commande

Le boîtier de support (à double commande standard) doit être fixé à un mur adapté. Le boîtier doit être fixé de façon à ce que le panneau de commande soit encastré dans le mur. Le cas échéant, utiliser un tube protecteur pour isoler le câble entre l'appareil de chauffage et le commutateur. Un câble CAT5 LAN avec connexions intermédiaires doit être utilisé pour connecter le panneau de commande au bloc de jonction de l'appareil.

Avertissement : S'assurer que le câble est bien fixé et n'entre pas en contact avec un élément de l'appareil de chauffage ou d'autres pièces mobiles. Vérifier tous les réglages des commandes une fois l'installation terminée.

Différents appareils chauffés électriquement

Activés par boîtier de commande - CABC5

Activer l'alimentation électrique du rideau d'air. Mettre le commutateur sur le réglage de chaleur souhaité. Les réglages disponibles sont les suivants :

ARRET - Vitesse de ventilateur lente - Vitesse de ventilateur lente avec faible puissance et

Vitesse de ventilateur rapide - Vitesse de ventilateur rapide avec faible puissance - Vitesse de ventilateur rapide avec pleine puissance

L'interrupteur à bascule (auto / manuel) permet de contourner manuellement la commande de porte, si elle est présente sur l'appareil. Le mode manuel permet à l'appareil de fonctionner au réglage souhaité, tandis que le mode auto permet d'économiser de l'énergie en coupant l'appareil lorsque la porte est fermée.

L'appareil doit toujours être éteint à l'aide de l'interrupteur du boîtier de commande et non pas en coupant l'alimentation secteur.

Lorsque l'appareil est éteint (à l'aide du boîtier de commande), le ventilateur tourne pendant une minute sans chaleur pour dissiper l'énergie résiduelle des éléments chauffants. Au début de chaque session, la commande effectue une vérification du système. Les réglages sélectionnés seront atteints et maintenus au bout d'une période de 30 secondes.

Régulateur thermostatique (en option)

L'intégration d'un thermostat électronique ou bimétallique unipolaire dans les branchements, conformément à « C » sur la Fig. 7, permet de disposer de la fonctionnalité suivante selon le réglage de la commande de chaleur.



- Ventilateur uniquement - Pas d'effet



- Chauffage moyen - L'appareil passe en mode Ventilateur uniquement



- Pleine puissance de chauffage - L'appareil passe en mode Chauffage moyen

Coupe-circuits thermiques

L'alimentation électrique des éléments chauffants est interrompue si l'un des problèmes suivants est détecté :

1. Les grilles d'admission ou de sortie d'air sont bouchées.
2. La ventilation interne est entravée par une accumulation de poussière et de peluches.
3. Le ventilateur cale.

Pour réinitialiser les coupe-circuits thermiques, accéder aux boutons de réinitialisation, comme indiqué à la figure 9. Avant d'effectuer la réinitialisation, déterminer la raison du déclenchement des coupe-circuits et entreprendre une mesure corrective.

Commande de porte (modèles électriques)

Avec l'intégration d'une commande de porte dans le circuit, comme indiqué à l'élément « D », figure 7, la barrière d'air répond à l'ouverture de la porte de la façon suivante :

- (1) L'ouverture de la porte active la barrière d'air aux conditions déterminées (réglages du boîtier de commande).
- (2) Une fois la porte fermée, l'appareil continue à fonctionner aux conditions déterminées pendant 1 minute.
- (3) 1 à 2 minutes après la fermeture de la porte, le fonctionnement au ralenti, le chauffage partiel (si le chauffage a été sélectionné) et le fonctionnement partiel du ventilateur se réactivent.
- (4) 2 à 3 minutes après la fermeture de la porte, seul le cycle d'arrêt du ventilateur (fonctionnement partiel) s'enclenche.
- (5) Au bout de 3 minutes, la barrière d'air revient à l'état de veille jusqu'à ce que la porte soit ouverte à nouveau.
Si la porte est réouverte pendant ce cycle de 3 minutes, le processus reprend à l'étape (1).

Différents appareils chauffés à l'eau chaude à basse pression / à température ambiante (ventilateur uniquement)

Activés par boîtier de commande - CABC6

Activer l'alimentation électrique du rideau d'air. Mettre le commutateur sur le réglage de chaleur souhaité. Les réglages disponibles sont les suivants :

ARRET - Vitesse de ventilateur lente - Vitesse de ventilateur rapide

L'interrupteur à bascule (auto / manuel) permet de contourner manuellement la commande de porte, si elle est présente sur l'appareil. Le mode manuel permet à l'appareil de fonctionner au réglage souhaité, tandis que le mode auto permet d'économiser de l'énergie en coupant l'appareil lorsque la porte est fermée.

L'appareil doit toujours être éteint à l'aide de l'interrupteur du boîtier de commande et non pas en coupant l'alimentation secteur.

Au début de chaque session, la commande effectue une vérification du système. Les réglages sélectionnés seront atteints et maintenus au bout d'une période de 30 secondes.

Régulateur thermostatique (en option)

1) Un régulateur thermostatique équipé d'un voyant de détection à distance (non fourni) peut être installé dans la canalisation d'alimentation en eau pour réguler la sortie de chaleur.

2) Une électrovanne à 3 ports peut également être raccordée au système. Pour de plus amples informations, consulter le réparateur dont les coordonnées sont indiquées.

Commande de porte (modèles chauffés à l'eau / température ambiante)

Avec l'intégration d'une commande de porte dans le circuit, comme indiqué à la figure 8, la barrière d'air répond à l'ouverture de la porte de la façon suivante :

- (1) L'ouverture de la porte active la barrière d'air aux conditions déterminées (réglages du boîtier de commande).
- (2) Une fois la porte fermée, l'appareil continue à fonctionner aux conditions déterminées pendant 1 minute.
- (3) 1 à 2 minutes après la fermeture de la porte, le fonctionnement partiel du ventilateur est activé.
- (4) Au bout de 2 minutes, le rideau d'air revient à l'état de veille jusqu'à ce que la porte soit ouverte à nouveau.

Si la porte est réouverte pendant ce cycle de 2 minutes, le processus reprend à l'étape (1).

Schémas de câblage

CAB et DAB « E » – Modèles électriques - voir figure 7

CAB et DAB « W » et « A » – Modèles chauffés à l'eau / température ambiante - voir figure 8

C -	Thermostat
D -	Commutateur de porte (en option)
E -	Circuit des coupe-circuits thermiques
F -	Éléments
G -	Commutateurs du système de gestion énergétique du bâtiment (en option) (S, S1, S2)
M -	Moteur

Fonctionnement à distance (Système de gestion énergétique du bâtiment)

Il est possible de connecter le système de gestion énergétique du bâtiment de sorte à pouvoir commander la barrière thermique à distance, conjointement avec d'autres équipements.

Connexion modulaire

Voir les instructions fournies avec le kit de connexion modulaire.

Installation encastrée

Voir les instructions fournies avec le kit d'installation encastrée.

Recyclage



Pour les produits électriques vendus au sein de l'Union Européenne. Les produits électriques ne doivent pas être mis au rebut avec les déchets ménagers lorsqu'ils arrivent en fin de vie. Les recycler dans les endroits prévus à cet effet. Contacter votre administration locale ou revendeur pour connaître la procédure de recyclage de votre pays.

Nettoyage

AVERTISSEMENT : DÉCONNECTER l'alimentation secteur avant d'effectuer toute opération d'entretien.

L'extérieur de l'appareil peut être nettoyé de temps à autre avec un chiffon humide ; pour éliminer les taches, appliquer une solution légèrement savonneuse à l'aide d'un torchon et essuyer. Faire preuve de prudence pour empêcher toute humidité de pénétrer dans le produit.

Service après-vente

Pour solliciter le service après-vente ou se procurer des pièces détachées, contacter le vendeur de l'appareil ou le service d'assistance du pays désiré au numéro indiqué sur le bon de garantie.

Ne pas nous retourner un appareil défectueux sans nous avoir averti au préalable car celui-ci risquerait de se perdre ou de subir des dommages durant le transport ; le délai requis pour offrir un service satisfaisant à l'utilisateur en serait inévitablement affecté.

Conserver soigneusement la facture en guise de preuve d'achat.

Barreras de aire compactas Dimplex

Modelos: CAB10E, CAB15E, CAB10W, CAB15W, CAB10A y CAB15A
DAB10E, DAB15E, DAB10W, DAB15W, DAB10A y DAB15A

IMPORTANTE: ESTAS INSTRUCCIONES DEBEN LEERSE ATENTAMENTE Y CONSERVARSE PARA FUTURAS CONSULTAS

AVISO DE SEGURIDAD IMPORTANTE

NO CUBRA NI OBSTRUYA la entrada de aire o la rejilla de salida.

COMPRUEBE QUE EL APARATO ESTÉ PUESTO A TIERRA.

No utilice este calentador en zonas de mucho polvo.

Este calentador no debe situarse inmediatamente por encima o por debajo de un tomacorrientes fijo o de una caja de conexiones.

Desconecte siempre la alimentación antes de manipular el producto.

Es necesario instalar una terminación adecuada en el cableado fijo de la estancia al lado de la ubicación definitiva del aparato.

Este producto debe montarse de manera segura, únicamente en superficies macizas de paredes o techos.

Este producto no debe rociarse con agua ni sumergirse en agua.

Compruebe que los cables de alimentación tengan la capacidad adecuada y estén protegidos por un fusible apropiado.

La instalación del aparato en un lavabo o servicio deberá efectuarse de modo que quien utilice un baño o una ducha fija no pueda tocar ninguna parte del mismo.

La instalación del aparato en un lavabo o servicio requiere el montaje de un interruptor aislador fuera del lavabo o servicio y junto a la puerta de entrada.

Este aparato no debe ser utilizado por personas (ni por niños) cuyas aptitudes físicas, sensoriales o mentales estén mermadas, ni por personas que carezcan de la experiencia y los conocimientos necesarios, a menos que estén supervisados o instruidos en el uso del aparato por una persona que se responsabilice de su seguridad.

Este calefactor no está provisto de dispositivos de control de la temperatura ambiente. No utilice este calefactor en espacios reducidos ocupados por personas que no sean capaces de abandonar el lugar, a menos que exista supervisión constante.

ADVERTENCIA: Aísle la alimentación eléctrica de TODAS las unidades modulares enlazadas cuando lleve a cabo operaciones de mantenimiento.

Posiciones de fijación

Este aparato puede montarse en una pared o fijarse en un techo; vea en la figura 3 las diversas posiciones de fijación y las secciones de "Montaje" para obtener los detalles de la fijación. Entre la parte superior del aparato y el techo debe haber una separación mínima de 100 mm (vea 'a' en la figura 1) y la distancia entre la parte inferior del aparato y la parte superior de la puerta deberá ser la mínima posible (vea 'b' en la figura 1).

Montaje mural

Utilizando como guía el soporte de montaje mural (vea la figura 2), marque en la pared las posiciones de los orificios (se necesita una altura mínima de 2,0 m entre el nivel del suelo y la parte inferior del soporte). Coloque el soporte de manera que la salida de aire de las barreras de aire instaladas quede lo más cerca posible de la parte superior del marco de la puerta, pero sin que se obstruya cuando se complete la instalación.

Una vez perforadas las paredes de ladrillo macizo o de hormigón (utilizando un nivel de burbuja de aire como guía - vea 'x' en la figura 2 - para que el soporte quede nivelado), instale tacos de fibra plástica del número 8. Los tacos deben superar la capa de yeso y penetrar en la parte maciza del muro.

Cuando la fijación se efectúe en paredes entramadas, el soporte mural deberá sujetarse al entramado con tirafondos del número 8 o mediante cualquier otro procedimiento que sea igualmente seguro.

Una vez montado el soporte mural, la barrera de aire puede colocarse en su lugar como se aprecia en la figura 3a.

Montaje en techo

Utilizando inserciones roscadas en el panel superior de la barrera de aire, la fijación a un techo por encima del producto puede efectuarse con una varilla roscada adecuada de acero M8 u otros soportes similares de resistencia suficiente (vea la figura 3b).

Conexión eléctrica

Todos los productos cuentan con un control por microprocesador. Las conexiones de alimentación y control se efectúan como se indica en la figura 6. El circuito de alimentación eléctrica debe incorporar un interruptor aislador local de características adecuadas y con una separación mínima de 3 mm entre polos.

Retire las rejillas de salida ('x' e 'y' de la figura 4), soltando para ello las sujeciones de liberación rápida y haciendo girar los moldes como en la ilustración. Retire el panel inferior ('z' en la figura 4).

Todos los modelos eléctricos: Después de retirar una 'pieza desmontable' del panel superior, introduzca un cable de alimentación apropiado (vea 'a' en la figura 6A) por un casquillo de características adecuadas (que no se incluye) instalado en el panel superior y fíjelo al bloque de terminales (vea 'b' en la figura 6A).

Todos los modelos de calefacción por agua y calefacción ambiental: Una vez retirado el orificio ciego del panel superior, pase un cable de alimentación adecuado (consulte 'a' en la Fig. 6B) por el prensacables correspondiente (no incluido) colocado en el panel superior y conéctelo al circuito impreso (consulte 'b' en la Fig. 6B).

Todos los modelos: De modo similar, puede pasar un cable adecuado (CAT5 o equivalente) para un panel interruptor (ref. del equipo: CAB5 en los modelos de calefacción eléctrica o CAB6 en los modelos de calefacción por agua y calefacción ambiental) por el panel superior y conectarlo al circuito impreso como se muestra en la Fig. 6A y 6B. Si la unidad va a funcionar junto con un interruptor para la puerta, debe conectarse un interruptor normalmente abierto tal como se indica en las Fig. 7 y 8 según corresponda.

Advertencia: Si se utiliza un interruptor para la puerta, se necesita un cable adicional de dos núcleos (de bajo voltaje) entre el interruptor de la puerta y las barreras de aire.

Si la unidad se va a conectar a un sistema de control integrado, las conexiones se realizarán tal como se indica en las Fig. 7 y 8 según corresponda. Asegúrese de que la cortina de aire se encuentre bien fijada en la posición deseada y de que los cables de alimentación estén correctamente asegurados antes de encender el aparato.

Conexión del suministro de agua

Los modelos diseñados para trabajar con agua caliente a baja presión deberán conectarse individualmente (en un circuito paralelo) a las tuberías de alimentación y retorno. Las conexiones (vea 'a' en la figura 5) son: deberán instalarse tubos con rosca de 1/2" BSPT (serie CAB) o de 3/4" BSPT (serie DAB) y válvulas de aislamiento (vea 'b' en la figura 5) lo más cerca posible de los puntos de conexión de la barrera de aire. Para la puesta en servicio se instalan válvulas de purga de aire (vea 'c' en la figura 5) en el serpentín, al que puede accederse previa retirada del panel inferior y de la rejilla de entrada (vea la figura 4). También puede accederse al desagüe (vea 'd' en la figura 5) previa retirada de la rejilla y el panel inferior.

La temperatura y presión máximas del agua son 125° C y 8 bar.

Para facilitar la instalación, las conexiones de la batería de agua se pueden mover a cualquiera de los lados del aparato. En primer lugar, retire la batería de agua y las piezas desmontables adecuadas; a continuación, podrá volver a introducir la batería de agua con la orientación que desee. Este procedimiento debe efectuarse antes de instalar el aparato.

Modelos

Modelo	Calor útil kW	Alimentación eléctrica	Carga eléctrica A	Peso kg	Altura máxima de instalación m
AMBIENTALES / CONSERVACIÓN DEL FRÍO					
CAB10A	n/a	220-240V ~1PN	0,3	15,5	2,7
CAB15A	n/a	220-240V ~1PN	0,5	21,5	2,7
DAB10A	n/a	220-240V ~1PN	1,5	21,5	4,0
DAB15A	n/a	220-240V ~1PN	2,3	27,5	4,0
CALENTADOS ELÉCTRICAMENTE					
CAB10E	4,5 / 9,0	380-415V ~3PN	14	20,5	2,7
CAB15E	6,75 / 13,5	380-415V ~3PN	20	29	2,7
DAB10E	6,0 / 12,0	380-415V ~3PN	18	26,5	4,0
DAB15E	9,0 / 18,0	380-415V ~3PN	27	35	4,0
CALENTADOS POR AGUA (a 82/71° C – Agua caliente a baja presión)**					
CAB10W	9,0	220-240V ~1PN	0,3	17,7	2,7
CAB15W	13,5	220-240V ~1PN	0,5	24,6	2,7
DAB10W	12,0	220-240V ~1PN	1,5	24,7	4,0
DAB15W	18,0	220-240V ~1PN	2,3	31,9	4,0

Requisitos eléctricos

La instalación de este aparato deberá efectuarla un electricista competente con arreglo a la normativa vigente del Instituto de Ingenieros Eléctricos (IEE).

Instalación del panel interruptor

La caja de apoyo (caja estándar de dos unidades) debe apoyarse en una pared adecuada. La caja debe colocarse de modo que el panel interruptor no sobresalga de la pared. Si es necesario, debe utilizarse el conducto pertinente para pasar el cable entre el calefactor y el interruptor. Debe utilizarse un cable CAT5 LAN de conexión directa para conectar el panel interruptor y el circuito impreso del aparato.

Advertencia: Compruebe que el cable esté bien fijado y que no entra en contacto con la resistencia del calefactor ni con otras piezas móviles. Una vez terminada la instalación, pruebe todas las posiciones del interruptor.

Variantes de la calefacción eléctrica

Funcionamiento con caja de interruptor: CABC5

Conecte la cortina de aire a la red eléctrica. Gire el interruptor hasta la posición deseada. Las posiciones posibles son:

APAGADO, Ventilador suave, Ventilador suave con calor suave y

Ventilador fuerte, Ventilador fuerte con calor suave y Ventilador fuerte con calor fuerte

El interruptor oscilante (automático / manual) permite la anulación manual del automatismo del interruptor de la puerta, si éste está colocado. La opción Manual permite seleccionar la potencia a la que funcionará el aparato, y la opción Automático (Auto) ofrece la posibilidad de ahorrar energía, apagando el aparato cuando la puerta esté cerrada.

La unidad siempre debe apagarse utilizando el control de la caja del interruptor, y no desenchufando el aparato.

Al apagar la unidad (en la caja del interruptor), el ventilador seguirá funcionando durante un minuto, sin emitir calor, para agotar la energía eléctrica que pueda quedar en los elementos del calefactor.

La primera vez que encienda el aparato se ejecutará una verificación del sistema. La opción seleccionada se alcanzará y se mantendrá tras un período de 30 segundos.

Termostato (opcional)

Si se coloca un termostato bimetalico de polo simple o electrónico en las conexiones, tal como se indica en 'C' en la Fig. 7, se añadirán las siguientes funciones, dependiendo de la posición del interruptor.



Sólo ventilador: sin efecto



Calor medio: el calefactor bajará hasta Sólo ventilador



Calor fuerte: el calefactor bajará hasta Calor medio

Disyuntores térmicos de seguridad

La alimentación eléctrica de los elementos calefactores se interrumpirá si se produce una o más de las siguientes anomalías:

1. Obstrucción de la entrada de aire o de las rejillas de salida.
2. Ventilación interna dificultada por acumulación de polvo y pelusa.
3. El soplador se atasca.

Para restaurar los disyuntores térmicos de seguridad, accione los pulsadores de restablecimiento que aparecen en la figura 9. Antes de efectuar el restablecimiento, es preciso averiguar la causa del fallo y corregirlo.

Mando del interruptor automático de puerta (modelos eléctricos)

Con la incorporación de un interruptor automático de puerta al circuito, como en "D" de la figura 7, la barrera de aire responderá como sigue cada vez que se abra la puerta:

- (1) La apertura de la puerta activará la barrera de aire en las condiciones predeterminadas (configuraciones de la caja de interruptores).
- (2) Cuando se cierre la puerta, la cortina de aire seguirá funcionando durante un minuto en las condiciones predeterminadas.
- (3) Entre uno y dos minutos después del cierre de la puerta se activará la inversión del ciclo, la ½ temperatura (si se ha seleccionado la temperatura) y la ½ velocidad del ventilador.
- (4) Transcurridos de dos a tres minutos, se iniciará el ciclo de desactivación de "sólo ventilador" (½ velocidad).
- (5) A los tres minutos, la barrera de aire quedará en estado latente hasta que vuelva a abrirse la puerta.
Si la puerta vuelve a abrirse durante este ciclo de tres minutos, el sistema regresa a (1).

Variantes de agua caliente a baja presión / ambiental (sólo ventilador)

Funcionamiento con caja de interruptor: CABC6

Conecte la cortina de aire a la red eléctrica. Gire el interruptor hasta la posición deseada. Las posiciones posibles son:

APAGADO, Ventilador suave y Ventilador fuerte

El interruptor oscilante (automático / manual) permite la anulación manual del automatismo del interruptor de la puerta, si está colocado. La opción Manual permite seleccionar la potencia a la que funcionará el aparato, y la opción Automático (Auto) ofrece la posibilidad de ahorrar energía apagando el aparato cuando la puerta esté cerrada. La unidad siempre debe apagarse utilizando el control de la caja del interruptor, y no desenchufando el aparato.

La primera vez que encienda el aparato se ejecutará una verificación del sistema. La opción seleccionada se alcanzará y se mantendrá tras un período de 30 segundos.

Termostato (opcional)

1) Puede colocarse una válvula de regulación termostática con un bulbo a distancia (no incluido) en la tubería que abastece de agua al calefactor para regular la emisión de calor.

2) También puede conectarse una válvula solenoide eléctrica de tres puertos al sistema. Si desea más información, consulte los datos de contacto y póngase en contacto con el servicio de atención al cliente.

Mando del interruptor automático de puerta (modelos de agua y ambientales)

Con la incorporación de un interruptor automático de puerta al circuito, según se aprecia en la figura 8, la barrera de aire responderá como sigue cada vez que se abra la puerta:

- (1) La apertura de la puerta activará la barrera de aire en las condiciones predeterminadas (configuraciones de la caja de interruptores).
- (2) Cuando se cierre la puerta, la cortina de aire seguirá funcionando durante un minuto en las condiciones predeterminadas.
- (3) Entre uno y dos minutos después del cierre de la puerta se activará la inversión del ciclo de la ½ velocidad del ventilador.
- (4) A los dos minutos, la barrera de aire quedará en estado latente hasta que vuelva a abrirse la puerta.

Si la puerta se vuelve a abrir durante este ciclo de dos minutos, el sistema regresa a (1).

Esquemas de conexiones

CAB y DAB 'E' – Modelos eléctricos – vea la figura 7

CAB y DAB 'W' y 'A' – Modelos de agua (W) y ambientales (A) – vea la figura 8

C:	termostato
D:	interruptor de puerta (opcional)
E:	circuito de desconexión de seguridad
F:	elementos
G:	interruptores magnéticos equilibrados (opcionales) (S, S1, S2)
M:	motor

Funcionamiento a distancia (sistema gestor de la energía del edificio)

Es posible conectar la barrera de aire a sistemas gestores de la energía del edificio, para controlarla a distancia en combinación con otros equipos.

Conexión modular

Consulte las instrucciones facilitadas con el equipo de enlace modular.

Instalación empotrada

Consulte las instrucciones facilitadas con el equipo de instalación empotrada.

Reciclaje



Para productos eléctricos vendidos en la Comunidad Europea. Los productos eléctricos que han finalizado su vida útil no deben desecharse junto con la basura doméstica. Entréguelos para su reciclaje en instalaciones apropiadas. Consulte con las autoridades locales o su proveedor para obtener información acerca del reciclaje en su país.

Limpeza

ADVERTENCIA: DESCONECTE LA ALIMENTACIÓN antes de efectuar el mantenimiento.

El exterior del aparato puede limpiarse periódicamente con un paño húmedo; las manchas se eliminan pasando un paño humedecido en una solución jabonosa y secando después la superficie. Tenga cuidado de que no entre humedad en el aparato.

Servicio posventa

En caso de que necesite contactar con el servicio posventa o adquirir algún accesorio, póngase en contacto con el vendedor al que compró el aparato o llame al número de atención al cliente de su país que figura en la tarjeta de garantía.

No nos devuelva un producto defectuoso sin antes consultar con el servicio técnico, para evitar pérdidas o daños, y para que podamos ofrecerle un servicio satisfactorio lo antes posible.

Guarde el recibo como prueba de compra.

Compacte Dimplex-luchtgordijnen

Uitvoeringen: CAB10E, CAB15E, CAB10W, CAB15W, CAB10A, & CAB15A
DAB10E, DAB15E, DAB10W, DAB15W, DAB10A, & DAB15A

BELANGRIJK: LEES DE INSTRUCTIE ZORGVULDIG EN BEWAAR DEZE VOOR NASLAGDOELEINDEN

BELANGRIJK VEILIGHEIDSADVIES

Het luchtinlaat- of uitlaatrooster mag NIET WORDEN AFGEDEKT OF GEBLOKKEERD.

ZORG DAT HET APPARAAT GEAARDIS.

Gebruik deze verw warmer niet op een zeer stoffige locatie.

Plaats deze verw warmer niet pal boven of onder een vast stopcontact of aansluitkast.

Koppel altijd de netvoeding af voordat u aan het product gaat werken.

Er moet naast de uiteindelijke positie van het toestel een geschikte kabelafsluiting in de vaste bedrading van het pand worden bevestigd.

Dit product moet veilig worden gemonteerd, uitsluitend aan een stevige wand of plafond.

Besluit dit product niet met water en dompel het ook niet onder in water.

Controleer of de voedingskabels voldoende capaciteit hebben en door een passende zekering zijn beveiligd.

Als het apparaat in een toilet of badkamer wordt gemonteerd, mag het nergens aangeraakt kunnen worden door personen die een bad of een douche nemen.

Als het apparaat in een toilet of badkamer wordt gemonteerd, breng dan buiten de badkamer en naast de toegangsdeur een aan/uitschakelaar aan.

Dit apparaat is niet bedoeld voor gebruik door personen (met inbegrip van kinderen) met verminderde fysieke, sensorische of mentale vermogens of gebrek aan ervaring en kennis, tenzij zij onder toezicht staan of instructies hebben gekregen betreffende het gebruik van dit apparaat door een persoon die verantwoordelijk is voor hun veiligheid.

Deze verwarming is niet uitgerust met een toestel voor het regelen van de kamertemperatuur. Gebruik deze verwarming niet in kleine kamers als zich hierin personen bevinden die niet in staat zijn om de kamer te verlaten, tenzij er constant toezicht is.

WAARSCHUWING: Schakel bij het uitvoeren van onderhoudswerkzaamheden de elektriciteitstoevoer naar ALLE modulair geschakelde eenheden uit.

Bevestigingsposities

Dit apparaat kan aan een wand of plafond worden gemonteerd - zie Afb. 3 voor diverse bevestigingsposities en de paragrafen 'Wandmontage' en 'Plafondmontage' hierna, voor details over de montage. Een minimumafstand van 100 mm tussen de bovenzijde van het apparaat en het plafond (zie onder 'a' in Afb. 1) is vereist. Ook moet een minimumafstand worden aangehouden tussen de onderzijde van het apparaat en de bovenzijde van de deur (zie 'b' in Afb. 1).

Wandmontage

Gebruik de wandmontagesteun als sjabloon (zie Afb. 2) en markeer de gatposities op de wand (houd een minimumhoogte van 2,0 meter aan vanaf vloerniveau tot de onderzijde van de steun). Plaats de montagesteun zodanig dat de luchtuitlaat van het geïnstalleerde luchtgordijn zo dicht mogelijk nabij de bovenrand van de deur komt, maar deze na installatie niet blokkeert.

In muren van massief baksteen of beton moeten gaten worden geboord (gebruik een waterpas - zie 'x' in Afb. 2 - om te zorgen dat de steun horizontaal komt) waarin Nr. 8 pluggen worden aangebracht. De plug moet in het massieve gedeelte van de wand steken, niet alleen in de stucwerklaag.

Bevestig bij montage aan gipsplaat- of paneelwanden de wandmontagesteun aan het onderliggende regelwerk met Nr. 8 houtschroeven of bevestig deze op een andere en even veilige wijze.

Zodra de wandmontagesteun is aangebracht, kunt u het luchtgordijn op zijn plaats vastklemmen zoals getoond in Afb. 3a.

Plafondmontage

Door het gebruik van schroefinzetstukken in het bovenpaneel van het luchtgordijn kan het product aan het plafond erboven worden bevestigd met geschikt M8 stalen draadeind of soortgelijke bevestigingen die voldoende sterk zijn - zie Afb. 3b.

Elektrische aansluiting

Alle producten zijn uitgerust met een microprocessorgestuurd regelsysteem. Aansluitingen voor elektrische voeding en besturing worden gemaakt zoals getoond in Afb. 6. Een geschikte lokale hoofdschakelaar moet worden aangebracht in het elektrische voedingscircuit, met tenminste 3 mm speling rondom elke aansluitpool. Verwijder de uitlaatroosters ('x' en 'y' in Afb. 4) door zoals getoond de snelsluitingen los te maken en de panelen te scharnieren. Verwijder het onderpaneel ('z' in Afb. 4).

Alle elektrische uitvoeringen - Verwijder een 'uitbreekopening' in het bovenpaneel, haal een passende voedingskabel (zie 'a' in Afb. 6A) door een geschikte kabeldoorvoerder (niet meegeleverd) aangebracht in het bovenpaneel en bevestig de kabel aan het aansluitblok (zie 'b' in Afb. 6A).

Alle waterverwarme en omgevingsluchtmodellen - Na verwijdering van een 'doorslag' in het bovenste paneel, een geschikte voedingskabel (zie 'a' in Afb. 6B) invoeren via een geschikte kabeldoorvoerder (niet meegeleverd) aan het bovenpaneel en de kabel aan de printplaat bevestigen (zie 'b' in Afb. 6B).

Alle Modellen - Een geschikte kabel (CAT5 of gelijkwaardig) voor een schakel paneel (kit ref. - CAB5 voor elektrisch verwarme modellen of CAB6 voor waterverwarme/omgevingsluchtmodellen) kan op vergelijkbare wijze via het bovenpaneel worden aangesloten op de printplaat als getoond in Afb. 6A & 6B. Als het toestel moet worden bediend in combinatie met een deurschakelaar, dient een normale openschakelaar in het bedradingsschema te worden opgenomen als afgebeeld in Afb. 7 & 8.

Opmerking: Bij gebruik van een deurschakelaar is een aanvullende 2-kern (laag voltage) kabel vereist tussen de deurschakelaar en de luchtbarrières.

Als het toestel wordt aangesloten op een energiebeheersysteem voor gebouwen, dan dienen de aansluitingen te worden uitgevoerd als in Afb. 7 & 8. Zorg dat het luchtgordijn stevig op zijn plaats is bevestigd en dat de voedingskabels stevig zijn vastgeklemd vóór de ingebruikname van het apparaat.

Watertoevoer

Uitvoeringen die bedoeld zijn voor gebruik met een heetwatertoevoer op lage druk behoren afzonderlijk (in een parallel circuit) te worden aangesloten op de waterstroom- en terugvoerleidingen. Aansluitingen (zie 'a' in Afb. 5) zijn: ½" BSPT-schroefdraad (British Standard Pipe Thread) (CAB-serie) en ¾" BSPT-schroefdraad (DAB-serie); afsluiters (zie 'b' in Afb. 5) dienen zo dicht mogelijk bij de luchtgordijnaansluitpunten te worden aangebracht. Voor inbedrijfstelling zijn ontluchtingskleppen (zie 'c' in Afb. 5) aan het pijpsysteem gemonteerd, die toegankelijk zijn door het onderpaneel en het inlaatrooster te verwijderen - zie Afb. 4. De afvoer (zie 'd' in Afb. 5) is eveneens toegankelijk zodra rooster en onderpaneel zijn verwijderd.

Maximumwaarden voor watertoevoer zijn 125°C en 8 bar.

Om de installatie te vergemakkelijken, kunt u de verbindingen in het waterbuizensysteem aan weerszijden van het toestel plaatsen. Door het buizensysteem en de verwijderbare delen te verwijderen, kan het buizensysteem weer worden teruggeplaatst op de vereiste plaats. Deze procedure moet worden uitgevoerd voordat het toestel wordt gemonteerd.

Uitvoeringen

Uitvoering	Warmte-afgifte kW	Elektrische voeding	Elektrische belasting A	Gewicht kg	Maximum montage-hoogte m
OMGEVINGSTEMPERATUUR / GEKOELDE OPSLAG					
CAB10A	nvt	220-240V ~1PN	0,3	15,5	2,7
CAB15A	nvt	220-240V ~1PN	0,5	21,5	2,7
DAB10A	nvt	220-240V ~1PN	1,5	21,5	4,0
DAB15A	nvt	220-240V ~1PN	2,3	27,5	4,0
ELEKTRISCHE VERWARMING					
CAB10E	4,5 / 9,0	380-415V ~3PN	14	20,5	2,7
CAB15E	6,75 / 13,5	380-415V ~3PN	20	29	2,7
DAB10E	6,0 / 12,0	380-415V ~3PN	18	26,5	4,0
DAB15E	9,0 / 18,0	380-415V ~3PN	27	35	4,0
WATERVERWARMING (bij 82/71 °C - LPHW)					
CAB10W	9,0	220-240V ~1PN	0,3	17,7	2,7
CAB15W	13,5	220-240V ~1PN	0,5	24,6	2,7
DAB10W	12,0	220-240V ~1PN	1,5	24,7	4,0
DAB15W	18,0	220-240V ~1PN	2,3	31,9	4,0

Elektrisch

De installatie van dit apparaat moet worden uitgevoerd door een elektromonteur en in overeenstemming met de actuele IEE-regelgeving voor elektrische aansluitingen.

Installatie schakelpaneel

Het kastje (standaard gekoppelde indeling) dient te worden ingebouwd in een geschikte muur. Het kastje moet zo worden ingepast dat het schakelpaneel gelijk is met de muur. Waar van toepassing moet een geschikt kanaal worden aangebracht om de kabel tussen de verwarming en de schakelaar te leiden. Een CAT5 LAN kabel met 'straight through' verbindingen moet worden gebruikt om het schakelpaneel aan te sluiten op de printplaat van het apparaat.

Waarschuwing: Zorg ervoor dat de kabel stevig vastzit en dat het nergens in contact komt met elementen of bewegende delen van de verwarming. Test alle schakelaarinstellingen zodra de installatie is voltooid.

Elektrisch verwarmde uitvoeringen

Gebruik met schakelkast - CAB C5

Schakel de elektrische voeding naar het luchtgordijn aan. Draai de schakelaar naar de gewenste warmtestand. De beschikbare standen zijn;

UIT - Lage ventilator - Lage ventilator met lage warmte &

Hoge ventilator - Hoge ventilator met lage warmte - Hoge ventilator met volledige warmte

Met de wipschakelaar (automatisch / handmatig) kan de werking van een gemonteerde deurschakelaar handmatig worden geannuleerd. Met handmatig kunt u het apparaat laten werken op de gewenste instelling, terwijl automatisch zorgt voor een energiebesparingsfunctie door het apparaat uit te schakelen als de deur is gesloten. **Het apparaat moet altijd UIT worden geschakeld via de schakelkast en niet door de hoofdstroom van het apparaat te onderbreken.**

Als het apparaat is uitgeschakeld (via de schakelkast) zal de ventilator nog 1 minuut blijven werken om de nog aanwezige hitte van de verwarmingselementen af te voeren. Als het apparaat voor het eerst wordt aangezet, doorloopt dit een systeemtest. De geselecteerde instellingen worden bereikt en gehandhaafd na een periode van 30 seconden.

Thermostaatregeling (optie)

Door een éénpolige elektronische of bimetaalthermostaat aan te sluiten volgens 'C' in **Afb. 7** wordt de volgende functionaliteit beschikbaar, afhankelijk van de instelling van de verwarmingsschakelaar.



- Alleen ventilator - Geen effect



- Half warm - Verwarming vermindert uitsluitend tot ventilator



- Volledig warm - Verwarming vermindert tot halve warmte

Thermische beveiligingen

De voeding naar de verwarmingselementen wordt onderbroken als de volgende abnormale omstandigheden zich voordoen, afzonderlijk of in combinatie:

1. Luchtinlaat- of uitlaatroosters geblokkeerd.
2. Inwendige ventilatie verslechterd door stof- en pluisafzettingen.
3. Ventilatoreenheid slaat af.

Om de thermische beveiligingen terug te zetten, moeten de terugsteloetsen toegankelijk zijn zoals getoond in **Afb. 9**. Bepaal voordat u ze gaat terugstellen de oorzaak van activering en neem corrigerende maatregelen.

Werking met deurschakelaar (elektrische uitvoeringen)

Wanneer in het circuit een deurschakelaar wordt opgenomen volgens 'D' in **Afb. 7** reageert het luchtgordijn als volgt op het openen van deuren:

- (1) Openen van deur bekrachtigt het luchtgordijn volgens de instelcondities (schakelkastinstellingen).
- (2) Bij sluiten van deur blijven instelcondities nog 1 minuut langer van kracht.
- (3) Tussen 1 minuut en 2 minuten na sluiting deur activeert het afschakelproces ½ verwarming (als verwarming geselecteerd is) en ½ ventilator.
- (4) Tussen 2 minuten en 3 minuten activeert het afschakelproces alleen-ventilator (op ½ toerental).
- (5) Na 3 minuten gaat het luchtgordijn terug naar stand-by totdat de deur weer wordt geopend.

Als de deur binnen deze cyclus van 3 minuten opnieuw open gaat, begint het proces weer bij (1).

Heetwaterverwarming onder lage druk / Omgevingsluchtuitvoeringen (alleen ventilator)

Gebruik met schakelkast - CAB C6

Schakel de elektrische voeding naar het luchtgordijn aan. Draai de schakelaar naar de gewenste warmtestand. De beschikbare standen zijn;

UIT - Lage ventilator - Hoge ventilator

Met de wipschakelaar (automatisch / handmatig) kan de werking van een gemonteerde deurschakelaar handmatig worden geannuleerd. Met handmatig kunt u het apparaat laten werken op de gewenste instelling, terwijl automatisch zorgt voor een energiebesparingsfunctie door het apparaat uit te schakelen als de deur is gesloten. Het apparaat moet altijd UIT worden geschakeld via de schakelkast en niet door de hoofdstroom van het apparaat te onderbreken.

Als het apparaat voor het eerst wordt aangezet, doorloopt dit een systeemtest. De geselecteerde instellingen worden bereikt en gehandhaafd na een periode van 30 seconden.

Thermostaatregeling (optie)

1) Een thermostatische regelklep met een voeler op afstand (niet meegeleverd) kan in de watertoevoerleiding worden gemonteerd om de warmteafgifte te regelen.

2) Een elektrische 3-poort elektromagnetische klep kan ook worden aangesloten op het systeem. Neem contact op met uw servicevertegenwoordiger en gebruik de contactgegevens voor meer informatie.

Werking met deurschakelaar (water- & omgevingsluchtuitvoeringen)

Wanneer in het circuit zoals vereist een deurschakelaar wordt opgenomen zoals getoond in **Afb. 8**, reageert het luchtgordijn als volgt op het openen van deuren:

- (1) Openen van deur bekrachtigt het luchtgordijn volgens de instelcondities (schakelkastinstellingen).
- (2) Bij sluiten van deur blijven instelcondities nog 1 minuut langer van kracht.
- (3) Tussen 1 minuut en 2 minuten na sluiting deur, activeert het afschakelproces de ½ ventilatorsnelheid.
- (4) Na 2 minuten gaat het luchtgordijn terug naar stand-by totdat de deur weer wordt geopend.

Als de deur binnen deze cyclus van 2 minuten opnieuw opengaat, begint het proces weer bij (1).

Bedradingsschema's

CAB & DAB 'E' - Elektrische uitvoeringen - zie **Afb. 7**

CAB & DAB W' & 'A' - Water- & omgevingsluchtuitvoeringen - zie **Afb. 8**

C -	Thermostaat
D -	Deurschakelaar (optioneel)
E -	Onderbreekcircuit thermische beveiliging
F -	Elementen
G -	BMS-schakelaars (optioneel) (S, S1, S2)
M -	Motor

Bediening op afstand (BMS / BEMS)

Aansluiting op een energiebeheerssysteem voor gebouwen (BEMS: Building Energy Management Control System) is mogelijk; zodat dan het luchtgordijn op afstand kan worden bediend in samenhang met andere apparatuur.

Modulaire aansluiting

Raadpleeg de instructies die met de modulaire aansluitset zijn meegeleverd.

Verzonken installatie

Raadpleeg de instructies die met de verzonken installatieset zijn meegeleverd.

Recyclen



Voor elektrische producten verkocht binnen de Europese Unie. Na het verstrijken van de levensduur van elektrische producten mogen zij niet worden weggeworpen met het normale huisafval. Als er recycle-faciliteiten beschikbaar zijn, maak daar dan gebruik van. Neem contact op met de lokale overheidsinstanties of de winkel waar u het apparaat hebt gekocht voor informatie over recyclen.

Reiniging

WAARSCHUWING: SCHAKEL DE NETVOEDING UIT alvorens onderhoud uit te voeren.

Wrijf zo nu en dan schoon met een vochtige doek om het apparaat mooi te houden; breng voor het verwijderen van vlekken met een doek een mild zeepsopje aan en wrijf droog. Pas op en voorkom dat vocht het product kan binnendringen.

After sales-service

Als u na aankoop service nodig hebt of als u reserve-onderdelen wilt aanschaffen, neem dan contact op met de winkel waar u de kachel hebt gekocht of bel het servicenummer voor uw land dat op het garantiebewijs staat.

Stuur nooit meteen een kapotte kachel naar ons op omdat dit verlies of schade zou kunnen veroorzaken en u misschien langer op bevredigende service moet wachten. Bewaar de bon als bewijs van aankoop.

Barriere d'aria compatte Dimplex

**Modelli: CAB10E, CAB15E, CAB10W, CAB15W, CAB10A e CAB15A
DAB10E, DAB15E, DAB10W, DAB15W, DAB10A e DAB15A**

IMPORTANTE: LEGGERE ATTENTAMENTE LE ISTRUZIONI RIPORTATE DI SEGUITO E CONSERVARLE PER OGNI RIFERIMENTO FUTURO

IMPORTANTE RACCOMANDAZIONE DI SICUREZZA

NON COPRIRE O OSTRUIRE la griglia di ingresso o di uscita dell'aria.

ASSICURARSI CHE IL DISPOSITIVO SIA COLLEGATO A TERRA.

Non utilizzare il prodotto in ambienti molto polverosi.

Non collocarlo immediatamente sopra o sotto una presa di corrente fissa o una scatola di connessione.

Prima di effettuare lavori di riparazione o modifica del prodotto, scollegare sempre la corrente elettrica.

È necessario installare una terminazione adeguata al cablaggio fisso dell'edificio vicino al punto in cui viene collocata definitivamente l'apparecchiatura.

Per garantire la sicurezza, il prodotto deve essere montato solo su muri o soffitti massicci.

Non bagnare né immergere il prodotto.

Assicurarsi che i fili della corrente siano in grado di condurre il carico di corrente esatta e siano protetti da fusi appropriati.

Se il dispositivo si trova in un gabinetto o in una sala da bagno, esso dovrà essere montato in modo tale che nessuna delle sue parti possa essere toccata da una persona nell'atto di fare un bagno o una doccia.

Se il dispositivo è montato in un gabinetto o in una sala da bagno, è necessario installare un sezionatore all'esterno di detti ambienti, di fianco alle rispettive porte di ingresso.

L'apparecchio non è progettato per essere utilizzato da bambini o da persone con disabilità motorie, sensoriali o mentali, o prive dell'esperienza e conoscenza necessarie, a meno che non siano supervisionati oppure abbiano ricevuto istruzioni sull'uso dell'apparecchio da una persona responsabile della loro incolumità.

Questo riscaldatore non è dotato di un dispositivo per il controllo della temperatura ambiente. Non utilizzare il prodotto in stanze piccole occupate da persone non in grado di evacuare il locale, a meno che non siano costantemente supervisionate.

AVVERTENZA: isolare l'alimentazione elettrica di **TUTTE** le unità modulari collegate durante gli interventi di manutenzione.

Posizioni di montaggio

Il dispositivo può essere montato sia a muro che a soffitto: vedi la Fig. 3 per le diverse posizioni e le sezioni relative al montaggio riportate di seguito per informazioni di montaggio dettagliate. È richiesta una distanza minima di 100 mm tra la cima del dispositivo e il soffitto (vedi 'a' in Fig. 1); inoltre, la distanza tra il fondo del dispositivo e la cima della porta deve essere minore possibile (vedi 'b' in Fig. 1).

Montaggio a muro

Servendosi della staffa di montaggio a muro come guida (vedi Fig. 2), segnare le posizioni dei fori sulla parete (è richiesta una distanza minima di 2 metri tra il pavimento e il fondo della staffa). Collocare la staffa in modo che il velo d'aria in uscita dalla barriera installata sia il più vicino possibile alla cima della porta, restando al contempo libero da ostruzioni.

I muri massicci di mattoni o cemento devono essere trapanati (utilizzando una livella ad acqua come guida - vedi 'x' in Fig. 2 - per assicurarsi che la staffa sia perfettamente orizzontale) e dotati di elementi di fissaggio "rawlplug" n. 8. L'elemento di fissaggio deve situarsi nella parte massiccia del muro e non limitarsi al suo strato superficiale.

Nel caso in cui il montaggio avvenga su pareti a pannelli, la staffa deve essere attaccata ai montanti sottostanti, mediante viti da legno n. 8 o metodi di fissaggio alternativi ugualmente sicuri.

Una volta montata la staffa a muro, è possibile agganciare la barriera d'aria come mostrato in Fig. 3a.

Montaggio a soffitto

Utilizzando inserti filettati nel pannello superiore della barriera d'aria, è possibile montare il prodotto a soffitto con l'impiego di un'ideale asta di acciaio filettata M8 o supporti simili sufficientemente resistenti (vedi Fig. 3b).

Connessione elettrica

Tutti i prodotti sono dotati di un comando a microprocessori. Le connessioni alla corrente elettrica e ai comandi vanno eseguite come mostrato in Fig. 6. È necessario che il circuito elettrico sia dotato di un idoneo sezionatore locale con almeno 3 mm di spazio libero in corrispondenza di ciascun polo.

Per accedere alle connessioni elettriche, rimuovere le griglie di scarico ("x" e "y" nella figura 4) rilasciando la chiusura rapida e apporre le cerniere allo stampo come indicato. Rimuovere il pannello inferiore ("z" nella figura 4) e la piastra di pressione ("w" nella figura 4).

Tutti i modelli con riscaldamento elettrico - Dopo aver aperto un preforo nel pannello superiore, inserirvi un cavo elettrico appropriato (vedi 'a' in Fig. 6A), protetto da una guarnizione (non in dotazione) in corrispondenza del pannello superiore, e collegarlo alla morsettiera (vedi 'b' in Fig. 6A).

Per i modelli riscaldati ad acqua e a temperatura ambiente - Dopo aver aperto un preforo nel pannello superiore, inserirvi un cavo elettrico appropriato (v. 'a' in Fig. 6B), protetto da una guarnizione (non in dotazione) in corrispondenza del pannello superiore e collegarlo alla PCB (v. 'b' in Fig. 6B).

Per tutti i modelli - Allo stesso modo è possibile inserire nel pannello superiore un cavo idoneo (CAT5 o equivalente) per un pannello interruttori (kit rif. CAB5 per modelli riscaldati a elettricità o CAB6 per modelli riscaldati ad acqua/a temperatura ambiente) e collegarlo al circuito stampato come mostrato nelle **Figg. 6A e 6B**. Se l'unità deve essere azionata assieme a un interruttore a porta, un interruttore normalmente aperto deve essere cablato come illustrato nelle **figure 7 e 8** (a seconda dei modelli).

Nota: Se si usa un interruttore a porta, è necessario un ulteriore cavo a due conduttori (bassa tensione) fra l'interruttore a porta e le barriere d'aria.

Se l'unità viene collegata a un Building Energy Management System (BEMS - sistema di gestione delle prestazioni energetiche di un edificio) i collegamenti devono essere effettuati come illustrato nelle **Figg. 7 e 8** (a seconda dei modelli). Prima di azionare l'apparecchio, accertarsi che la barriera d'aria sia fissata saldamente in posizione e che i cavi elettrici siano agganciati saldamente.

Collegamento all'impianto di acqua calda

I modelli funzionanti con impianto di acqua calda a bassa pressione devono essere collegati individualmente (in un circuito parallelo) alle tubature a corrente di ritorno. Per ciò che concerne i raccordi (vedi 'a' in Fig. 5), la filettatura standard inglese BSPT 1/2" (serie CAB) e BSPT 3/4" (serie DAB) e le valvole di isolamento (vedi 'b' in Fig. 5) devono essere montate il più vicino possibile ai punti di raccordo della barriera d'aria. Per la messa in servizio, valvole di spurgo dell'aria vengono montate alla serpentina (vedi 'c' in Fig. 5), alla quale si ha accesso rimuovendo il pannello inferiore e la griglia di ingresso dell'aria (vedi Fig. 4). Anche il drenaggio (vedi 'd' in Fig. 5) è raggiungibile rimuovendo la griglia e il pannello inferiore.

La fornitura di acqua può raggiungere la condizione massima di 125 °C e 8 bar.

Per semplificare l'installazione, i collegamenti della batteria ad acqua si possono spostare su un lato dell'apparecchiatura. Rimuovendo la batteria ad acqua e le parti smontabili è possibile reinserire la batteria secondo l'orientazione necessaria. Questa procedura va eseguita prima di montare l'apparecchiatura.

Modelli

Modello	Calore emesso kW	Corrente elettrica	Carico elettricità A	Peso Kg	Max altezza d'installazione m
TEMPERATURA AMBIENTE/BASSE TEMPERATURE					
CAB10A	nd	220-240V ~1PN	0,3	15,5	2,7
CAB15A	nd	220-240V ~1PN	0,5	21,5	2,7
DAB10A	nd	220-240V ~1PN	1,5	21,5	4
DAB15A	nd	220-240V ~1PN	2,3	27,5	4
RISCALDAMENTO AD ELETRICITÀ					
CAB10E	4,5 / 9	380-415V ~3PN	14	20,5	2,7
CAB15E	6,75 / 13,5	380-415V ~3PN	20	29	2,7
DAB10E	6 / 12	380-415V ~3PN	18	26,5	4
DAB15E	9 / 18	380-415V ~3PN	27	35	4
RISCALDAMENTO AD ACQUA (a 82/71 °C - LPHW)**					
CAB10W	9	220-240V ~1PN	0,3	17,7	2,7
CAB15W	13,5	220-240V ~1PN	0,5	24,6	2,7
DAB10W	12	220-240V ~1PN	1,5	24,7	4
DAB15W	18	220-240V ~1PN	2,3	31,9	4

Elettricità

L'installazione del dispositivo deve essere effettuata da un elettricista competente e in conformità ai regolamenti vigenti in materia di cablaggio IEE.

Installazione pannello interruttori

La scatola di rivestimento posteriore (doppio accoppiamento standard) deve essere montata su di una parete adeguata. La scatola deve essere installata in modo che il pannello degli interruttori risulti a filo con la parete. Ove possibile si raccomanda di far passare i cavi di collegamento tra riscaldatore e interruttore. Per collegare il pannello interruttori alla PCB dell'apparecchiatura deve essere usato un cavo LAN CAT5 con collegamento diretto.

Avvertenza: Accertarsi che il cavo sia fissato e che il percorso del cavo non venga in contatto con il riscaldatore o altri componenti mobili. A installazione completata, testare tutte le impostazioni degli interruttori.

Varianti riscaldate elettricamente

Funzionamento mediante scatola interruttori - CABC5

Collegare la barriera d'aria alla corrente elettrica. Ruotare l'interruttore fino a raggiungere l'impostazione di riscaldamento desiderata. Le impostazioni disponibili sono:

OFF - Ventola bassa - Ventola bassa con riscaldamento basso e

Ventola alta - Ventola alta con riscaldamento basso - Ventola alta con riscaldamento al massimo

L'interruttore A/M (automatico/manuale) consente di neutralizzare manualmente l'interruttore a porta, se presente. La posizione su manuale consente al dispositivo di funzionare all'impostazione desiderata, mentre la posizione su automatico permette un funzionamento a risparmio energetico che consiste nello spegnimento del dispositivo a porta chiusa.

L'unità deve sempre essere spenta usando la scatola interruttori, e mai interrompendo la distribuzione di corrente elettrica.

Quando l'unità viene spenta (tramite la scatola interruttori) la ventola continua a funzionare per 1 minuto, senza riscaldare, per scaricare l'energia residua dagli elementi riscaldanti.

All'accensione, viene eseguito un controllo del sistema. Le regolazioni selezionate vengono raggiunte e mantenute dopo 30 secondi.

Comando termostatico (opzionale)

Dotando le connessioni di un termostato monopolare bimetallico o elettronico, collegato come indicato da 'C' in Fig. 7, si dispone della seguente funzionalità che dipende dalla regolazione dell'interruttore.



- Solo ventola - Nessun effetto



- Riscaldamento medio - Il riscaldamento si ridurrà a Solo ventola



- Riscaldamento massimo - Il riscaldamento si ridurrà al livello medio

Interruttori di sicurezza termici

La corrente elettrica viene esclusa dagli elementi riscaldanti qualora si verifichi uno o più dei seguenti casi:

1. Le griglie di ingresso o uscita dell'aria sono ostruite.
2. La ventilazione interna è danneggiata da un accumulo di polvere e lanugine.
3. Il ventilatore si spegne.

Per resettare gli interruttori di sicurezza termici, utilizzare i pulsanti per il reset, come illustrato in Fig. 9. Prima di effettuare il reset, è necessario determinare la causa del problema e rettificarla.

Comando dell'interruttore a porta (modelli ad elettricità)

Dotando il circuito di un interruttore a porta, come indicato da 'D' in Fig. 7, la barriera d'aria risponde all'apertura della porta come segue:

- (1) L'apertura della porta attiva la barriera d'aria alle condizioni preimpostate (regolazioni della scatola interruttori).
- (2) Alla chiusura della porta, il funzionamento continua alle condizioni preimpostate ancora per 1 minuto.
- (3) Da 1 a 2 minuti dalla chiusura della porta, si attiva il ciclo di arresto delle funzioni ½ calore (se selezionata) e ½ ventola.
- (4) Da 2 a 3 minuti dalla chiusura della porta, si attiva il ciclo di arresto della ventola (½ velocità).
- (5) Dopo 3 minuti la barriera d'aria è ferma, per riattivarsi alla successiva apertura della porta.

Se la porta si riapre nel corso di questi 3 minuti, il procedimento ricomincia da (1).

Varianti riscaldate ad acqua a bassa pressione/atte al mantenimento della temperatura ambiente (solo ventola)

Funzionamento mediante scatola interruttori - CABC6

Collegare la barriera d'aria alla corrente elettrica. Ruotare l'interruttore fino a raggiungere l'impostazione di riscaldamento desiderata. Le impostazioni disponibili sono:

OFF - Ventola bassa - Ventola alta

L'interruttore A/M (automatico/manuale) consente di neutralizzare manualmente l'interruttore a porta, se presente. La posizione su manuale consente al dispositivo di funzionare all'impostazione desiderata, mentre la posizione su automatico permette un funzionamento a risparmio energetico che consiste nello spegnimento del dispositivo a porta chiusa. L'unità deve sempre essere spenta usando la scatola interruttori, non staccando la corrente elettrica di alimentazione.

All'accensione, viene eseguito un controllo del sistema. Le regolazioni selezionate vengono raggiunte e mantenute dopo 30 secondi.

Comando termostatico (opzionale)

1) Una valvola di regolazione termostatica con un bulbo di rilevamento remoto (non in dotazione) può essere collocata nelle tubature dell'acqua, al fine di regolare l'emissione di calore.

2) Può essere collegata al sistema anche un'elettrovalvola a 3 vie. Contattare l'agente di zona per maggiori informazioni. Vedere di seguito i dettagli per i contatti.

Comando dell'interruttore a porta (modelli ad acqua o per il mantenimento della temperatura ambiente)

Dotando il circuito di un interruttore a porta come da Fig. 8, la barriera d'aria risponde all'apertura della porta come segue:

- (1) L'apertura della porta attiva la barriera d'aria alle condizioni preimpostate (regolazioni della scatola interruttori).
- (2) Alla chiusura della porta, il funzionamento continua alle condizioni preimpostate ancora per 1 minuto.
- (3) Da 1 a 2 minuti dalla chiusura della porta, si attiva il ciclo di arresto della funzione ½ ventola.
- (4) Dopo 2 minuti la barriera d'aria è ferma, per riattivarsi alla successiva apertura della porta.

Se la porta si riapre nel corso di questi 2 minuti, il procedimento ricomincia da (1).

Schemi di cablaggio

CAB & DAB 'E' – Modelli ad elettricità- vedi Fig. 7

CAB & DAB 'W' e 'A' – Modelli ad acqua e per il mantenimento della temperatura ambiente - vedi Fig. 8

C -	Termostato
D -	Interruttore a porta (opzionale)
E -	Circuito interruttore termico di sicurezza
F -	Elementi
G -	Interruttori BMS (opzionali) (S, S1, S2)
M -	Motore

Telecomando (BMS/BEMS)

È possibile eseguire una connessione con un sistema BEMS e telecomandare la barriera d'aria congiuntamente ad altre attrezzature.

Connessione modulare

Fare riferimento alle istruzioni fornite con il kit di connessione modulare.

Installazione da incasso

Fare riferimento alle istruzioni fornite con il kit di installazione da incasso.

Riciclaggio



Prodotti elettrici venduti nell'ambito della Comunità Europea. Quando i prodotti elettrici non sono più utilizzabili, non possono essere smaltiti assieme ai normali rifiuti domestici, bensì in apposite discariche. Per informazioni sui servizi di riciclaggio locali, rivolgersi all'amministrazione locale o al proprio rivenditore di fiducia.

Pulitura

AVVERTENZA: SCOLLEGARE LA CORRENTE ELETTRICA prima di eseguire opere di manutenzione.

Per tenere pulite le unità, è sufficiente passarvi sopra di tanto in tanto un panno umidito; per rimuovere possibili macchie, strofinare la superficie con un panno bagnato in una soluzione di acqua e poco sapone, quindi asciugare. È necessario evitare di far colare liquidi di alcun genere all'interno del prodotto.

Servizio di assistenza clienti

Per l'assistenza post-vendita o per l'acquisto di parti, rivolgersi al proprio rivenditore o al numero dell'assistenza del proprio paese indicato sulla garanzia.

Non restituire un prodotto difettoso senza aver prima contattato l'assistenza, onde evitare la perdita o il danneggiamento dello stesso e la conseguente impossibilità di fornire al cliente un servizio soddisfacente.

Conservare la ricevuta come prova d'acquisto.

Компактные воздушные завесы Dimplex

Модели: CAB10E, CAB15E, CAB10W, CAB15W, CAB10A и CAB15A
DAB10E, DAB15E, DAB10W, DAB15W, DAB10A и DAB15A

ВАЖНАЯ ИНФОРМАЦИЯ. ВНИМАТЕЛЬНО ПРОЧИТАЙТЕ ЭТИ ИНСТРУКЦИИ И СОХРАНИТЕ ИХ ДЛЯ ИСПОЛЬЗОВАНИЯ В БУДУЩЕМ

ВАЖНАЯ ИНФОРМАЦИЯ ПО ТЕХНИКЕ БЕЗОПАСНОСТИ

НЕ ЗАГОРАЖИВАЙТЕ И НЕ ЗАГРОМОЖДАЙТЕ втяжные и вытяжные воздухораспределительные решетки.

УБЕДИТЕСЬ В ТОМ, ЧТО ПРИБОР ЗАЗЕМЛЕН.

Не используйте этот нагреватель в местах с повышенным содержанием пыли в воздухе.

Не устанавливайте этот нагреватель выше или ниже штепсельных розеток или коммуникационных устройств в непосредственной близости от них.

Всегда отключайте питание прибора перед выполнением каких-либо работ по его обслуживанию.

Необходимо обеспечить соответствующую концевую заделку жесткой разводки в помещениях рядом с конечным местоположением устройства.

Этот прибор должен быть надежно прикреплен к твердой стене или твердому потолку.

Избегайте попадания брызг воды на прибор и погружения в его воду.

Убедитесь в том, что кабели питания имеют достаточную допустимую нагрузку по току и снабжены соответствующими предохранителями.

При использовании в туалете или умывальной комнате необходимо установить прибор вне досягаемости лиц, принимающих ванну или душ.

При использовании прибора в туалете или умывальной комнате его необходимо оборудовать разъемным устройством, установленным за пределами умывальной комнаты рядом с входной дверью.

Данный прибор не предназначен для использования людьми (включая детей) с ограниченными физическими или умственными способностями или имеющими недостаточные знаниями либо опыт в случае, если отсутствует контроль, или не проведен инструктаж по обращению с прибором лицом, ответственным за их безопасность.

Данный обогреватель не оснащен устройством контроля температуры в помещении. Не используйте обогреватель в малых помещениях, если в них находятся люди, которые не способны самостоятельно покинуть помещение, и не находятся под постоянным контролем.

ВНИМАНИЕ! При выполнении технического обслуживания отключите подачу электропитания на ВСЕ соединенные модульные приборы.

Электробезопасность

Установка этого прибора должна выполняться квалифицированным электриком в соответствии с текущими предписаниями Института инженеров по электротехнике (IEE) для монтажа электропроводки.

Выбор местоположения

Этот прибор можно монтировать на стене или прикреплять к потолку - см. способы монтажа прибора на рис. 3 и информацию по монтажу далее в разделах по монтажу. Расстояние между прибором и потолком должно составлять не менее 100 мм (см. "а" на рис. 1). Расстояние между нижней частью прибора и дверным проемом должно быть минимальным (см. "b" на рис. 1).

Монтаж на стене

На основании положения настенного монтажного кронштейна (см. рис. 2) выполните разметку отверстий на стене (минимальная высота от уровня пола до нижней части кронштейна должна составлять 2,0 метра). Расположите кронштейн таким образом, чтобы вытяжное отверстие установленных воздушных завес находилось как можно ближе к верхнему краю дверного проема и оставалось открытым после завершения установки.

Просверлите отверстия в твердой кирпичной или бетонной кладке (выровняв кронштейн с помощью спиртового уровня - см. "x" на рис. 2) и вставьте дюбели № 8 с расширяющимся волокном. Дюбели обязательно должны быть установлены в твердой части стены, а не в слое штукатурки.

При установке на панельных стенах необходимо крепить настенный кронштейн к каркасным конструкциям с помощью шурупов № 8 или другим надежным способом.

Подвесьте воздушную завесу на установленный кронштейн, как показано на рис. 3а.

Монтаж на потолке

Используя резьбовую вставку в верхней панели воздушной завесы, закрепите прибор на потолке с помощью стальных резьбовых стержней М8 подходящей длины или аналогичных креплений достаточной прочности - см. рис. 3б.

Электропитание

Все приборы снабжены управляющими микропроцессорами. Способы подключения к сети электропитания и к блоку управления показаны на рис. 6. В цепи электропитания необходимо установить локальный разъединитель с зазором между контактами не менее 3 мм.

Снимите вытяжные воздухораспределительные решетки ("x" и "y" на рис. 4), освободив быстросъемные зажимы и повернув решетки, как показано на рисунке. Снимите нижнюю панель ("z" на рис. 4).

Все модели с электронагревателем - Выдавите отверстие в верхней панели, подведите соответствующий кабель питания (см. "а" на рис. 6А) через кабельный сальник (не входит в комплект), прикрепленный к верхней панели, и соедините его с контактной колодкой (см. "b" на рис. 6А).

Все водонагреваемые и наружные модели - Выдавите отверстие в верхней панели, подведите соответствующий кабель электропитания (см. "а" на рис. 6В) через кабельный сальник (не входит в комплект), прикрепленный к верхней панели, после чего соедините его с печатной платой (см. "b" на рис. 6В).

Все модели - Соответствующий кабель (CAT5 или аналогичный) для панели переключателей (комплект: CABС5 для моделей с электронагревателем или CABС6 для моделей с водяным нагревателем и наружных моделей) можно аналогичным образом подвести через верхнюю панель и подключить к монтажной плате, как показано на рис. 6А и 6В. При использовании дверного выключателя переключатель с замыкающими контактами нужно подключить, как показано на рис. 7 и 8.

Примечание: при использовании дверного выключателя требуется дополнительный 2-жильный (низковольтный) кабель между ним и воздушными завесами.

При подключении прибора к системе управления энергопотреблением здания соединения выполняются, как показано на рис. 7 и 8. Перед началом эксплуатации проверьте надежность крепления воздушной завесы и кабелей питания.

Подача воды

Модели, предназначенные для использования в сочетании с системой горячего водоснабжения с низким давлением, должны быть отдельно (параллельно) подключены к проточному трубопроводу с возвратом. Используются следующие разъемы (см. "а" на рис. 5): ½ дюйма BSPT (для серии CAB) и ¾ дюйма BSPT (для серии DAB). Стопорные клапаны (см. "b" на рис. 5) следует крепить как можно ближе к разъемам воздушной завесы. Во время эксплуатации выпускные клапаны (см. "c" на рис. 5) должны быть подключены к змеевику. Для доступа к змеевику, а также к сливному отверстию (см. "d" на рис. 5) снимите нижнюю панель и втяжные воздухораспределительные решетки - см. рис. 4.

Максимальная температура подаваемой воды 125°C, максимальное давление 8 бар.

Для упрощения установки соединения водяного змеевика можно переместить на другую сторону устройства. Посредством удаления водяного змеевика и соответствующих выбивок змеевик может быть переустановлен в необходимом направлении. Эту процедуру необходимо выполнить перед монтажом устройства.

Модели

Модель	Тепловая мощность кВт	Напряжение питания	Электрическая нагрузка А	Вес кг	Максимальная высота при установке м
ВНЕШНЯЯ СРЕДА / ХОЛОДИЛЬНИК					
CAB10A	нет	220-240 В переменного тока, 1 фаза	0,3	15,5	2,7
CAB15A	нет	220-240 В переменного тока, 1 фаза	0,5	21,5	2,7
DAB10A	нет	220-240 В переменного тока, 1 фаза	1,5	21,5	4,0
DAB15A	нет	220-240 В переменного тока, 1 фаза	2,3	27,5	4,0
С ЭЛЕКТРОНАГРЕВАТЕЛЕМ					
CAB10E	4,5/9,0	380-415 В переменного тока, 3 фазы	14	20,5	2,7
CAB15E	6,75/13,5	380-415 В переменного тока, 3 фазы	20	29	2,7
DAB10E	6,0/12,0	380-415 В переменного тока, 3 фазы	18	26,5	4,0
DAB15E	9,0/18,0	380-415 В переменного тока, 3 фазы	27	35	4,0
С ВОДНЫМ НАГРЕВАТЕЛЕМ (горячая вода с низким давлением при 82/71°C)**					
CAB10W	9,0	220-240 В переменного тока, 1 фаза	0,3	17,7	2,7
CAB15W	13,5	220-240 В переменного тока, 1 фаза	0,5	24,6	2,7
DAB10W	12,0	220-240 В переменного тока, 1 фаза	1,5	24,7	4,0
DAB15W	18,0	220-240 В переменного тока, 1 фаза	2,3	31,9	4,0

Монтаж панели переключателей

Установочную коробку (стандартная двойная) нужно вмонтировать в стену. Коробку следует установить таким образом, чтобы панель переключателей находилась на одном уровне со стеной. При необходимости при прокладке кабеля от нагревателя к выключателю следует использовать изоляционную трубку. Для подключения панели переключателей к печатной плате необходимо использовать LAN-кабель CAT5 с прямыми соединениями.

Внимание! Убедитесь в том, что кабель безопасен и не соприкасается с нагревательным элементом и движущимися деталями. После установки проверьте все настройки переключателей.

Режимы электронагревателя

Управление с помощью пульта - САВС5

Включите электропитание воздушной завесы. Установите переключатель в соответствующее положение нагрева. Имеющиеся настройки

ВЫКЛ - Слабый обдув - Слабый обдув со слабым нагревом и




Сильный обдув - Сильный обдув со слабым нагревом - Сильный обдув с полным нагревом

Кулисный переключатель (автоматический / ручной) включает ручное управление в обход дверного выключателя (при наличии). В ручном режиме прибор работает с необходимыми параметрами, а автоматический режим обеспечивает энергосберегающие функции путём выключения прибора при закрытой дверце. **Для ОТКЛЮЧЕНИЯ прибора всегда используйте пульт управления, не размыкайте цепь электропитания.**

После отключения прибора (с пульта) вентилятор продолжает работать в течение 1 минуты без нагрева для удаления остаточной энергии с нагревающих элементов. При первом включении блок управления запускает проверку системы. Выбранные значения параметров устанавливаются через 30 секунд.

Термостатное регулирование (опция)

При установке однополюсного биметаллического или электронного термостата в разьёмах "С", см. рис. 7, в зависимости от параметров нагрева добавляются следующие возможности

-  - Только обдув - Не влияет
-  - Половинный нагрев - Переключение с нагрева на обдув
-  - Полный нагрев - Нагрев уменьшается до половинного

Тепловые плавкие предохранители

Подача электропитания на нагревательные элементы прекращается, если возникает одно из следующих событий или их комбинация:

1. Загромождение втяжных или вытяжных воздухораспределительных решеток.
2. Засорение внутренней системы вентиляции накопившейся пылью и пухом.
3. Останов вентилятора.

Для переустановки тепловых плавких предохранителей нажмите кнопки переустановки, как показано на рис 9. Перед переустановкой необходимо определить причины повторного включения и принять меры по устранению проблем.

Управление с помощью дверного выключателя (модели с электронагревателем)

Если в электрическую цепь включить дверной выключатель, как показано на рис. 7, разьёмы "D", воздушная завеса срабатывает при открытии двери следующим образом:

- (1) При открытии двери воздушная завеса включается с установленными на пульте параметрами.
- (2) При закрытии двери функционирование с установленными параметрами продолжается в течение 1 минуты.
- (3) От 1 до 2 минут после закрытия двери функционирование продолжается с пониженной мощностью: ½ мощности нагрева (если нагрев включен) и ½ скорости вентилятора.
- (4) От 2 до 3 минут функционирует только вентилятор (½ скорости), выполняющий цикл завершения работы.
- (5) Через 3 минуты воздушная завеса возвращается в неактивное состояние до следующего открытия двери.

Если дверь повторно открывается в течение трехминутного цикла, процесс возобновляется с действия (1).

Режимы моделей с нагревателем от горячей воды низкого давления и моделей, связанных с внешней средой (только вентилятор)

Управление с помощью пульта - САВС6

Включите электропитание воздушной завесы. Установите переключатель в нужное положение нагрева. Имеющиеся настройки

ВЫКЛ - Слабый обдув - Сильный обдув

Кулисный переключатель (автоматический / ручной) включает ручное управление в обход дверного выключателя (при наличии). В ручном режиме прибор работает с необходимыми параметрами, а автоматический режим обеспечивает энергосберегающие функции путём выключения прибора при закрытой дверце. Для ОТКЛЮЧЕНИЯ прибора всегда используйте пульт управления, не размыкайте цепь электропитания.

При первом включении блок управления запускает проверку системы. Выбранные значения параметров устанавливаются через 30 секунд.

Термостатное регулирование (опция)

1) В подающем трубопроводе можно установить термостатический регулятор с дистанционным датчиком (не входит в комплект), управляющий тепловой мощностью.

2) В подающем трубопроводе можно установить термостатический регулятор с дистанционным датчиком (не входит в комплект), управляющий тепловой мощностью.

Управление с помощью дверного выключателя (модели с водным нагревателем или модели, связанные с внешней средой)

Если в электрическую цепь включить дверной выключатель, как показано на рис. 8, воздушная завеса срабатывает при открытии двери следующим образом:

- (1) При открытии двери воздушная завеса включается с установленными на пульте параметрами.
- (2) При закрытии двери функционирование с установленными параметрами продолжается в течение 1 минуты.
- (3) От 1 до 2 минут после закрытия двери функционирование продолжается с пониженной мощностью: 1/2 скорости вентилятора.
- (4) Через 2 минуты воздушная завеса возвращается в неактивное состояние до следующего открытия двери.

Если дверь повторно открывается в течение двухминутного цикла, процесс возобновляется с действия (1).

Схемы соединений

САВ и DAB "E" - модели с электронагревателем - см. рис. 7

САВ и DAB "W" и "A" - модели с водным нагревателем и модели, связанные с внешней средой - см. рис. 8

- C - термостат
- D - дверной выключатель (опция)
- E - цепь с тепловыми плавкими предохранителями
- F - элементы
- G - выключатели системы управления зданием (опция) (S, S1, S2)
- M - двигатель

Дистанционное управление (с помощью системы управления энергопотреблением здания)

Можно установить соединение с системой управления энергопотреблением здания таким образом, чтобы согласовать дистанционное управление воздушной завесой с управлением другим оборудованием.


Модульное соединение

Ознакомьтесь с инструкциями, сопровождающими комплект для модульного соединения.

Углубленная установка

Ознакомьтесь с инструкциями, сопровождающими комплект для углубленной установки.

Утилизация

 Для электрических изделий, продаваемых в пределах Европейского сообщества. По истечении срока эксплуатации электрические изделия не следует утилизировать вместе с бытовыми отходами. Утилизация должна осуществляться в специально оборудованных местах. Для получения информации о правилах утилизации в своей стране обратитесь в местные органы власти или к розничному продавцу.

Чистка

ВНИМАНИЕ. Перед проведением обслуживания ОТКЛЮЧАЙТЕ ЭЛЕКТРОПИТАНИЕ.

Периодически протирайте внешнюю поверхность влажной тканью; для удаления пятен можно использовать ткань, смоченную в слабом мыльном растворе, а затем вытереть поверхность прибора насухо. Следите за тем, чтобы внутрь прибора не проникала влага.

Обслуживание после продажи

За помощью в получении послепродажного обслуживания или приобретении запасных деталей, обращайтесь к розничному продавцу, у которого было приобретено данное устройство, или позвоните в центр обслуживания клиентов, расположенный в Вашем регионе, по номеру, указанному на гарантийном талоне. Не возвращайте неисправное изделие нам при первом же сбое в его работе, поскольку это может привести к необоснованным издержкам, ущербу или задержке в предоставлении надлежащего уровня обслуживания. Сохраните чек, который подтверждает факт покупки устройства.

Kompaktowe dmuchawy powietrza firmy Dimplex

Modele: CAB10E, CAB15E, CAB10W, CAB15W, CAB10A i CAB15A
DAB10E, DAB15E, DAB10W, DAB15W, DAB10A i DAB15A

WAŻNE: PRZECZYTAJ DOKŁADNIE NINIEJSZE INSTRUKCJE ORAZ ZACHOWAJ JE W CELU WYKORZYSTANIA W PRZYSZŁOŚCI

ISTOTNE ZALECENIA DOTYCZĄCE BEZPIECZEŃSTWA

NIE NALEŻY ZAKRYWAĆ ANI ZASLANIAĆ wlotu powietrza ani kratki wylotowej.

UPEWNIJ SIĘ, ŻE URZĄDZENIE ZOSTAŁO UZIEMIONE.

Grzejnika nie należy używać w miejscach nadmiernie zapyłonych.

Grzejnika nie należy umieszczać bezpośrednio nad lub pod gniazdem sieciowym lub skrzynką rozdzielczą.

Przed podjęciem pracy zawsze odłącz zasilanie od urządzenia.

Należy zadbać, aby w pobliżu ostatecznego miejsca instalacji urządzenia znajdowało się odpowiednie zakończenie stałej sieci kablowej budynku.

Urządzenie powinno być montowane w bezpieczny sposób jedynie na litej ścianie lub suficie.

Urządzenia nie należy zanurzać w wodzie ani narażać na działanie rozpylonej wody.

Upewnij się, że przewody zasilające mają odpowiednie parametry w zakresie przewodzenia prądu oraz że zabezpieczone są właściwymi bezpiecznikami.

Jeżeli urządzenie będzie montowane w toalecie lub łazience, należy je tak zamontować, aby osoba biorąca kąpiel lub prysznic nie mogła dotknąć żadnej części urządzenia. Jeżeli urządzenie będzie montowane w toalecie lub łazience, na zewnątrz obok drzwi wejściowych należy umieścić odłącznik.

To urządzenie nie może być używane przez osoby (w tym również dzieci) o ograniczonych zdolnościach fizycznych, sensorycznych lub psychicznych oraz nieposiadających odpowiedniego doświadczenia lub wiedzy, chyba że taka osoba jest nadzorowana lub została przeszkolona przez inną osobę, odpowiedzialną za bezpieczeństwo użytkownika.

Grzejnik nie jest wyposażony w urządzenie do kontrolowania temperatury w pomieszczeniu. Nie należy używać grzejnika w małych pomieszczeniach, gdy znajdują się w nich osoby niezdolne do ich opuszczenia, chyba że znajdują się pod stałą opieką innej osoby.

OSTRZEŻENIE: Przed przystąpieniem do konserwacji, należy odłączyć źródło zasilania od WSZYSTKICH połączonych modułów urządzeń.

Pozycje montażu

Urządzenie może być montowane na ścianie lub suficie – patrz ryc. 3 przedstawiająca różne pozycje montażu. Szczegóły dotyczące montażu można znaleźć poniżej w części „Montaż”. Konieczne jest zachowanie odległości co najmniej 100 mm między górną częścią urządzenia a sufitem (patrz „a” na ryc. 1), jak również minimalnej odległości między spodem urządzenia a górną częścią drzwi (patrz „b” na ryc. 1).

Montaż na ścianie

Używając wspornika do montażu jako prowadnicy (patrz ryc. 2) zaznacz na ścianie pozycje pod otwory (wymagana jest minimalna odległość 2,0 m od podłogi do dolnej części wspornika). Umieść wspornik w taki sposób, aby wylot powietrza po zamocowaniu dmuchawy był możliwie najbliżej górnej części drzwi oraz pozostał niezastłonięty po zakończeniu montażu.

Ściany z twardej cegły lub płyt betonowych należy nawiercić i użyć kołków rozporowych o rozmiarze 8 z wkładkami z włókna (aby zapewnić poziomy montaż wspornika, należy skorzystać z poziomicy spirytusowej jako prowadnicy – patrz „x” na ryc. 2). Otwory muszą być wykonane w twardej części ściany, a nie w warstwie tynkowej. Podczas montażu na ścianach „panelowych” wspornik montażowy powinien być przymocowany do konstrukcji szkieletowej przy użyciu wkrętów do drewna nr 8 lub innej równie pewnej metody montażu.

Po zamocowaniu wspornika montażowego dmuchawę można wsunąć na miejsce, tak jak pokazano na ryc. 3a.

Montaż na suficie

Mocowanie urządzenia do sufitu należy dokonać, korzystając z gwintowanych wpustów znajdujących się w górnej części dmuchawy oraz odpowiedniego gwintowanego pręta stalowego M8 lub innych podobnych wsporników o zbliżonej wytrzymałości – patrz ryc. 3b.

Połączenia elektryczne

Wszystkie urządzenia wyposażone są w sterowanie mikroprocesorowe. Połączenia zasilania oraz sterowania należy wykonać zgodnie z ryc. 6. Obwód zasilania elektrycznego musi być wyposażony w odpowiedni lokalny odłącznik oraz zachowany musi zostać odstęp co najmniej 3 mm między każdym z biegunów.

Aby uzyskać dostęp do połączeń elektrycznych należy zdjąć osłony krat ('x' i 'y' rys.4) poprzez szybkie zwolnienie zapięć i zawiasów jak pokazano na rysunku. Należy zdjąć dno panelu ('z' rys. 4) oraz uciskającą pokrywę ('w' rys. 4).

Wszystkie modele elektryczne - Po usunięciu z góry panelu „wypychacza” przepuść odpowiedni przewód zasilający (patrz „a” na ryc. 6A) przez właściwe uszczelnienia dławikowe przewodu (nie są dostarczane), zamocowane u góry panelu, oraz przymocuj go do zespołu listew zaciskowych (patrz „b” na ryc. 6A).

Wszystkie modele ogrzewane wodą oraz powietrzem - Po usunięciu z góry panelu „wypychacza” przepuść odpowiedni przewód zasilający (patrz „a” na rys. 6B) przez właściwe uszczelnienia dławikowe przewodu (nie są dostarczane) zamocowane u góry panelu oraz przymocuj go do PCB (patrz „b” na rys. 6B).

Wszystkie modele - Odpowiedni przewód (CAT5 lub odpowiednik) do tablicy rozdzielczej (nr kat. zestawu - CABCS dla modeli ogrzewanych elektrycznie lub CABCB dla modeli ogrzewanych wodą/powietrzem) może być w podobny sposób poprowadzony przez górną część panelu i podłączony do płytki drukowanej układu, jak pokazano na rys. 6A i 6B. Jeżeli urządzenie działa w połączeniu z przełącznikiem w drzwiach, należy podłączyć normalny obwód zamknięty, tak jak pokazano na rys. 7 i 8.

Uwaga: W przypadku korzystania z przełącznika w drzwiach, wymagany jest dodatkowy 2-żyłowy kabel (niskonapięciowy) pomiędzy przełącznikiem w drzwiach i dmuchawami powietrza.

Jeżeli urządzenie ma być podłączone do systemu zarządzania energią w budynku, połączeń należy dokonać zgodnie z rys. 7 i 8. Przed uruchomieniem urządzenia należy upewnić się, że dmuchawa powietrzna jest bezpiecznie przymocowana oraz że kable zasilania są dobrze przytwierdzone.

Podłączenie wody

Modele zaprojektowane do użytku w instalacjach zasilanych gorącą wodą o niskim ciśnieniu należy podłączyć indywidualnie (w obwodach równoległych) do instalacji dopływowych i odpływowych. Połączenia (patrz „a” na ryc. 5): ½” BSPT (seria CAB) i ¾” BSPT (seria DAB) oraz zawory izolacyjne (patrz „b” na ryc. 5) powinny być zamocowane możliwie jak najbliżej punktów podłączenia dmuchawy. Dla lepszego rozruchu zawory upustowe powietrza (patrz „c” na ryc. 5) zamocowane są na cewce, do której dostęp można uzyskać przez ściągnięcie dolnego panelu oraz kratki wlotowej – patrz ryc. 4. Dostęp do odpływu (patrz „d” na ryc. 5) można uzyskać także po usunięciu kratki oraz dolnego panelu.

Maksymalne parametry dla dostarczanej wody to 125°C i 8 bar.

Złącza węzłownicze można, dla ułatwienia instalacji, przenieść na jedną lub drugą stronę urządzenia. Po zdemontowaniu węzłownicy i wyjęciu odpowiednich zaślepek, węzłownicę można ponownie złożyć w wymaganym położeniu. Operację tę należy przeprowadzić przed zainstalowaniem urządzenia.

Modele

Model	Ogrzewanie wyjście kW	Elektryczne zasilanie	Elektryczne obciążenie A	Masa kg	Maks. wysokość instalacji m
TEMPERATURA ZEWNĘTRZNA / CHŁODNIA SKŁADOWA					
CAB10A	nie dotyczy	220–240 V~ 1PN	0,3	15,5	2,7
CAB15A	nie dotyczy	220–240 V~ 1PN	0,5	21,5	2,7
DAB10A	nie dotyczy	220–240 V~ 1PN	1,5	21,5	4,0
DAB15A	nie dotyczy	220–240 V~ 1PN	2,3	27,5	4,0
OGRZEWANE ELEKTRYCZNIE					
CAB10E	4,5 / 9,0	380–415 V~ 3PN	14	20,5	2,7
CAB15E	6,75 / 13,5	380–415 V~ 3PN	20	29	2,7
DAB10E	6,0 / 12,0	380–415 V~ 3PN	18	26,5	4,0
DAB15E	9,0 / 18,0	380–415V~ 3PN	27	35	4,0
OGRZEWANE WODĄ (o temp. 82/71°C – LPHW)**					
CAB10W	9,0	220–240 V~ 1PN	0,3	17,7	2,7
CAB15W	13,5	220–240 V~ 1PN	0,5	24,6	2,7
DAB10W	12,0	220–240 V~ 1PN	1,5	24,7	4,0
DAB15W	18,0	220–240V~ 1PN	2,3	31,9	4,0

Elektryczne

Instalacja urządzenia powinna być przeprowadzona przez wykwalifikowanego elektryka zgodnie z obowiązującymi przepisami dotyczącymi instalacji elektrycznych.

Montaż panelu przełączników

Puszka montażowa (standardowa, podwójna) musi być zamocowana do odpowiedniej ściany. Puszka musi być zamontowana w taki sposób, aby tablica rozdzielcza nie wystawała ze ściany. W razie potrzeby do przeciągnięcia kabla pomiędzy grzejnikiem a tablicą rozdzielczą należy użyć odpowiedniego kanału kablowego. Do bezpośredniego podłączenia panelu przełączników z płytą obwodów drukowanych urządzenia należy użyć kabla CAT5 LAN.

Ostrzeżenie: Upewnij się, że kable jest dobrze zamontowany i że nie styka się z elementem grzejnym lub innym ruchomymi częściami. Upewnij się, że kable jest dobrze zamontowany i że nie styka się z elementem grzejnym lub innymi ruchomymi częściami.

Modele ogrzewane elektrycznie

Obsługa za pomocą skrzynki przełączników - CABCS

Włącz zasilanie elektryczne kurтины powietrznej. Wybierz wymagane ustawienie grzania, ustawiając przełącznik w odpowiednim położeniu. Dostępne ustawienia:

WYL. - niskie obr. went. - niskie obr. went. z niską mocą grzania i wysokie obr. went. - wysokie obr. went. z niską mocą grzania - wysokie obr. went. z pełną mocą grzania

Przełącznik (tryb automatyczny/ręczny) pozwala na ręczną zmianę ustawienia przełącznika w drzwiach, jeżeli jest on zamontowany. Tryb ręczny umożliwia wybór wymaganego ustawienia pracy urządzenia, a tryb automatyczny zapewnia niższe zużycie energii, poprzez wyłączenie urządzenia, gdy drzwi są zamknięte.

Urządzenie powinno być zawsze wyłączone przy użyciu przełącznika sterującego, a nie przez odłączenie źródła zasilania elektrycznego.

Jeżeli urządzenie zostanie wyłączone (przy użyciu przełącznika) wentylator będzie pracował jeszcze przez 1 minutę bez załączonego ogrzewania, w celu usunięcia energii z elementów grzejnych.

Podczas pierwszego uruchomienia sterownik przeprowadzi test systemu. Wybrane ustawienia zostaną osiągnięte oraz utrzymane po 30 sekundach od włączenia.

Sterowanie termostatyczne (opcjonalne)

Po dodaniu jednobiegunowego bimetalu lub elektronicznego termostatu do połączeń przedstawionych jako „C” na rys. 7, dodana zostanie nowa funkcja, zależna od ustawień przełącznika.



- Tylko wentylator - Brak działania



- Połowa mocy grzania - Grzanie zostanie zredukowane tylko do wentylatora



- Pełna mocy grzania - Grzanie zostanie zredukowane do połowy mocy grzania

Termiczne wyłączniki zabezpieczające

Zasilanie elementów grzejnych zostanie przerwane, jeżeli nastąpi jedna lub więcej z poniższych nieprawidłowości:

1. Wlot powietrza lub kratka wylotowa zostaną zatkane.
2. Nastąpi pogorszenie działania wewnętrznej wentylacji na skutek osadzenia się kurzu oraz kłaczek.
3. Element wydmuchujący powietrze przestanie działać.

Aby zresetować termiczny wyłącznik zabezpieczający, należy użyć przycisków do resetowania, pokazanych na rys. 9. Przed dokonaniem resetowania należy ustalić przyczynę, dla której czynność ta musi być wykonana, oraz podjąć stosowne działania, mające na celu przywrócenie poprawnego działania.

Sterowanie przełącznikiem w drzwiach (modele elektryczne)

Po dodaniu przełącznika do drzwi do obwodu pokazanego jako „D” na rys. 7, dmuchawa powietrza będzie reagowała na otwarciu drzwi w następujący sposób:

- (1) Otwarcie drzwi uruchomi dmuchawę powietrza z ustalonymi nastawami (nastawy takie same jak w skrzynce przełączników).
- (2) Po zamknięciu drzwi dmuchawa będzie pracowała z ustalonymi nastawami jeszcze przez minutę.
- (3) W okresie pomiędzy 1 i 2 minutą od zamknięcia drzwi dokonaj ponownych ustawień, ½ ogrzewanie (jeżeli ogrzewanie zostało wybrane) i włącz się ½ wentylator.
- (4) W okresie pomiędzy 2 i 3 minutą włączony zostanie cykl wyłączania wentylatora (½ prędkość).
- (5) Po 3 minutach kurtyna powietrzna powróci do stanu uśpienia, aż do momentu ponownego otwarcia drzwi.

Jeżeli drzwi zostaną otwarte w trakcie trwania tego 3-minutowego cyklu, proces rozpocznie się ponownie od (1).

Modele ogrzewane gorącą wodą o niskim ciśnieniu / zewnętrzne (tylko wentylator)

Obsługa za pomocą skrzynki przełączników - CABCS

Włącz zasilanie elektryczne kurтины powietrznej. Wybierz wymagane ustawienie grzania, ustawiając przełącznik w odpowiednim położeniu. Dostępne ustawienia:

WYL. - niskie obr. went. - wysokie obr. went.

Przełącznik (tryb automatyczny/ręczny) pozwala na ręczną zmianę ustawienia przełącznika w drzwiach, jeżeli jest on zamontowany. Tryb ręczny umożliwia wybór wymaganego ustawienia pracy urządzenia, a tryb automatyczny zapewnia niższe zużycie energii, poprzez wyłączenie urządzenia, gdy drzwi są zamknięte. Urządzenie powinno być zawsze wyłączone przy użyciu przełącznika sterującego, a nie przez odłączenie źródła zasilania elektrycznego.

Podczas pierwszego uruchomienia sterownik przeprowadzi test systemu. Wybrane ustawienia zostaną osiągnięte oraz utrzymane po 30 sekundach od włączenia.

Sterowanie termostatyczne (opcjonalne)

1) W celu regulacji ciepła wyjściowego, można zamontować na przewodzie doprowadzającym wodę zawór regulacji termostatycznej ze zdalnym odczytem za pomocą zbiornika pomiarowego (nie dołączony).

2) Do układu można również włączyć elektrozawór trójdrożny. Skontaktuj się z przedstawicielem serwisu korzystając z danych kontaktowych, aby uzyskać więcej informacji.

Sterowanie przełącznikiem w drzwiach (wodne / zewnętrzne modele)

Po dodaniu przełącznika do drzwi do obwodu pokazanego na rys. 8, dmuchawa powietrza będzie reagowała na otwarciu drzwi w następujący sposób:

- (1) Otwarcie drzwi uruchomi dmuchawę powietrza z ustalonymi nastawami (nastawy takie same jak w skrzynce przełączników).
- (2) Po zamknięciu drzwi dmuchawa będzie pracowała z ustalonymi nastawami jeszcze przez minutę.
- (3) W okresie pomiędzy 1 i 2 minutą od zamknięcia drzwi nastąpi operacja wyłączenia ½ wentylatora.
- (4) Po 2 minutach dmuchawa powietrza powróci do stanu uśpienia, aż do momentu ponownego otwarcia drzwi.

Jeżeli drzwi zostaną otwarte w trakcie trwania tego 2-minutowego cyklu, proces rozpocznie się ponownie od (1).

Schemat połączeń

CAB i DAB 'E' – Modele elektryczne – patrz rys. 7

CAB & DAB 'W' & 'A' – Wodne i zewnętrzne modele – patrz rys. 8

C -	Termostat
D -	Przełącznik w drzwiach (opcjonalny)
E -	Obwód zabezpieczenia termicznego
F -	Elementy
G -	Przełączniki BMS (opcjonalny) (S, S1, S2)
M -	Silnik

Zdalna obsługa (BMS / BEMS)

Możliwe jest podłączenie urządzenia do sterowania za pomocą systemu zarządzania energią w budynku (BEMS), umożliwiające zdalne sterowanie przy użyciu innych urządzeń.

Połączenia modułowe

Patrz instrukcje dołączone do zestawu połączeń modułowych.

Instalacja nasufitowa

Patrz instrukcje dołączone do zestawu przeznaczony do instalacji nasufitowej.

Recykling



Dla urządzeń elektrycznych sprzedawanych na terenie Unii Europejskiej. Urządzenia nie wolno utylizować wraz z odpadami domowymi. Należy je oddać do utylizacji. W celu uzyskania szczegółowych informacji odnośnie utylizacji proszę skontaktować się z lokalnymi władzami.

Czyszczenie

OSTRZEŻENIE: Przed przystąpieniem do konserwacji ODŁĄCZ ZASILANIE.

Powierzchnie zewnętrzne należy czyścić co jakiś czas przy pomocy wilgotnej ściereczki; aby usunąć plamy, należy użyć roztworu wody z mydłem oraz ściereczki, po czym wytrzeć powierzchnię do sucha. Należy uważać, aby wilgoć nie przedostała się do wnętrza urządzenia.

Obsługa posprzedażna

Gdy zajdzie potrzeba skorzystania z obsługi posprzedażowej lub zakupu części zamiennych, należy skontaktować się ze sprzedawcą urządzenia lub zadzwonić na podany na karcie gwarancyjnej numer serwisu w danym kraju.

Nie należy od razu odsyłać uszkodzonego urządzenia do producenta, ponieważ może to spowodować jego utratę, uszkodzenie lub opóźnienie naprawy. Paragon lub fakturę należy zachować jako dowód zakupu.

Dimplex kompakte luftsperrer

Modeller: CAB10E, CAB15E, CAB10W, CAB15W, CAB10A, og CAB15A

DAB10E, DAB15E, DAB10W, DAB15W, DAB10W, og DAB15W

VIKTIG: VI BER DEG LESE DISSE ANVISNINGENE NØYE OG TA VARE PÅ DEM FOR FREMTIDIG BRUK

VIKTIG SIKKERHETSINFORMASJON

PASS PÅ AT DU IKKE DEKKER TIL ELLER TETTER luftinntaks- eller avtrekksgitteret.

FORSIKRE DEG OM AT ENHETEN ER JORDET.

Du skal ikke bruke enheten i områder der det er mye støv.

Enheden skal plasseres rett over eller under en fast stikkontakt eller koplingsboks.

Sørg alltid for å kople fra strømmen før du arbeider med enheten.

En passende avslutning til det faste ledningsnett i lokalene må plasseres i umiddelbar nærhet av den endelige posisjonen for apparatet.

Enheden skal kun monteres på en fast vegg eller i taket.

Enheden må ikke utsettes for vannsprut eller senkes ned i vann.

Forsikre deg om at strømkablene har tilstrekkelig strømbelastningsevne, og at de er beskyttet med en egnet sikring.

Hvis enheten monteres på bad eller vaskerom, skal den plasseres slik at en person som bruker badekar eller dusj ikke på noen måte kan komme i berøring med den.

Hvis enheten monteres på bad eller vaskerom, skal det være en skillebryter utenfor rommet, ved siden av døren.

Dette apparatet er ikke beregnet for bruk av personer (inkludert barn) med redusert fysiske, sensorisk eller mental evner, eller som har manglende erfaring og kunnskap, med mindre bruken er under overoppsyn eller de er blitt instruert i bruken av en person som er ansvarlig for deres sikkerhet.

Dette varmeapparatet er ikke utstyrt med en innretning som regulerer romtemperaturen. Bruk ikke varmeapparatet i små rom hvis det befinner seg personer der som ikke er i stand til å forlate rommet, med mindre det er sørget for kontinuerlig overvåking.

ADVARSEL! Isoler strømtilførselen til ALLE modulkopledede enheter før vedlikehold.

Plassering

Enheden skal monteres enten på veggen eller i taket. Fig. 3 viser ulike plasseringer, og under "Montering" nedenfor finner du informasjon om montering av enheten. Det skal være en avstand på minst 100 mm fra enhetens øvre kant og opp til taket (se "a" i fig. 1), og avstanden fra enhetens nedre kant til toppen av døren skal være minst mulig (se "b" i fig. 1).

Veggmontering

Bruk braketten for veggmontering som en mal (se fig. 2), og merk av hullposisjonene på veggen (det skal være en avstand på minst 2,0 meter fra gulvet og opp til brakettens nedre kant). Plasser braketten slik at avtrekket for de installerte luftsperrene er så nær toppen av døråpningen som mulig, men ikke hindres når installeringen er fullført.

I vegger av murstein eller betong må det bores og plugges (bruk vater – se "x" i fig. 2 – slik at braketten blir vannrett) med Rawl-fiberplugg nr. 8. Pluggen må plasseres i den faste delen av veggen og ikke bare i gipslaget.

På panelvegger skal veggbraketten festes til stenderverket med treskruer nr. 8, eller på en tilsvarende like sikker måte.

Når veggbraketten er på plass, kan luftsperreren hektes på plass som vist i fig. 3a.

Takmontering

Ved hjelp av gjengede pinner i luftsperrers toppanel, kan enheten monteres i taket med en gjenget M8-stålstang eller lignende støtte med tilsvarende styrke. Se fig. 3b.

Elektrisk tilkoping

Alle enhetene er utstyrt med en mikroprosessorkontroll. Elektrisk tilkoping av strøm og kontroll er vist i fig. 6. Det skal være en egnet lokal skillebryter i den elektriske kretsen for strømtilførsel med minst 3 mm klaring ved hver pol.

Fjern avtrekksgitrene ("x" og "y" i fig. 4) ved å løsne hurtiglåsene og vippe ned dekslene som vist. Fjern bunnpanelet ("z" i fig. 4).

Alle elektriske modeller - Etter å ha fjernet en del i toppanelet, fører du inn tilførselskabelen (se "a" i fig. 6A) gjennom en egnet kabelgjennomføring (følger ikke med) i toppanelet og fester den til rekkeklemmen (se "b" i fig. 6A).

Alle modeller med vannvarme og uten varme - Etter at en utstanset del er fjernet i toppanelet, føres en passende strømkabel (se "a" i fig. 6B) gjennom en egnet kabelgjennomføring (følger ikke med) i toppanelet og festes til kretskortet (se "b" i fig. 6B).

Alle modeller - En egnet kabel (CAT5 eller tilsvarende) for et bryterpanel (sett nr. - CAB5 for modeller med elektrisk varme eller CAB6 for med vannvarme / uten varme) kan på lignende måte føres gjennom toppanelet og koples til kretskortet, som vist i fig. 6A og 6B. Hvis enheten skal brukes med en dørbryter, skal en normalt lukket bryter koples til som vist i fig. 7 og 8.

Merk! Hvis det benyttes en dørbryter, er det nødvendig med en ytterligere toledet kabel (lavspenning) mellom dørbryteren og luftsperreren.

Hvis enheten skal tilkoples bygningens SD-anlegg (Sentral Driftskontroll), skal den tilkoples som vist i fig. 7 og 8. Forsikre deg om at luftgardinen er forsvarlig festet i korrekt posisjon, og at strømledningene er forskriftsmessig festet innen apparatet tas i bruk.

Vanntilkoping

Modeller som er ment for bruk med tilførsel av varmt vann ved lavt trykk, skal koples individuelt (i parallellkrets) til rørene for tilførsel og retur av vann. Koples til på følgende måte (se "a" i fig. 5): ½" BSPT (CAB-serien) og ¾" BSPT (DAB-serien) og isolasjonsventiler (se "b" i fig. 5) skal plasseres så nær luftsperrers tilkoplingspunkter som mulig. Ved driftsettelse koples lufteventilene (se "c" i fig. 5) til coilen som du får tilgang til ved å fjerne det nedre panelet og inntaksgitteret (se fig. 4). Du får også tilgang til dreneringsåpningen (se "d" i fig. 5) når gitteret og det nedre panelet er fjernet.

Maksimalforholdene for vanntilførsel er 125 °C og 8 bar.

For å gjøre monteringen lettere kan vannspolekoplingene flyttes til en av sidene på apparatet. Ved å fjerne vannspolene og aktuelle utkastere kan vannspolene deretter settes tilbake i ønsket retning. Denne rutinen bør utføres for montering av apparatet.

Modeller

Modell	Varme-effekt kW	Strøm-tilførsel	Strøm-belastning A	Vekt Kg	Maks. installert høyde m
UTEN VARME / KJØLING					
CAB10A	n/a	220-240V ~1PN	0,3	15,5	2,7
CAB15A	n/a	220-240V ~1PN	0,5	21,5	2,7
DAB10A	n/a	220-240V ~1PN	1,5	21,5	4,0
DAB15A	n/a	220-240V ~1PN	2,3	27,5	4,0
ELEKTRISK VARME					
CAB10E	4,5 / 9,0	380-415V ~3PN	14	20,5	2,7
CAB15E	6,75 / 13,5	380-415V ~3PN	20	29	2,7
DAB10E	6,0 / 12,0	380-415V ~3PN	18	26,5	4,0
DAB15E	9,0 / 18,0	380-415V ~3PN	27	35	4,0
VANNVARME (ved 82/71 °C – LPHW)**					
CAB10W	9,0	220-240V ~1PN	0,3	17,7	2,7
CAB15W	13,5	220-240V ~1PN	0,5	24,6	2,7
DAB10W	12,0	220-240V ~1PN	1,5	24,7	4,0
DAB15W	18,0	220-240V ~1PN	2,3	31,9	4,0

Elektrisk

Apparatet skal installeres av en kompetent elektriker i overensstemmelse med gjeldende IEE-krav for ledningstilkopling.

Installere bryterpanel

Påveggskappen (standard dobbel mekanisk kopling) skal falses inn i en egnet vegg. Påveggskappen skal tilpasses slik at bryterpanelet er i flukt med veggen. Bruk egnede kabelrør om nødvendig for å føre kabelen mellom varmeapparatet og bryterpanelet. En CAT5 LAN-kabel med rett gjennom-pinnekonfigurasjon bør benyttes for å kople bryterpanelet til apparatets kretskort.

Advarsel! Påse at kabelen er forsvarlig festet og at kabelen ikke kommer i kontakt med varmeelementet eller andre bevegelige komponenter. Test alle bryterinnstillingene når installasjonen er fullført.

Modeller med elektrisk varme

Bruk med bryterboks - CABC5

Slå på strømtilførselen til luftgardinen. Vri bryteren til ønsket varmeinnstilling. Mulige innstillinger er:

OFF (AV) - Low Fan (Lav viftehastighet) - Low Fan with Low Heat (Lav viftehastighet med lav varme) og

High Fan (Høy viftehastighet) - High Fan with Low Heat (Høy viftehastighet med lav varme) - High Fan with Full Heat (Høy viftehastighet med full varme)

Med vippebryteren (automatisk/manuell) kan du velge forbikopling av dørbryteren dersom den er montert. Innstillingen Manuell gjør at apparatet kan kjøres med ønsket innstilling, mens innstillingen Automatisk er en energisparende funksjon ved at apparatet slås av når døren er lukket.

Enheten bør alltid slås AV ved bruk av bryterbokskontrollen, og ikke gjennom å bryte strømtilførselen.

Når enheten slås av (via bryterboksen), vil viften gå i ett minutt uten varme slik at eventuell restenergi ledes bort fra varmeelementene.

Når enheten slås på, vil det først gjennomføres en systemtest. De valgte innstillingene vil nås og opprettholdes etter en periode på 30 sekunder.

Termostatkontroll (utstyrsavhengig)

Hvis det også koples til en enpolet bimetaltermostat, eller elektronisk termostat som i "C" i fig. 7, oppnås følgende funksjoner avhengig av temperaturbryterens innstilling:



- Kun vifte - ingen effekt



- Halv varme - varmeapparat reduseres til kun vifte



- Full varme - varmeapparat reduseres til halv varme

Utkopling ved overoppheting

Strømtilførselen til varmeelementene brytes hvis ett eller flere av følgende forhold foreligger:

1. Luftinntaks- eller avtrekksgitrene er tette.
2. Redusert intern ventilasjon på grunn av mye støv og lo.
3. Vifteenheten stanser.

Utkoplingsfunksjonen for overoppheting nullstilles ved hjelp av nullstillingsknappene som vist i fig. 9. Før nullstilling må du finne årsaken til at funksjonen ble aktivert, og utføre korrigerende tiltak.

Dørbryterkontroll (elektriske modeller)

Hvis det koples til en dørbryter i kretsen som i "D" i figur 7, vil luftspærren reagere på følgende måte når døren åpnes:

- (1) Når døren åpnes, vil luftspærren aktiveres med de valgte innstillingene (bryterboksens innstillinger).
- (2) Når døren lukkes, vil enheten fortsette å gå ved de valgte innstillingene i ytterligere 1 minutt.
- (3) Mellom 1 og 2 minutter etter at døren er lukket, vil driften reduseres til ½ varme (hvis varme er valgt) og ½ vifte.
- (4) Mellom 2 og 3 minutter etter at døren er lukket, reduseres driften til viftesyklus.
- (5) Etter 3 minutter går luftspærren inn i dvalemodus til døren åpnes igjen.

Hvis døren åpnes igjen i løpet av denne syklusen på 3 minutter, vil prosessen starte på nytt fra (1).

Oppvarming med varmt vann under lavt trykk / uten varme (kun vifte)

Drift med bryterboks - CABC6

Slå på strømtilførselen til luftgardinen. Vri bryteren til ønsket varmeinnstilling. Mulige innstillinger er:

OFF (AV) - Low Fan (Lav viftehastighet) - High Fan (Høy viftehastighet)

Med vippebryteren (automatisk/manuell) kan du velge forbikopling av dørbryteren dersom den er montert. Innstillingen Manuell gjør at apparatet kan kjøres med ønsket innstilling, mens innstillingen Automatisk er en energisparende funksjon ved at apparatet slås av når døren er lukket. Enheten bør alltid slås AV ved bruk av bryterbokskontrollen, og ikke gjennom å bryte strømtilførselen.

Når enheten slås på, vil det først gjennomføres en systemtest. De valgte innstillingene vil nås og opprettholdes etter en periode på 30 sekunder.

Termostatkontroll (utstyrsavhengig)

1) En termostatstyrt reguleringsventil med en separat termoføler (følger ikke med) kan plasseres i vanntilførselsrøret for å regulere varmeeffekten.

2) En elektrisk 3-ports solenoidventil kan også koples til systemet. Kontakt din servicerepresentant ved bruk av kontaktinformasjonen for ytterligere informasjon.

Dørbryterkontroll (vann-/omgivelsestemperaturmodeller)

Hvis det koples til en dørbryter i kretsen som vist i figur 8, vil luftspærren reagere på følgende måte når døren åpnes:

- (1) Når døren åpnes, vil luftspærren aktiveres med de valgte innstillingene (bryterboksens innstillinger).
- (2) Når døren lukkes, vil enheten fortsette å gå ved de valgte innstillingene i ytterligere 1 minutt.
- (3) Mellom 1 og 2 minutter etter at døren er lukket, reduseres driften til ½ viftehastighet.
- (4) Etter 2 minutter går luftspærren inn i dvalemodus til døren åpnes igjen.

Hvis døren åpnes igjen i løpet av denne syklusen på 2 minutter, vil prosessen starte på nytt fra 1.

Koplings skjema

CAB & DAB "E" – elektriske modeller – se fig. 7

CAB & DAB "W" og "A" – vannmodeller og modeller uten varme – se fig. 8

C -	termostat
D -	dørbryter (utstyrsavhengig)
E -	krets for utkoplingsfunksjonen ved overoppheting
F -	elementer
G -	SD-brytere (utstyrsavhengig) (S, S1, S2)
M -	motor

Fjernstyrt drift (SD-anlegg)

Tilkopling til bygningens SD-anlegg (sentral drifts kontroll) er mulig slik at luftspærren kan fjernstyres sammen med annet utstyr.

Modulforbindelse

Se anvisningene som følger med settet for modulforbindelse.

Forsenket installering

Se anvisningene som følger med settet for forsenket installering.

Gjenvinning



Gjelder elektriske produkter som selges innen EU.

Når elektriske produkter skal kasseres etter endt bruk, skal de ikke kastes sammen med husholdningsavfall. Send dem til gjenvinningsanlegg der slike finnes. Forhør deg med lokale myndigheter eller forhandleren om gjenvinning i det aktuelle landet.

Rengjøring

ADVARSEL: KOPLE FRA STRØMTILFØRSELEN før du utfører vedlikehold.

Ytterflaten kan tørkes av med en fuktig klut med jevne mellomrom. Når du skal fjerne flekker, kan du vaske med en klut fuktet med en svak såpeoppløsning, og tørke etterpå. Pass på at det ikke kommer fuktighet inn i enheten.

Kundeservice

Hvis du skulle få behov for kundeservice eller reservedeler, bes du kontakte leverandøren du kjøpte apparatet fra, eller benytte det relevante servicenummeret for ditt land på garantikortet.

Et defekt produkt skal ikke returneres til oss i første omgang, ettersom dette kan føre til tap eller skade og forsinke tilfredsstillende service.

Ta vare på kvitteringen som kjøpsbevis.

Dimplex kompakta luftspärrar

Modeller: CAB10E, CAB15E, CAB10W, CAB15W, CAB10A, & CAB15A
DAB10E, DAB15E, DAB10W, DAB15W, DAB10W, & DAB15W

VIKTIGT: DU BÖR LÄSA DESSA INSTRUKTIONER NOGRANT OCH BEHÅLLA DEM FÖR FRAMTIDA REFERENS

VIKTIGA SÄKERHETSÅD

TÄCK INTE ÖVER ELLER BLOCKERA luftintaget eller utloppsgallret.

KONTROLLERA ATT APPARATEN ÄR JORDAD.

Använd inte denna värmeapparat i utrymmen där det finns extra mycket damm.

Denna värmeapparat får inte placeras omedelbart ovanför eller nedanför ett fast eluttag eller en anslutningsdosa.

Frånkoppla alltid spänningskällan innan du arbetar med produkten.

En lämplig avslutning till fasta elinstallationer i lokalen måste finnas intill apparatens slutliga placering.

Denna produkt bör endast monteras på en massiv vägg eller ett innertak.

Denna produkt får inte utsättas för vattenstråle eller nedsänkning i vatten.

Kontrollera att elkablarna har tillräcklig strömkapacitet och skyddas av en lämplig säkring.

Om apparaten monteras på en toalett eller ett tvättrum bör den monteras på sådant sätt att ingen del kan nås av en person som använder ett badkar eller en dusch.

Om apparaten monteras på en toalett eller ett tvättrum måste en fränkskylare sättas upp utanför tvättrummet bredvid dörren.

Den här apparaten är inte avsedd att användas av personer (inklusive barn) med reducerad fysisk, sensorisk eller mental förmåga, eller som saknar erfarenhet eller kunskap om dess användning, såvida de inte har fått instruktioner avseende dess användning av någon som ansvarar för deras säkerhet.

Värmeapparaten är inte utrustad med en kontrollenhet för att reglera rumstemperaturen. Använd den därför inte i små rum där någon som inte är kapabel att själv lämna rummet befinner sig, såvida de inte har konstant tillsyn.

WARNING! Isolera strömförsörjningen till ALLA modulkopplade enheter när underhåll utförs.

Monteringsplatser

Denna apparat kan antingen monteras på väggen eller i taket - se fig. 3 för få reda på olika monteringsplatser och avsnitten om 'Montering' nedan för monteringsdetaljer. Det krävs ett minsta avstånd på 100 mm från apparatens överdel till taket (se 'a' i fig. 1) och även avståndet mellan apparatens botten och dörrens ovasida bör vara minst 100 mm (se 'b' i fig. 1).

Väggmontering

Om du använder väggkonsolen som ledare (se fig. 2) ska du märka ut var hålen ska vara på väggen (minst en höjd på 2,0 meter krävs från golvnivå till undersidan på konsolen). Placera konsolen så att luftuttaget på de installerade luftspärrarna är så nära dörröppningens ovasida som möjligt, men så att det förblir oblockerat när installationen är klar.

Solida tegel- eller betongväggar måste borrar och pluggas (med hjälp av ett vattenpass - se 'x' fig. 2 - för att kontrollera att konsolen är plan) med väggplugg av storlek nr. 8 med fiberborrskår. Pluggen måste sättas i den solida delen av väggen och inte bara i gipsskiktet.

När du monterar på 'panel'-väggar bör väggkonsolen fästas i regelkonstruktionen med träskruvar nr. 8 eller med hjälp av en annan lika säker monteringsmetod.

När väggkonsolen har monterats kan luftspärren sättas på plats såsom visas i fig. 3a.

Takmontering

Om du använder gänginsatser i den övre panelen på luftspärren kan du få fäste i taket över produkten genom att använda lämplig M8 gängad stålstav eller liknande stöd med tillräcklig styrka - se fig. 3b.

Elektrisk anslutning

Alla produkter är utrustade med en mikroprocessorkontroll. Elektriska kraft- och kontrollanslutningar görs såsom visas i fig. 6. En lämplig lokal fränkskylare måste finnas i den elektriska strömförsörjningskretsen med minst 3 mm säkerhetsmarginal på varje pol.

Ta bort utloppsgallren ('x' och 'y' i fig. 4) genom att lossa på snabbutlösningsfästena och vända på listerna såsom visas. Ta bort bottenpanelen ('z' i fig. 4).

Alla elektriska modeller - När en 'utstansning' i den övre panelen har avlägsnats ska du tillföra en lämplig matningskabel (se 'a' i fig. 6A) genom en lämplig genomföring (ingår ej), anbringad i den övre panelen och fäst vid anslutningsplinten (se 'b' i fig. 6A).

Alla vattenuppvärmda och ej vattenuppvärmda (ambient-) modeller - När du har avlägsnat en 'utstansning' i den övre panelen ska du föra in en lämplig matningskabel (se 'a' i fig. 6B) genom en passende genomföring (ingår ej) som finns i den övre panelen och fäst vid PCB (se 'b' i fig. 6B).

Alla modeller - En lämplig kabel (CAT5 eller liknande) för en instrumentpanel (byggsatsreferens - CAB5 för elektriskt uppvärmda modeller eller CAB6 för vattenuppvärmda/ej uppvärmda modeller) kan på samma sätt föras in genom den övre panelen och anslutas till krets-kortet, som visas i fig. 6A & 6B. Om enheten ska användas tillsammans med en dörrromkopplare, ska en normalt öppen omkopplare installeras enligt fig. 7 & 8.

Obs! Om en dörrromkopplare används krävs ytterligare 2 kärnor (låg spänning) mellan dörrromkopplaren och luftspärrarna.

Om enheten ska kopplas till ett kontrollsystem för byggnadsenergistyning (BEMS) ska anslutningar göras enligt fig. 7 & 8. Kontrollera att lufttridån är säkert fastsatt i position och att matningskabeln är stadigt fastklämd innan du börjar använda apparaten.

Vattenanslutning

Modeller som är byggda för att användas tillsammans med lågtrycksvarmvattentillförsel bör anslutas individuellt (i en parallell strömkrets) till genomströmningen i rörmätet. Anslutningar (se 'a' i fig. 5) är: ½ "BSPT (serie CAB) och ¾ "BSPT (serie DAB) och skalventiler (se 'b' i fig. 5) bör anbringas så nära luftspärrens anslutningspunkter som möjligt. För driftsättning anbringas lufttattsventiler (se 'c' i fig. 5) till spolen, vilken du kan nå om du tar bort den lägre panelen och intagsgallret - se fig. 4. Avtappningsventilen (se 'd' i fig. 5) kan också nås när gallret och den lägre panelen tas bort.

Maximalt vattentillförselstillstånd är 125°C och 8 bar.

Vattenspolanslutningarna kan flyttas till endera sida av apparaten för att underlätta installation. Genom att flytta vattenspolarna och tillämpliga utstansade delar, kan vattenspolarna sättas tillbaka in i den erforderliga placeringen. Denna procedur ska utföras innan apparaten monteras.

Modeller

Modell	Värme uteffekt kW	Elektrisk Spänningskälla	Elektrisk belastning A	Vikt Kg	Max Installerad höjd m
EJ UPPVÄRMD / KALL FÖRVARING					
CAB10A	ej tillämpligt	220-240V ~1PN	0,3	15,5	2,7
CAB15A	ej tillämpligt	220-240V ~1PN	0,5	21,5	2,7
DAB10A	ej tillämpligt	220-240V ~1PN	1,5	21,5	4,0
DAB15A	ej tillämpligt	220-240V ~1PN	2,3	27,5	4,0
ELEKTRISKT UPPVÄRMD					
CAB10E	4,5 / 9,0	380-415V ~3PN	14	20,5	2,7
CAB15E	6,75 / 13,5	380-415V ~3PN	20	29	2,7
DAB10E	6,0 / 12,0	380-415V ~3PN	18	26,5	4,0
DAB15E	9,0 / 18,0	380-415V ~3PN	27	35	4,0
VATTENUPPVÄRMD (vid 82/71 °C - LPHW)**					
CAB10W	9,0	220-240V ~1PN	0,3	17,7	2,7
CAB15W	13,5	220-240V ~1PN	0,5	24,6	2,7
DAB10W	12,0	220-240V ~1PN	1,5	24,7	4,0
DAB15W	18,0	220-240V ~1PN	2,3	31,9	4,0

Elektrisk

Installationen av denna apparat bör utföras av en behörig elektriker och vara i enlighet med aktuella installationsföreskrifter.

Installation av instrumentpanel

Baksideboxen (standard dubbelgångad) ska fällas in i en lämplig vägg. Den ska passas in så att instrumentpanelen sitter jäms med väggen. Använd lämpliga skyddsror där det är möjligt för att leda kablarna mellan elementet och instrumentpanelen. En CAT5 LAN-kabel med genomgående anslutningar ska användas för att ansluta instrumentpanelen med enhetens PCB.

Varning! Kontrollera att kabeln är säker och att kabelns sträckning inte kommer i kontakt med värmeelementen eller andra rörliga delar. Testa alla instrumentinställningar när installationen har genomförts.

Elektriskt uppvärmda typer

Användning med kopplingsdosa - CABC5

Slå på luftridåns strömförsörjning. Vrid omkopplaren till önskad värmeinställning. Möjliga inställningar är:

OFF (AV) - Låg fläkt - Låg fläkt med låg värme &

Hög fläkt - Hög fläkt med låg värme - Hög fläkt med full värme

Strömbrytaren (automatisk/manuell) låter dig manuellt sköta dörrens strömställare om sådan finns. Då kan apparaten gå på önskad inställning, medan automatiskt läge ger en energibesparing genom att stänga av apparaten medan dörren är stängd.

Enheten ska alltid stängas AV (OFF) med kontrollen till kopplingsdosan och inte genom att nätanslutningen bryts.

När enheten stängs av (via kopplingsdosan) kommer fläkten att gå i cirka 1 minut utan värme för att släppa ut all resterande energi från värmeelementen.

När den först sätts igång kommer kontrollen att utföra en systemundersökning. De valda inställningarna kommer att nås och upprätthållas efter en period på 30 sekunder.

Termostatisk kontroll (tillval)

Genom att tillsätta en enpolig bimetalrisk eller elektronisk termostat till anslutningarna enligt 'C' i fig. 7 får du följande funktion beroende på värmeomkopplingsinställning.



- Enbart fläkt - Ingen effekt



- Halv värme - Värmaren reducerar till endast fläkt



- Full värme - Värmaren reducerar till halv värme

Termisk säkerhetspropp

Strömförsörjningen till värmeelementen avbryts om en eller flera av följande onormala händelser inträffar:

1. Luftintaget eller uttagsgallren är blockerade.
2. Inre ventilation är nedsatt på grund av damm och ludd.
3. Ventilenshet fastnar.

För att återställa de termiska säkerhetspropparna ska du nå återställningsknapparna såsom visas i fig. 9. Innan du återställer måste orsaken till aktiveringen fastställas och korrigering måste ske.

Strömställarkontroll till dörr (elektriska modeller)

Genom att inkludera en dörrströmställare i strömkretsen såsom i 'D' i fig. 7 kommer luftspärren att svara på dörröppningarna enligt följande:

- (1) Dörröppning kommer att aktivera luftspärren enligt de inställda villkoren (kopplingsdosans inställningar).
- (2) Vid dörrstängning kommer apparaten att fortsätta fungera enligt de inställda villkoren i en minut till.
- (3) Mellan 1 och 2 minuter från det att dörren stängts kommer den att börja gå igen på ½ värme (om värme är vald) och ½ fläkt.
- (4) Mellan 2 och 3 minuter kommer endast fläktens (½ hastighet) nedstängningscykel att vara aktiverad.
- (5) Efter 3 minuter återgår luftspärren till utgångsläge tills dörren öppnas igen.

Om dörren öppnas igen under denna 3-minuterscykel kommer processen att starta igen (1).

Typer av lågtrycksvarmvatten uppvärmt / ej uppvärmt (endast fläkt)

Användning med kopplingsdosa - CABC6

Slå på luftridåns strömförsörjning. Vrid omkopplaren till önskad värmeinställning. Möjliga inställningar är:

OFF (AV) - Låg fläkt - Hög fläkt

Strömbrytaren (automatisk/manuell) låter dig manuellt sköta dörrens strömställare om sådan finns. Då kan apparaten gå på önskad inställning, medan automatiskt läge ger en energibesparing genom att stänga av apparaten medan dörren är stängd. Enheten ska alltid stängas AV (OFF) med kontrollen till kopplingsdosan och inte genom att nätanslutningen bryts.

När den först sätts igång kommer kontrollen att utföra en systemundersökning. De valda inställningarna kommer att nås och upprätthållas efter en period på 30 sekunder.

Termostatisk kontroll (tillval)

1) En termostatisk regleringsventil med en fjärravkänningskula (ingår ej) kan placeras i tillförselvattnets rörmät för att reglera värmeutsläppet.

2) En elektrisk 3-ingångs solenoidventil kan också anslutas till systemet. Kontakta ditt serviceombud för ytterligare information.

Strömställarkontroll till dörr (Vattenuppvärmda / ej uppvärmda modeller)

Genom att omfatta en dörrströmställare i strömkretsen såsom i Fig. 8 såsom lämpligt kommer luftspärren att svara på dörröppningarna enligt följande:

- (1) Dörröppning kommer att aktivera luftspärren enligt de inställda villkoren (kopplingsdosans inställningar).
- (2) Vid dörrstängning kommer apparaten att fortsätta fungera enligt de inställda villkoren i en minut till.
- (3) Mellan 1 och 2 minuter från det att dörren stängts kommer ½ fläkt att aktiveras igen.
- (4) Efter 2 minuter återgår luftspärren till utgångsläge tills dörren öppnas igen.

Om dörren öppnas igen under denna 2-minuterscykel kommer processen att starta igen (1).

Kopplingsschema

CAB & DAB 'E' - Elektriska modeller - se fig. 7

CAB & DAB 'W' & 'A' - Vattenuppvärmda & ej uppvärmda modeller - se fig. 8

C -	Termostat
D -	Dörrströmställare (tillval)
E -	Termisk säkerhetspropp
F -	Element
G -	BMS-strömställare (tillval) (S, S1, S2)
M -	Motor

Fjärrstyrning (BMS / BEMS)

Anslutning till kontrollsystem för byggnadsenergistyning (BEMS) är möjlig så att fjärrkontroll av luftspärren kan utföras tillsammans med annan utrustning.

Modulanslutning

Se instruktioner som medföljer modulkopplingsatsen.

Infälld installation

Se instruktioner som medföljer satsen för infälld installation.

Återvinning



För elektriska produkter som säljs inom EU.

När elektriska produkter slutar fungera ska de inte slängas med hushållsavfall. Återvinn där sådana möjligheter finns. Kontakta lokala myndigheter eller återförsäljare för information om återvinning i ditt land.

Rengöring

VARNING: FRÅNKOPPLA STRÖMTILLFÖRSEL innan underhåll påbörjas.

Apparaten kan underhållas utvärdigt genom att du torkar av den med jämna mellanrum med en fuktig trasa; om du ska ta bort fläckar kan du tvätta med en svag tvällösning på en trasa och sedan torka ytan torr. Du måste vara noga med att undvika all fukt som kan tränga in i produkten.

Service efter försäljning

Om du behöver service eller reservdelar ska du kontakta återförsäljaren som du köpte apparaten från eller kontakta det servicenummer på garantikortet som gäller för ditt land.

Returnera inte en felaktig produkt direkt till oss eftersom detta kan resultera i att apparaten försvinner eller skadas eller fördröjning av en tillfredställande service. Behåll ditt kvitto som inköpsbevis.

Dimplex Kompaktluftbarrierer

Modeller: CAB10E, CAB15E, CAB10W, CAB15W, CAB10A, & CAB15A

DAB10E, DAB15E, DAB10W, DAB15W, DAB10W, & DAB15W

VIGTIGT: DENNE VEJLEDNING BØR LÆSES OMHYGGELIGT OG GEMMES TIL SENERE BRUG

VIGTIGE RÅD OM SIKKERHED

Luftindsugnings- og luftudblæsningsgitteret MÅ IKKE DÆKKES TIL ELLER BLOKERES.

SØRG FOR AT APPARATET ER JORDFORBUNDET.

Anvend ikke varmeblæseren på steder, hvor der er overdrevent meget støv.

Denne varmeblæser må ikke anbringes direkte over eller under en fast stik- eller forureningsdåse.

Slå altid strømmen fra, før der arbejdes på dette produkt.

Der skal være en passende slutning til lokaliteternes faste el-installationer ved siden af apparatets endelige placering.

Dette produkt skal monteres forsvarligt og kun på solide væg- eller loftsoverflader.

Dette produkt må ikke udsættes for vandsprøjt og må heller ikke nedsænkes i vand.

Sørg for, at strømforsyningskablerne har den rette strømføringskapacitet og er beskyttede af en passende sikring.

Hvis apparatet monteres på et toilet eller badeværelse, bør det monteres på en sådan måde, at en person i et badekar eller en bruseniche ikke kan komme i kontakt med nogen del af apparatet.

Hvis apparatet monteres på et toilet eller badeværelse, skal der opsættes en skilleafbryder uden for badeværelset ved siden af indgangsdøren.

Dette apparat er ikke beregnet til at blive brugt af personer (herunder børn) med nedsatte fysiske evner, sanseapparat eller mentale evner eller manglende erfaring og viden, medmindre de overvåges eller har fået vejledning i brug af apparatet af en person med ansvaret for deres sikkerhed.

Dette varmeapparat er ikke udstyret med en enhed til at styre rumtemperaturen. Undlad at bruge dette varmeapparat i små rum, når de anvendes af personer, som ikke kan forlade rummet, medmindre der er sørget for konstant overvågning.

ADVARSEL: Isolér elektrisk forsyning til ALLE modulforbundne enheder, når der udføres vedligeholdelse.

Modeller

Model	Varmeydelse kW	El-forsyning	Elektrisk belastning A	Vægt Kg	Maks. Installationshøjde m
OMGIVENDE TEMP. / KOLD OPBEVARING					
CAB10A	ikke aktuel	220-240V ~1PN	0,3	15,5	2,7
CAB15A	ikke aktuel	220-240V ~1PN	0,5	21,5	2,7
DAB10A	ikke aktuel	220-240V ~1PN	1,5	21,5	4,0
DAB15A	ikke aktuel	220-240V ~1PN	2,3	27,5	4,0
ELEKTRISK OPVARMET					
CAB10E	4,5 / 9,0	380-415V ~3PN	14	20,5	2,7
CAB15E	6,75 / 13,5	380-415V ~3PN	20	29	2,7
DAB10E	6,0 / 12,0	380-415V ~3PN	18	26,5	4,0
DAB15E	9,0 / 18,0	380-415V ~3PN	27	35	4,0
VANDOPVARMET (ved 82/71 °C - LPHW)**					
CAB10W	9,0	220-240V ~1PN	0,3	17,7	2,7
CAB15W	13,5	220-240V ~1PN	0,5	24,6	2,7
DAB10W	12,0	220-240V ~1PN	1,5	24,7	4,0
DAB15W	18,0	220-240V ~1PN	2,3	31,9	4,0

Krav til el-installationer

Installationen af dette apparat bør udføres af en kompetent elektriker og være i overensstemmelse med IEEs kabelføringsregulativer.

Fastgøringspositioner

Dette apparat kan enten monteres på væggen eller i loftet - se forskellige fastgøringspositioner i Fig. 3, samt 'Montering'-afsnittene nedenfor for detaljerede oplysninger omkring opsætning. Der kræves en minimumsafstand på 100 mm fra det øverste af apparatet og til loftet (se 'a' i Fig. 1.) og desuden bør afstanden mellem det nederste af apparatet og det øverste af døren holdes på et minimum (se 'b' i Fig. 1).

Montering på væggen:

Med vægmonteringsbeslaget som hjælp (se Fig. 2) markeres hullernes positioner på væggen (der kræves en minimumshøjde på 2,0 meter fra gulvet til det nederste af beslaget). Anbring beslaget på en sådan måde, at de installerede luftbarrierers udblæsning vil være så tæt på det øverste af døråbningen som muligt uden at blive blokeret, når installationen er tilendebragt.

Massive mursten eller betonblokke skal bores, og der skal isættes 8 mm fiberrawplugs (brug et vaterpas som hjælp - se 'x' i Fig. 2 - til at sikre, at beslaget er i vater). Rawplugs skal anbringes i den massive del af væggen og ikke i fugen.

Når apparatet monteres på panelvægge, bør monteringsbeslaget fastgøres til stolperne med 8 mm træskrue eller med en anden fastgøringsmetode, der er lige så sikker. Når vægbeslaget er monteret, kan luftbarrieren klipses på plads som vist i Fig. 3a.

Montering i loftet

Ved at bruge de gevindskårne indsatser i luftbarrierens toppanel kan det lade sig gøre at fastgøre produktet til et loft med brug af passende M8 gevindskårne stålstænger eller lignende afstivere af tilstrækkelig styrke - se Fig. 3b.

Elektrisk forbindelse

Alle produkter er udstyret med en mikroprocessorstyreenhed. Elektriske strøm- og styringsforbindelser foretages som vist i Fig. 6. Der skal være en lokal skilleafbryder i det elektriske kredsløb med mindst 3 mm spillerum på hver pol.

Fjern udblæsningsgitterene ('x' og 'y' i Fig. 4) ved at udløse 'quick release'-fæstnerne og hængsle profilpladerne som vist. Fjern bundpanelet ('z' i Fig. 4).

Alle elektriske modeller - Efter at have fjernet en udstansning i toppanelet føres et passende strømforsyningskabel (se 'a' i Fig. 6A) gennem en passende pakningsbøsning (medfølger ikke) anbragt i toppanelet, hvorefter kablet fastgøres til klemrækken (se 'b' i Fig. 6A).

Alle vandopvarmede modeller og modeller til omgivende luft - Når du har fjernet en udstansning i toppanelet, skal du indføre et passende forsyningskabel (se 'a' på Fig. 6B) gennem en passende bøsning (medfølger ikke) i toppanelet og forbinde det til kredsløbskortet (se 'b' på Fig. 6B).

Alle modeller - Et egnet kabel (CAT5 eller tilsvarende) til et kontaktpanel (kit ref. - CAB5 for elektrisk opvarmede modeller eller CAB6 til vandopvarmede/modeller til omgivende luft) kan tilsvarende tilkobles gennem toppanelet og kobles til kredsløbskortet, som vist på Fig. 6A og 6B. Hvis enheden skal anvendes i forbindelse med en dørkontakt, skal der tilsluttes en normal åben kontakt som på Fig. 7 og 8 efter behov.

Bemærk! Ved brug af en dørkontakt er et ekstra kabel med to ledere (lavspænding) nødvendigt mellem dørkontakten og luftbarriererne.

Hvis enheden skal tilsluttes til bygningens energistyringssystem, skal der foretages tilslutninger som på Fig. 7 og 8 efter behov. Sørg for, at luftafskærmningen er sikkert fastgjort, og at forsyningskablerne er forsvarligt monteret, før apparatet anvendes.

Vandforbindelse

Modeller, der er designet til at blive brugt i forbindelse med en forsyning af varmt vand under lavt tryk, bør forbindes individuelt (i et parallelt kredsløb) til flow- og returrørforbindingen. Forbindelserne (se 'a' i Fig. 5) er: ½" BSPT (CAB serie) og ¾" BSPT (DAB serie) og isoleringsventilerne (se 'b' i Fig. 5) bør monteres så tæt på luftbarrierens forbindelsespunkter som muligt. Med henblik på indkøring, monteres der luftudtømningsventiler (se 'c' i Fig. 5) på spolen, som man kommer ind til ved at fjerne det nedre panel og indsugningsgitter - se Fig. 4. Der er også adgang til afløbet (se 'd' i Fig. 5), når det nedre gitter og panel er fjernet.

De maksimale forhold for vandforsyningen er 125°C og 8 bar.

For at lette installationen, kan vandpoleforbindelserne flyttes til den ene eller den anden af apparatets sider. Ved at tage spolen og de rette udstansninger ud, kan vandspolen genindsættes, så den vender, som man ønsker. Dette bør gøres, inden apparatet monteres.

Installation af kontaktpanel

Bagsideboksen (standard dobbelt række) forsænkes i en egnet væg. Boksen skal monteres, så kontaktpanelet er i plan med væggen. En egnet kanal skal anvendes, hvor det er relevant, til at føre kablet mellem varmeapparatet og kontakten. Et CAT5 LAN-kabel med lige gennemføringsstilslutninger skal bruges til at tilslutte kontaktpanelet til apparatets kredsløbskort.

Advarsel! Kontroller, at kablet er fastgjort, og at kabelføringen ikke kommer i kontakt med varmeelementer eller bevægelige dele. Test alle kontaktdstillinger, når installationen er afsluttet.

Elektrisk opvarmede varianter

Anvendelse af en kontaktboks - CAB C5

Tænd for elforsyningen til luftgardinet. Drej kontakten til den ønskede varmeindstilling. De mulige indstillinger er:

OFF - Lav blæser - Lav blæser med lav varme og

Høj blæser - Høj blæser med lav varme - Høj blæser med fuld varme

Vippekontakten (Auto/Manuel) muliggør manuel tilsidesættelse af en dørkontakt, hvis en sådan er monteret. Manuel giver mulighed for, at apparatet kan køre i den ønskede indstilling, mens Auto er en energibesparende funktion, hvor apparatet lukkes ned, når døren lukkes.

Enheden skal altid slukkes (indstillingen OFF) ved hjælp af kontaktboksen og ikke på hovedafbryderen.

Når enheden slukkes (via kontaktboksen), kører blæseren i 1 minut uden varmeafgivelse for at afgive restenergi fra varmeelementerne.

Når der tændes første gang, kører kontrolfunktionen gennem et systemtjek. De valgte indstillinger nås og bevares efter en periode på 30 sekunder.

Termostatstyring (ekstra)

Ved anvendelse af en enkeltpolet bimetalisk eller elektronisk termostat i tilslutningerne som på 'C' på Fig. 7 opnås følgende funktionalitet afhængigt af varmekontaktens indstilling

 - Kun blæser - Ingen virkning

 - Halv varme - Varmeapparatet reducerer kun blæseren

 - Fuld varme - Varmeapparatet reducerer til halv varme

Termiske sikkerhedsafbrydelser

Strømforsyningen til varmeelementerne vil blive afbrudt, hvis én eller en kombination af følgende unormale hændelser opstår:

1. Luftindsugnings- eller udblæsningsgitrene bliver blokeret.
2. Den interne ventilation bliver forringet pga. ophobning af støv og nullermænd.
3. Blæseenheden går i stå.

For at nulstille de termiske sikkerhedsafbrydelser, skal man få adgang til nulstillingsknapperne som vist i Fig. 9. Før der nulstilles, skal årsagen til aktiveringen fastslås og udbedrende handling foretages.

Dørkontaktstyring (Elektroniske modeller)

Ved at inkludere en dørkontakt i kredsløbet som 'D' i Fig. 7, reagerer luftbarrieren på at døren åbnes. Det sker som følger:

- (1) Åbning af døren strømfører luftbarrieren til de indstillede forhold (indstillinger i kontaktskab).
- (2) Når døren lukkes, fortsætter driften i henhold til de indstillede forhold i yderligere 1 minut.
- (3) Imellem 1 minut og 2 minutter fra døren er blevet lukket, vil tilbageslagsdrift, ½ varme (hvis der er valgt varme) og ½ blæser blive aktiveret.
- (4) Imellem 2 minutter og 3 minutter igangsættes 'kun blæser' (½ hastighed) nedlukningscyklussen.
- (5) Efter 3 minutter går luftbarrieren tilbage i en dvaletilstand, indtil døren atter åbnes.

Hvis døren åbnes igen under den 3 minutter lange cyklus, starter processen forfra ved (1).

Modeller, der er vandopvarmede ved lavt tryk / Omgivende temp. (kun blæser)

Anvendelse af en kontaktboks - CAB C6

Kontakt på elforsyningen til luftgardinet. Drej kontakten til den ønskede varmeindstilling. De mulige indstillinger er:

OFF - Lav blæser - Høj blæser

Vippekontakten (Auto/Manuel) muliggør manuel tilsidesættelse af en dørkontakt, hvis en sådan er monteret. Manuel giver mulighed for, at apparatet kan køre i den ønskede indstilling, mens Auto er en energibesparende funktion, hvor apparatet lukkes ned, når døren lukkes. Enheden skal altid slukkes (indstillingen OFF) ved hjælp af kontaktboksen og ikke på hovedafbryderen.

Når der tændes første gang, kører kontrolfunktionen gennem et systemtjek. De valgte indstillinger nås og bevares efter en periode på 30 sekunder.

Termostatstyring (ekstra)

1) En termostatstyret reguleringsventil med en fjernføler (medfølger ikke) kan placeres i rørføringen til vandforsyningen til regulering af varmeafgivelsen.

2) En elektrisk 3-polet magnetventil kan også tilsluttes til systemet. Kontakt serviceagenten, og brug kontaktoplysningerne til at få flere oplysninger.

Dørkontaktstyring (Vand / Omgivende temp. modeller)

Ved at inkludere en dørkontakt i kredsløbet som vist i Fig. 8, som det passer sig, vil luftbarrieren reagere på, at døren bliver åbnet. Det sker som følger:

- (1) Åbning af døren vil strømføre luftbarrieren til de indstillede forhold (indstillinger i kontaktskab).
- (2) Når døren lukkes, vil driften fortsætte ved de indstillede forhold i yderligere 1 minut.
- (3) Imellem 1 minut og 2 minutter efter døren er blevet lukket, vil ½ blæser-tilbageslagsdriften aktiveres.
- (4) Efter 2 minutter vender luftbarrieren tilbage til en dvaletilstand, indtil døren atter åbnes.

Hvis døren åbnes i løbet af denne 2 minutter lange cyklus, vil processen starte forfra ved (1).

Kabelføringsdiagrammer

CAB & DAB 'E' - Elektriske modeller - se Fig. 7

CAB & DAB 'W' & 'A' - Vand & Omgivende temp. modeller - se Fig. 8

C -	Termostat
D -	Dørkontakt (ekstra)
E -	Termisk sikkerhedsafbryderkredsløb
F -	Elementer
G -	BMS-kontakter (ekstra) (S, S1, S2)
M -	Motor

Fjernbetjening (BMS / BEMS)

Det er muligt at forbinde til bygningsenergistyrsystemer (BEMS), således at luftbarrieren kan fjernbetjenes i sammenhæng med andet udstyr.

Modulær forbindelse

Der henvises til den vejledning, der følger med sættet til modulær forbindelse.

Indbygget installation

Der henvises til den vejledning, der følger med sættet til indbygget installation.

Genbrug



For elektriske produkter, der sælges i EU.

Når det elektriske produkt har nået slutningen af levetiden, må det ikke kasseres sammen med husholdningsaffald. Skal genbruges, hvor passende faciliteter findes. Spørg kommunen eller forhandleren til råds om gældende regler for genbrug.

Rengøring

ADVARSEL: STRØMFORSYNINGEN SKAL AFBRYDES, inden der udføres vedligeholdelse.

Den ydre fremtoning kan vedligeholdes ved lejlighedsvis aftørring med en fugtig klud. For at fjerne pletter kan der påføres en mild sæbeopløsning med en klud, hvorefter overfladen tørres af med en tør klud. Sørg for, at der ikke kommer noget fugt ind i apparatet.

Service efter salg

Hvis der er brug for eftersalgsservice eller reservedele, kontaktes den forhandler, som har solgt apparatet, eller det relevante servicenummer, som findes på garantikortet.

Undlad venligst at returnere et fejlbehæftet produkt til os i første omgang, da det kan resultere i tab eller skade, samt forsinkelse mht. at yde en tilfredsstillende service.

Kvitteringen bedes opbevaret som købsbevis.

Kompaktit Dimplex-ilmasulut

Mallit : CAB10E, CAB15E, CAB10W, CAB15W, CAB10A, & CAB15A
DAB10E, DAB15E, DAB10W, DAB15W, DAB10W, & DAB15W

TÄRKEÄÄ: LUE OHJEET HUOLELLISESTI LÄPI JA SÄILYTÄ NE TULEVAAN TARVETTA VARTEN

TÄRKEÄ TURVALLISUUTTA KOSKEVA OHJE

ÄLÄ PEITÄ TAI TUKI ilman tuloaukkoa tai lähtöritiliä.

VARMISTA, ETTÄ LAITE ON MAADOITETTU.

Älä käytä tätä lämmitintä sellaisissa paikoissa, joissa on liikaa pölyä.

Tätä lämmitintä ei saa sijoittaa suoraan kiinteän pistorasian tai kytkentärasian ylä- tai alapuolelle.

Katkaise aina virta ennen kuin aloitat työn tämän laitteen parissa.

Laitteen lopullisen sijoituspaikan yhteyteen tulee liittää paikan kiinteään johdotukseen soveltuva päätte.

Tämän laitteen saa asentaa turvallisesti vain pitävälle seinälle tai pitävään kattoon.

Tuotetta ei saa altistaa vesisuihkeelle tai upottaa veteen.

Varmista, että virtakaapelit ovat kapasiteetiltaan riittävän suuret ja että ne on suojattu asianmukaisella sulakkeella.

Jos laite asennetaan käymälään tai pesutilaan, laite on asennettava siten, ettei kukaan kiinteää kylpyä tai suihkua käyttävä henkilö pääse koskettamaan mitään sen osaa.

Jos laite asennetaan käymälään tai pesutilaan, pesutilan oven viereen on asennettava turvakatkaisin.

Tätä laitetta ei ole tarkoitettu fyysisesti, sensorisesti tai henkisesti vajaavaisten henkilöiden, kokemattomien ja laitetta tuntemattomien henkilöiden (mukaan lukien lapset) käyttöön ilman, että heidän turvallisuudestaan vastaava henkilö avustaa tai antaa ohjeita laitteen käytöstä.

Tässä lämmitimessä ei ole huoneen lämpötilaa säätävää laitetta. Älä käytä lämmitintä pienessä huoneessa, jos huoneessa on henkilöitä, jotka eivät pysty poistumaan huoneesta, ellei heitä valvota jatkuvasti.

VAROITUS: Eristä KAIKKIEN modulaarisesti linkitettyjen laitteiden sähkönsyöttö huollon ajaksi.

Mallit

Malli	Lämmön tuotto kW	Sähkö- virta	Sähkö- kuorma A	Paino kg	Suurin asennus- korkeus m
HUONEENLÄMPÖINEN / KYLMÄ MYYMÄLÄ					
CAB10A	-	220-240V ~1PN	0,3	15,5	2,7
CAB15A	-	220-240V ~1PN	0,5	21,5	2,7
DAB10A	-	220-240V ~1PN	1,5	21,5	4,0
DAB15A	-	220-240V ~1PN	2,3	27,5	4,0
SÄHKÖLÄMMITYS					
CAB10E	4,5 / 9,0	380-415V ~3PN	14	20,5	2,7
CAB15E	6,75 / 13,5	380-415V ~3PN	20	29	2,7
DAB10E	6,0 / 12,0	380-415V ~3PN	18	26,5	4,0
DAB15E	9,0 / 18,0	380-415V ~3PN	27	35	4,0
VESILÄMMITYS (82/71 °C - LPHW)**					
CAB10W	9,0	220-240V ~1PN	0,3	17,7	2,7
CAB15W	13,5	220-240V ~1PN	0,5	24,6	2,7
DAB10W	12,0	220-240V ~1PN	1,5	24,7	4,0
DAB15W	18,0	220-240V ~1PN	2,3	31,9	4,0

Sähkötekniset tiedot

Tämän laitteen saa asentaa vain valtuutettu sähköasentaja. Asennuksessa on noudatettava IEE:n johdotuksia koskevia säännöksiä.

Asennuskohdat

Tämä laite voidaan asentaa joko seinälle tai kattoon. Katso kuvasta 3 eri asennuskohdat ja alla olevan kohdan "Asennus" tiedot. Laitteen yläosan ja katon väliin on jätettävä vähintään 100 mm:n tila (katso kohta "a" kuvassa 1). Myös laitteen alaosa ja oven yläosan väliin on jätettävä vaadittu minimi-tila (katso kohta "b" kuvassa 1).

Seinäasennus

Käytä seinäasennuskiinnikettä ohjeena (katso kuva 2) ja merkitse reikien porauskohdat seinään (lattian tason ja kiinnikkeen alaosaan väliin on jätettävä vähintään 2,0 m tilaa). Sijoita kiinnike siten, että asennettujen ilmasulkujen ilmalähtö on mahdollisimman lähellä ovivaikon yläosaa. Kun asennus on valmis, ovivaikossa ei kuitenkaan saa olla esteitä.

Tiili- tai betoniseinissä on käytettävä asennusproppua (varmista kiinnikkeen suoruus vesiväällä, katso kohta "x" kuvassa 2). Käytä koon 8 asianmukaista proppua. Propun on ulotuttava seinän kiinteään osaan eikä pelkästään rappaukseen.

Kun teline kiinnitetään paneeliseinään, seinäkiinnike on kiinnitettävä käyttämällä numeron 8 puuruuveja tai muuta, yhtä pitävää kiinnitysmenetelmää.

Kun seinäkiinnike on asennettu, ilmasulku voidaan asentaa paikalleen kuvan 3a mukaisesti.

Asennus kattoon

Kun ilmasulun yläpaneelissa käytetään kiertäviä väliskeiteitä, tuote voidaan asentaa kattoon käyttämällä koon M8 kierretasterastankoja tai muuta riittävän vahvaa tukeaa - katso kuva 3b.

Sähkökytkennät

Kaikissa tuotteissa on mikroprosessoriohjaus. Sähkö- ja ohjauskytkennät tehdään kuvan 6 mukaisesti. Sähköpiirissä on käytettävä sopivaa, paikallista eristyskytkintä. Kussakin navassa on oltava vähintään 3 mm:n väly.

Irrota lähtöritilät (kohdat "x" ja "y" kuvassa 4) vapauttamalla pikavapautuskiinnikkeet ja taittamalla saranoista kuvan osoittamalla tavalla. Irrota alapaneeli (kohta "z" kuvassa 4).

Kaikki sähkömallit - Kun olet irrottanut yläpaneelin irrotettavan osan, syötä sopiva virtakaapeli (katso kohta "a" kuvassa 6A) sopivan kaapelikiinnikkeen (ei kuulu toimituslaajuuteen) kautta. Asenna kaapelikiinnike yläpaneeliin ja liitä riviliittimeen (katso kohta "b" kuvassa 6A).

Kaikki vesilämmitteiset ja lämmittämättömät mallit - Kun olet poistanut lukituksen yläpaneelista, syötä sopiva syöttökaapeli (katso kohta "a" kuvassa 6B) sopivan kaapeliholkin (lisävaruste) läpi yläpaneelissa ja kiinnitä se piirilevyyden (katso kohta "b" kuvassa 6B).

Kaikki mallit - Sopiva kaapeli (CAT5 tai vastaava) kytkintaululle (pakkauksiin - CAB C5 sähkölämmitteisille malleille tai CAB C6 vesilämmitteisille/lämmittämättömille malleille) voidaan työntää samalla tavalla yläpaneelin läpi ja kytkeä piirilevyyden kuten osoitettu kuvassa 6A ja 6B. Jos laitetta käytetään yhdessä ovikytkimen kanssa, tavallisesti avoin kytkin on johdettava kuvan 7 ja 8 mukaisesti.

Huom.: Jos käytät ovikytkintä, ylimääräinen kaksijohdinkaapeli (matalajännite) vaaditaan ovikytkimen ja ilmasulkujen välille.

Jos laite kytketään rakennuksen energianhallintajärjestelmään, kytkennät suoritetaan kuvien 7 ja 8 mukaisesti. Varmista, että ilmasulku kiinnitetään kunnolla paikoilleen ja että syöttökaapelit kiinnitetään tiukasti ennen laitteen käyttöä.

Vesiliittämä

Mallit, jotka on suunniteltu käytettäväksi yhdessä pienipaineisen kuumavesijärjestelmän kanssa, on kytkettävä erikseen (rinnakkaispiiriin) virtaus- ja paluuputkistoon. Kytkennät (katso kohta "a" kuvassa 5) ovat: ½ "BSPT (CAB -sarja) ja ¾ " BSPT (DAB -sarja). Lisäksi eristysventtiilit (katso kohta "b" kuvassa 5) pitäisi asentaa mahdollisimman lähelle ilmasulun kytkentäpisteitä. Ilmausventtiilit (katso kohta "c" kuvassa 5) on asennettu käämiin käyttöönnottoa varten. Näihin venttiileihin pääsee käsiksi irrottamalla alapaneelin ja tuloritilän - katso kuva 4. Poistoon (katso kohta "d" kuvassa 5) pääsee myös käsiksi, kun ritilä ja alapaneeli irrotetaan.

Veden suurin sallittu lämpötila on 125 °C ja suurin sallittu paine on 8 baaria.

Asennuksen helpottamiseksi käämiiliittännät voidaan siirtää laitteen jommallekummalle puolelle. Kun käämi ja tarvittavat poisto-osat irrotetaan, ne voidaan sitten asettaa uudelleen haluttuun suuntaan. Tämä toimenpide tulisi suorittaa ennen laitteen kiinnittämistä.

Kytkintaulun asennus

Vastelaatikko (tavallinen kaksiosainen) on kiinnitettävä sopivaan seinään. Laatikko on asennettava siten, että kytkintaulu voidaan upottaa seinään. Käytä tarvittaessa sopivaa putkijohtoa kaapelin johdottamiseksi lämmittimen ja kytkimen välille. CAT5 LAN-kaapelia on käytettävä kytkemään kytkintaulu laitteen piirilevyyn.

Varoitus: Varmista, että kaapeli on kytketty oikein ja että kaapeli ei osu lämmitinelementtiin tai muihin liikkuviin osiin. Testaa kaikki kytkinasetukset kun asennus on suoritettu.

Sähköisesti lämmitettävät mallit

Käyttö kytkinkotelolla - CABC5

Kytke sähkövirta ilmaverhoon. Käännä kytkin haluttuun lämmitysasetukseen. Käytettävissä olevat asetukset:

POIS PÄÄLTÄ - Alhainen tuuletin - Alhainen tuuletin alhaisella lämmöllä & Suuritehoinen tuuletin - Suuritehoinen tuuletin alhaisella lämmöllä - Suuritehoinen tuuletin täydellä lämmöllä

Keinukytkin (automaattinen / manuaalinen) mahdollistaa ovikytkimen manuaalisen ohituksen. Manuaalinen asetus mahdollistaa laitteen käytön halutulla asetuksella. Automaattisessa asetuksessa on energiansäästötoiminto, joka sulkee sovelluksen kun ovi on kiinni.

Laitte on oltava aina POIS PÄÄLTÄ käytettäessä kytkinkotelo-ohjausta - ei verkkojännitteen keskeytystilassa.

Kun laite on kytketty pois päältä (kytkinkotelosta), tuuletin käy 1 minuutin ajan ilman vapautuvaa lämpöä tai lämmityselementtien jäännösenergiaa.

Ohjaus suorittaa järjestelmän tarkistuksen ensimmäisen päällekytkennän aikana. Valitut asetukset saavutetaan ja ylläpidetään 30 sekunnin kuluessa.

Lämpöohjaus (lisävaruste)

Kun yksinapainen kaksimetallinen tai elektroninen termostaatti liitetään kytkentään kohdan "C" (kuva 7) mukaisesti, seuraava lämmityskytkimen asetuksesta riippuva toiminto otetaan käyttöön.



- Suuritehoinen tuuletin - Ei vaikutusta



- Puolet lämpötehosta - Lämmitin siirtyy pelkään Tuuletin-tilaan



- Täysi lämpöteho - Lämmitin siirtyy pelkään Puolilämpö-tilaan

Termostaattilämpökatkaisut

Lämmitysvastusten virransyöttö katkaistaan, jos esiintyy jokin seuraavista epänormaaleista tilanteista tai niiden yhdistelmä:

1. Ilman tulo- tai lähtöritilä on tukossa.
2. Sisäinen ilmanvaihto on huonoa pölyn tai roskien kertymisen vuoksi.
3. Puhallin jumiuu.

Voit nollata termostaattilämpökatkaisut käyttämällä nollauspainikkeita, joihin pääsee käsiksi kuvan 9 mukaisesti. Ennen kuin nollaus tehdään, aktivoitumisen syy on selvitettävä ja se on korjattava.

Oven ohjauskytkin (sähköiset mallit)

Kun virtapiiriin asennetaan ovikytkin kuvan 7 kohdan "D" mukaisesti, ilmasulku vastaa oven avaamiseen seuraavasti:

- (1) Oven avaaminen aktivoi ilmasulun valituilla asetuksilla (kytkinrasian asetuksilla).
- (2) Kun ovi suljetaan, toiminta jatkuu valituilla asetuksilla vielä 1 minuutin ajan.
- (3) Kun oven sulkemisesta on kulunut 1 - 2 minuuttia, palautustoiminto, ½ lämpö (jos lämpö on valittuna) ja ½ puhallin aktivoituvat.
- (4) Kun oven avaamisesta on kulunut 2 - 3 minuuttia, vain puhaltimen (½ nopeus) sulkeminen käynnistyy.
- (5) Kun avaamisesta on kulunut 3 minuuttia, sulku palaa lepotilaan, kunnes ovi avataan uudelleen.

Jos ovi avataan uudelleen 3 minuutin kuluessa, prosessi käynnistyy uudelleen (1).

Pienipaineisella vedellä lämmitetyt / huoneenlämpöiset (vain puhallin) versiot

Käyttö kytkinkotelolla - CABC6

Kytke sähkövirta ilmaverhoon. Käännä kytkin haluttuun lämmitysasetukseen. Käytettävissä olevat asetukset:

POIS PÄÄLTÄ - Alhainen tuuletin - Suuritehoinen tuuletin

Keinukytkin (automaattinen / manuaalinen) mahdollistaa ovikytkimen manuaalisen ohituksen. Manuaalinen asetus mahdollistaa laitteen käytön halutulla asetuksella. Automaattisessa asetuksessa on energiansäästötoiminto, joka sulkee sovelluksen kun ovi on kiinni. Laitte on oltava aina POIS PÄÄLTÄ käytettäessä kytkinkotelo-ohjausta - ei verkkojännitteen keskeytystilassa.

Ohjaus suorittaa järjestelmän tarkistuksen ensimmäisen päällekytkennän aikana. Valitut asetukset saavutetaan ja ylläpidetään 30 sekunnin kuluessa.

Lämpöohjaus (lisävaruste)

1) Termostaattinen säätöventiili etäkäyttöisellä anturilla (lisävaruste) voidaan sijoittaa syöttövesiputkeen säätämään lämmöntuottoa.

2) Elektroninen 3-porttinen solenoidiventtiili voidaan myös kytkeä järjestelmään. Saat lisätietoja ottamalla yhteyttä huoltopalveluun.

Oven ohjauskytkin (vesilämmitteiset / huoneenlämpöiset mallit)

Kun virtapiiriin asennetaan ovikytkin kuvan 8 mukaisesti, ilmasulku vastaa oven avaamiseen seuraavasti:

- (1) Oven avaaminen aktivoi ilmasulun valituilla olosuhteilla (kytkinrasian asetuksilla).
- (2) Kun ovi suljetaan, toiminta jatkuu valituilla asetuksilla vielä 1 minuutin ajan.
- (3) Kun oven sulkemisesta on kulunut 1 - 2 minuuttia, ½ puhaltimen palautustoiminto aktivoituu.
- (4) Kun avaamisesta on kulunut 2 minuuttia, sulku palaa lepotilaan, kunnes ovi avataan uudelleen.

Jos ovi avataan uudelleen 2 minuutin kuluessa, prosessi käynnistyy uudelleen (1).

Kytkentäkaaviot

CAB & DAB 'E' - Sähköiset mallit - katso kuva 7

CAB & DAB 'W' & 'A' - Vesilämmitteiset ja huoneenlämpöiset mallit - katso kuva 8

C -	Termostaatti
D -	Ovikytkin (lisävaruste)
E -	Lämpöturvan katkaisupiiri
F -	Elementit
G -	BMS-kytkimet (lisävaruste) (S, S1, S2)
M -	Moottori

Etäkäyttö (BMS / BEMS)

Laitteisto voidaan kytkeä energianhallintajärjestelmään (BEMS), jolloin ilmasulku voidaan etäohjata yhdessä muiden laitteiden kanssa.

Modulaarinen kytkentä

Katso modulaarisen kytkentäsarjan mukana tulleita ohjeita.

Kierrätys



Koskee EU-alueella myytyjä sähkölaitteita.

Kun sähkölaitteen käyttöikä on päättynyt, älä hävitä sitä kotitalousjätteen mukana. Kierrätä laite mahdollisuuksien mukaan. Saat lisätietoja kierrätysmahdollisuuksista paikallisilta viranomaisilta tai jälleenmyyjältä.

Uputusasennus

Katso upotusasennussarjan mukana tulleita ohjeita.

Puhdistus

VAROITUS: KATKAISE VIRRANSYÖTTÖ ennen huoltotyön aloittamista.

Laitte voidaan pyyhkiä kostealla kankaalla. Tahrat voidaan irrottaa käyttämällä mietoon puhdistusaineliuokseen kostutettua kangasta. Pyyhi pinta lopuksi kuivaksi. Varo, ettei laitteen sisään pääse kosteutta.

Myyntin jälkeinen palvelu

Jos tarvitset myyntin jälkeistä palvelua tai varaosia, ota yhteys liikkeeseen, josta ostit laitteen tai takuukortissa ilmoitettuun maakohtaiseen palvelunumeroon.

Älä palauta viallista tuotetta ensimmäiseksi meille, koska se saattaa kadota tai vahingoittaa ja tyydyttävän palvelun saaminen viivästyä.

Säilytä kuitti todisteena hankinnasta.

Dimplex KOMPAKTNE ZRAČNE ZAVESE

Modeli: CAB10E, CAB15E, CAB10W, CAB15W, CAB10A IN CAB15A
DAB10E, DAB15E, DAB10W, DAB15W, DAB10A IN DAB15A

POMEMBNO: POZORNO PREBERITE NAVODILA IN JIH OBDRŽITE TUDI ZA NADALJNJO UPORABO

POMEMBNI NASVETI ZA VARNO UPORABO:

Ne pokrivajte ali mašite zraka skozi vhodno ali izhodno rešetko

Prepričajte se, da je naprava ozemljena

Grelnika ne smete namestiti neposredno nad ali pod vgrajeno vtičnico ali priključno dozo

Grelnik vedno izključite preden se lotite namestitve

V bližini naprave je potrebno zagotoviti primerno povezavo z električnim omrežjem

Naprava je lahko priključena samo s fiksnim ožičenjem preko glavnega stikala

Vgrajujte vedno na varno in stabilno steno oziroma strop

Preverite, da so električni kabli odgovarjajočega preseka in zavarovani s primerno varovalko

Če napravo namestite v kopalnico ali toaletne prostore, mora biti vgrajena tako, da oseba, ki uporablja kopalno kad ali tuš, ne more priti v stik z njo

Če napravo namestite v kopalnico ali toaletne prostore, mora biti zunaj tega prostora nameščeno izolirno stikalo v neposredni bližini vhoda

Naprave naj ne uporabljajo osebe (in otroci) z zmanjšanimi fizičnimi, zaznavnimi ali duševnimi sposobnostmi; ljudje, ki nimajo potrebnih izkušenj in znanja, razen če jih oseba, ki je odgovorna za njihovo varnost, nadzira in usmerja pri uporabi naprave.

Grelci niso opremljeni z napravo, ki bi nadzirala sobno temperaturo. Grelca ne uporabljajte v majhnih prostorih, če so v njih osebe, ki prostorov ne morejo zapustiti – razen če so te osebe pod neprestanim nadzorom.

OPOZORILO: Pred vzdrževanjem prekinite dovod električne energije VSEM modularno povezanim enotam.

MESTO VGRADNJE

Naprave so prirejene za vgradnjo tako na steno kot na strop-glej... Slika 3 za različne možnosti namestitve. Pri vgradnji je potrebno upoštevati najmanjšo razdaljo 100mm med vrhom naprave in stropom (glej a na sliki 1), oziroma med spodnjim delom grelnika in vrhom vrat (glej b na sliki 1).

VGRADNJA NA ZID

Glede na konzolo za vgradnjo (glej sliko 3) na zidu označite mesta za luknje na višini najmanj 2 m od tal do konzole. Konzolo namestite tako, da bo izpuh zraka kar najbližje vrhu vhoda vendar po končani vgradnji ne bo oviran.

Potrebno je zvrtni v betonsko steno oziroma strop, z vodno tehniko zagotovite, da je konzola za vgradnjo vodoravna. Izvrtina mora biti zvrtna v trden del zidu, ne samo v vrhno plast.

Za vgradnjo na notranje panelne zidove ali stropove je najboljša rešitev podkonstrukcija, nanjo namestite konzolo za vgradnjo, ki jo privijete z vijaki na podkonstrukcijo. Uporabite vložke št. 8. Z vodno tehniko zagotovite, da je zaponka za vgradnjo naravnost (glej x na sliki 2) kot kaže slika 3a.

VGRADNJA NA STROP

Za vgradnjo na strop uporabite navojne vložke na zgornji plošči zračne zaves, ki jih pritrđite na M8 navojno palico ali podobno podporno rešitev zadostne moči – glej sliko 3b.

ELEKTRIČNA POVEZAVA

Vsi izdelki so opremljeni z mikroprocesorjem. Električna moč in kontrolne povezave so izvedene kot kaže slika 6. Zagotoviti je potrebno primerno odklopno stikalo v električnem omrežju z najmanj 3 mm prerezom na vsakem polu.

Odstranite izpušne rešetke (x in y na sliki 4) tako, da sprostite zaponke kot prikazano. Odstranite spodnjo ploščo ('z' na sliki 4) in odstranite pritisno ploščo (w na sliki 4).

Vsi električni modeli - Ko odstranite zaklop na zgornji plošči, vstavite ustrezen kabel (glej a na sliki 6A) skozi ustrezno uvodnico (ni priložena) pritrjeno na zgornjo ploščo in ga pritrđite na izhodno objemko. (Glej 'b' na sliki 6A).

Vsi vodno greti in prostorski modeli - Ko odstranite del zgornje plošče, ki se izbije, vstavite primeren dovodni kabel (glejte 'a' na sl. 6B) skozi ustrezno objemko za kabel (ni priložena), ki se vstavi v zgornjo ploščo, in ga pritrđite na tiskano vezje (glejte 'b' na sl. 6B).

Vsi modeli - Ustrezen kabel (CAT5 ali enakovreden) za stikalno ploščo (skl. - CAB C5 za električno grete modele oz. CAB C6 za vodno grete/prostorske modele) prav tako napeljete skozi zgornjo ploščo in vklopite v vezno ploščo, kot je prikazano na sl. 6A & 6B. Če bo enota delovala v povezavi s stikalom za vrata, je treba napeljati normalno odprto stikalo, glejte sl. 7 & 8, kakor je ustrezno.

Opomba: Če uporabljate stikalo za vrata, je med stikalom za vrata in zračnimi zaporami potreben dodaten 2-žilni kabel (nizka napetost).

Če bo enota povezana s sistemom za upravljanje energije v zgradbi, se povezave napeljejo situaciji primerno, kot je prikazano na sl. 7 & 8. Preden napravo vklopite, se prepričajte, da je zračna zavesa trdno pritrjena in da so dovodni kabli trdno pripeti.

VODNA POVEZAVA

Modeli, ki so izdelani za povezavo z ogrevno vodo, morajo biti povezani na dovod in povratek. Priključne dimenzije: (glej a na sliki 5): 1/2" BSPT (CAB modeli) in 1" BSPT (DAB modeli) in zaporni ventili (glej b na sliki 5) in morajo biti vgrajeni čim bližje zračni zavesi. Odzračevalni ventili (glej c na sliki 5) so pritrjeni na grelnik, ki jo dosežete če odstranite spodnjo ploščo in vhodno rešetko – glej sliko 4). Na enak način dosežete izpust vode. (glej d na sliki 5).

NAJVEČJE DOVOLJENE VREDNOSTI VODE SO 125°C IN 8 BAROV

Za lažjo vgradnjo se lahko priključki ogrevne vode izvedejo na levi ali desni strani naprave. Da bi to dosegli, je potrebno obrniti grelni register. Ta postopek je treba opraviti pred vgradnjo naprave.

MODELI

Model	Toplota kW	Napetost	Moč A	Teža kg	Največja višina instalacije m
BREZ GRELCEV/ZA HLADILNICE					
CAB10A	Ni	220–240V ~1PN	0,3	15,5	2,7
CAB15A	Ni	220–240V ~1PN	0,5	21,5	2,7
DAB10A	Ni	220–240V ~1PN	1,5	21,5	4,0
DAB15A	Ni	220–240V ~1PN	2,3	27,5	4,0
ELEKTRIČNI					
CAB10E	4,5 / 9,0	380–415V ~3PN	14	20,5	2,7
CAB15E	6,75 / 13,5	380–415V ~3PN	20	29	2,7
DAB10E	6,0 / 12,0	380–415V ~3PN	18	26,5	4,0
DAB15E	9,0 / 18,0	380–415V ~3PN	27	35	4,0
VODNI					
CAB10W	9,0	220–240V ~1PN	0,3	17,7	2,7
CAB15W	13,5	220–240V ~1PN	0,5	24,6	2,7
DAB10W	12,0	220–240V ~1PN	1,5	24,7	4,0
DAB15W	18,0	220–240V ~1PN	2,3	31,9	4,0

ELEKTRIKA

Namestitve teh naprav naj vedno opravi usposobljen električar v skladu s trenutnimi predpisi glede električne napeljave.

Namestitev stikalne plošče

Škatlico za hrbitišče (standardni dvojni vhod) vdelaite v primerno steno. Škatlico pritrdite tako, da bo stikalna plošča poravnana s steno. Za napeljavo kabla med grelcem in stikalom po potrebi uporabite primerno izolacijsko cev. Stikalno ploščo povežite s tiskanim vezjem prek direktnega kabla CAT5 LAN.

Pozor: Poskrbite, da bo kabel varen in da na svoji poti ne pride v stik z grelnim elementom ali drugimi gibljivimi deli. Ko končate namestitev, preskusite vse nastavitve stikal.

Električno grete variante

Upravljanje s stikalno ploščo – CABC5

Vklopite električno napajanje zračne zaves. Obrnite stikalo na zeleno nastavitvev gretja. Razpoložljive nastavitve so:

IZKLOP – rahel ventilator – rahel ventilator z rahlim gretjem in

Močan ventilator – močan ventilator z rahlim gretjem – močan ventilator z močnim gretjem

Klecko stikalo (samodejno/ročno) omogoča ročno krmiljenje stikala za vrata, če je vgrajeno. Ročna funkcija omogoča, da napravo uporabljate pri zeleni nastavitvi, samodejna pa skrbi za prihranek energije, tako da napravo izklopi, ko so vrata zaprta. **Enoto morate vedno izklopiti s krmilnikom stikalne plošče, ne s prekinitvijo napajanja iz omrežja.**

Ko je enota izklopljena (preko stikalne plošče), ventilator deluje še 1 minuto brez gretja, da odda preostalo energijo iz grelnih elementov.

Ko napravo prvič zaženete, se najprej izvede preverjanje sistema. Izbrane nastavitve doseže in začne ohranjati po 30 sekundah.

Termostatski nadzor (neobvezno)

Odvisno od nastavitve grelnega stikala lahko uvedete naslednjo funkcijo, tako da priključkom dodate enopolni bimetalni ali elektronski termostat, kot je prikazano pod 'C' na sl. 7.



– samo ventilator – ni učinka



– polovično gretje – grelec se zniža na samo ventilator



– polno gretje – grelec se zniža na pol gretja

TOPLOTNA VARNOSTNA STIKALA

V primeru, da se pojavi katerikoli ali kombinacija naslednjih neobičajnih pojavov, se samodejno prekine dovod elektrike grelniku.

1. rešetka za dovod ali izpuh zraka je prekrita.
2. Notranja ventilacija je onemogočena zaradi nabiranja prahu
3. ventilator se težko vrti

Za ponovno nastavitve varnostnih stikal uporabite gumb za resetiranje kot je prikazano na sliki 9. Pred resetiranjem morate obvezno ugotoviti vzrok za sprožitve varnostnega stikala in ga odpraviti.

STIKALO ZA VRATA (ELEKTRIČNI MODELI)

Z vključitvijo stikala za vrata v omrežje, kot je prikazano na sliki 7, D, se bo zračna zavesa odzivala na odpiranje vrat kot sledi:

1. Odpiranje vrat bo sprožilo nastavljen delovanje zračne zaves (nastavitve na stikalni plošči)
2. Po zapiranju vrat bo zavesa delovala še 1 minuto
3. med 1 in 2. minuto po zapiranju vrat se bo sprožilo delovanje sestavljeno iz toplenga pihanja (če je nastavljeno) in ventilatorja
4. med 2. in 3. minuto se bo začelo ugašanje s samo ventilatorskim delovanjem
5. po 3 minutah se bo zračna zavesa vrnila v stanje mirovanja, dokler se vrata ponovno ne odprejo

Če se vrata v teh treh minutah ponovno odprejo, se bo postopek začel znova.

TOPLOVODNO OGREVANE ZRAČNE ZAVESE / ZRAČNE ZAVESE BREZ GRELCEV

Upravljanje s stikalno ploščo – CABC6

Vklopite električno napajanje zračne zaves. Obrnite stikalo na zeleno nastavitvev gretja. Razpoložljive nastavitve so:

IZKLOP – rahel ventilator – močan ventilator

Klecko stikalo (samodejno/ročno) omogoča ročno krmiljenje stikala za vrata, če je vgrajen. Ročna funkcija omogoča, da napravo uporabljate pri zeleni nastavitvi, samodejna pa skrbi za prihranek energije, tako da napravo izklopi, ko so vrata zaprta. **Enoto morate vedno izklopiti s krmilnikom stikalne plošče, ne pa s prekinitvijo napajanja iz omrežja.**

Ko napravo prvič zaženete, se najprej izvede preverjanje sistema. Izbrane nastavitve doseže in začne ohranjati po 30 sekundah.

Termostatski nadzor (neobvezno)

1) Za reguliranje izhoda toplote lahko v napeljavo vode za gretje namestite termostatski regulacijski ventil z zaznavanjem na daljavo (ni priložen).

2) Na sistem lahko priključite tudi električni ventil solenoid s 3 vhodi. Za več podrobnosti se obrnite na posrednika, za katerega so navedeni kontaktni podatki.

STIKALO ZA VRATA (TOPLOVODNO OGREVANE ZRAČNE ZAVESE / ZRAČNE ZAVESE BREZ GRELCEV)

Z vključitvijo stikala za vrata v omrežje, kot je prikazano na sliki 8, se bo zračna zavesa odzivala na odpiranje vrat kot sledi:

1. Odpiranje vrat bo sprožilo nastavljen delovanje zračne zaves (nastavitve na stikalni plošči)
2. Po zapiranju vrat bo zavesa delovala še 1 minuto
3. med 1 in 2. minuto po zapiranju vrat se bo sprožilo delovanje ventilatorja s polovično močjo

po 2 minutah se bo zračna zavesa vrnila v stanje mirovanja, dokler se vrata ponovno ne odprejo

ELEKTRIČNE VEZALNE SHEME

CAB in DAB E-električni modeli – glej sliko 7

CAB in DAB W in A –vodni in ventilatorski modeli –glej sliko 8

C –	termostat
D –	stikalo za vrata (neobvezno)
E –	vezje za izklop ob pregretju
F –	elementi
G –	stikala sistema za upravljanje zgradbe (neobvezno) (S, S1, S2)
M –	motor

DALJINSKO UPRAVLJANJE (CNS)

Priključitev na centralni nadzorni sistem je mogoča tako, da je lahko daljinsko upravljanje zračne zaves povezano z ostalo opremo.

VEZAVA VEČ MODULOV

Glej navodila za uporabo opreme za povezavo modulov.

SKRITA VGRADNJA

Glej navodila za skrito vgradnjo.

Recikliranje



Za električne izdelke, ki so bili prodani v Evropski skupnosti. Ko naprava odsluži svojemu namenu je ne smete odstraniti v hišne odpadke. Prosimo, reciklirajte na za to določenem mestu. Posvetujte se z vašo lokalno upravo ali podjetjem, ki skrbi za reciklažo v vaši državi.

ČIŠČENJE

OPOZORILO: VEDNO IZKLJUČITE ELEKTRIČNI TOK PREDEN ZAČNETE S ČIŠČENJEM

Zunanost od časa do časa obrišite z vlažno krpo, za odstranitev madežev uporabite blago raztopino mila, površino obrišite do suhega. Skrbno pazite, da v notranjost grelnika ne zaide voda ali vlaga.

SERVISIRANJE

Če potrebujete poprodajne storitve ali želite kupiti rezervne dele, se obrnite na trgovca, pri katerem ste kupili napravo, ali pa pokličite servisno številko za svojo državo, ki je na garancijski kartici.

Ne vračajte nam okvarjenega izdelka, ker lahko pride do izgube ali poškodovanja in zamude pri nujenju zadovoljivih storitev.

Shranite račun kot dokazilo o nakupu.

DE - Garantie

Die nachstehenden Ausführungen über Umfang der Garantie, Garantiefristen und die Anmeldung von Garantieansprüchen gelten ausschließlich für die Bundesrepublik Deutschland.

Wir räumen dem Käufer nach seiner Wahl zusätzlich zu den ihm gegen den Verkäufer ausstehenden gesetzlichen Gewährleistungsansprüchen einen Anspruch nach Maßgabe der nachfolgenden Garantieverpflichtung ein:

I. Dauer und Beginn der Garantie

1. Grundsätzlich wird für jedes im Haushalt eingesetzte Gerät die auf der Garantiekarte ausgezeichnete Garantiezeit gewährt.
2. Bei gewerblicher Nutzung der von der Bauart her für den Haushalt bestimmten Geräte beträgt die Garantiezeit lediglich sechs Monate.
3. Die Garantie ist mit dem Zeitpunkt der Übergabe des Gerätes wirksam.
4. Bewahren Sie die vom Verkäufer ausgefüllte Garantie-Urkunde mit der Rechnung, dem Lieferschein oder einem anderen Kaufnachweis auf.
5. Durch Garantieleistungen tritt keine Verlängerung der ursprünglichen Garantiezeit ein.
6. Garantieansprüche können nur geltend gemacht werden, wenn die Mängelrüge innerhalb von 14 Tagen nach Entdeckung des Mangels schriftlich bei uns eingeht.

II. Inhalt und Umfang der Garantie

1. Ihr Gerät wird sorgfältig geprüft. Für den Fall, daß der Garantieanspruch zu Recht besteht, entscheiden wir, auf welche Art der Schaden behoben werden soll / wird. Im Reparaturfall sorgen wir für eine fachgerechte Ausführung.
2. Bei der Einsendung zur Reparatur sind Garantie-Urkunde und Kaufnachweis beizufügen.
3. Innerhalb der ersten sechs Monate erbringen wir die Garantieleistungen ohne Berechnung von Nebenkosten (Fahrt- und Wegzeitkosten, Fracht- und Verpackungskosten).
4. Darüber hinausgehende Ansprüche, insbesondere Schadenersatzansprüche, sind ausgeschlossen, soweit eine Haftung nicht gesetzlich angeordnet ist.

III. Einschränkungen der Garantie

1. Eine Garantie besteht nicht bei Fehlern oder Mängeln, die auf folgendes zurückzuführen sind:
 - a) Reparaturen und Abänderungen, die von nicht autorisierter dritter Stelle vorgenommen werden oder wurden;
 - b) äußere Einwirkungen, zum Beispiel Transportschäden, Beschädigungen durch Stoß oder Schlag, Schäden durch Witterungseinflüsse oder sonstige Naturerscheinungen;
 - c) unsachgemäße / fehlerhafte Bedienung oder Beanspruchung;
 - d) Verwendung von ungeeigneten Reinigungsmitteln, Chemikalien usw.
2. Die Garantie erstreckt sich nicht auf leicht zerbrechliche Teile, zum Beispiel Glas, Kunststoff, Glühlampen.
3. Geringfügige Änderungen gegenüber Prospekten oder Mustern oder früher gelieferter Ware gelten nicht als Mangel. Gleiches gilt bei lediglich geringfügigen Abweichungen von der Sollbeschaffenheit, die für Wert- und Gebrauchstauglichkeit des Gerätes unerheblich ist.
4. Im Ausland gelten die von unserer jeweils zuständigen Landesvertretung herausgegebenen Garantiebedingungen.

DE - Garantie Für dieses Gerät gelten die in dem Kaufhandlung herausgegebenen Garantiebedingungen. Einzelheiten teilt Ihnen der Händler, bei dem Sie das Gerät gekauft haben, auf Anfrage jederzeit mit. Die Inanspruchnahme von Garantieleistungen setzt die Vorlage des Kaufbeleges und die Einhaltung der Garantiefrist voraus. Der Garantieanspruch verfällt, wenn das Gerät beschädigt, nicht sachgemäß benutzt oder unbefugte Eingriffe vorgenommen wurden.

UK - Warranty The warranty conditions in the country of purchase apply to this appliance. Information can be obtained at any time from the retailer from whom the appliance was purchased. For claims under guarantee the sales receipt must be produced and the claims must be forwarded within the guarantee period. The right to claim under guarantee expires in case that the device has been damaged, used in an inappropriate way or that unauthorized manipulations have been carried out.

FR - Garantie Pour cet appareil, les garanties applicables sont celles en vigueur dans le pays où a lieu l'achat. Votre revendeur vous en communiquera à tout moment les détails sur simple demande. La revendication au droit à la garantie est assujettie à la présentation de la preuve d'achat et du respect du délai de garantie. Le droit à la garantie expire lorsque l'appareil a été endommagé, utilisé de manière inadéquate ou que des interventions ont été effectuées par des tiers.

IT - Garanzia Per questo apparecchio valgono le condizioni di garanzia pubblicate nel Paese d'acquisto. I dettagli a riguardo vengono forniti, in ogni momento, su richiesta, dal rivenditore presso il quale viene acquistato l'apparecchio. Il diritto alla prestazione di garanzia ha come premessa l'esibizione dello scontrino di acquisto e l'osservanza del termine di garanzia. Il diritto alla copertura di garanzia non sussiste, se l'apparecchio è stato danneggiato, se non è stato utilizzato a regola d'arte e sono stati effettuati su di esso interventi non autorizzati.

ES - Garantía Para este aparato tienen validez las condiciones de garantía entregadas en el país de compra. En caso de preguntas, el vendedor al que usted compró el aparato, estará en todo momento dispuesto a informarle sobre los detalles al respecto. La solicitud de prestaciones que estén incluidas en las disposiciones de garantía presupone, que usted presente el ticket de compra y que haga su solicitud en el plazo de garantía. Los derechos de garantía caducan, si el aparato se ha dañado, si se ha utilizado de manera inadecuada, o si en él se han efectuado intervenciones desautorizadas.

PT - Garantia As condições de garantia do país de compra aplicam-se a este aparelho. Pode obter informação em qualquer altura do retalhista de onde adquiriu o aparelho. Todas as reclamações ao abrigo da garantia terão de se fazer acompanhar do documento comprovativo da compra e de serem enviadas dentro do período da garantia. O direito de reclamação ao abrigo da garantia expira no caso do aparelho ter sido danificado, utilizado de forma incorrecta ou de se terem efectuado manipulações não autorizadas.

NL - Garantie Voor dit apparaat gelden de in het koopplanf uitgegeven garantievoorwaarden. Details deelt U Uw dealer, waar U het apparaat heeft gekocht, op aanvraag altijd mee. De gebruikmaking van garantiervoerhoudingen vereist het overleggen van het koopbewijs en de nakoming van de garantietermijn. De garantieclaim vervalt, wanneer het apparaat werd beschadigd, niet juist werd gebruikt of onbevoegde ingrepen werden uitgevoerd.

DK - Garanti Apparatet er omfattet af de garantibetingelser, som er gældende i købslandet. Nærmere detaljer kan fås hos den forhandler, hvor du har købt apparatet. Der kan kun stottes ret på garantien ved forelæggelse af købskvittering og kun inden for garantiperioden. Garantien bortfalder, hvis apparatet er blevet beskadiget, anvendt forkert eller i tilfælde af uautoriseret indgreb i apparatet.

SE - Garanti För denna apparat gäller de för inköpslandet utgivna garantibestämmelserna. På förfrågan kan detaljerna i garantibestämmelserna erhållas från inköpsstället där apparaten har köpts. Om garantin tas i anspråk måste inköpskvittot kunna uppvisas inom garantitiden. Alla garantianspråk

NO - Garanti For dette apparatet gjelder kun de betingelsene som er offentliggjort i forretningen det er kjøpt. Detaljer ang. dette kan man til enhver tid få hos den fagforhandleren hvor du har kjøpt apparatet. For å ha fulle garantirettigheter må man kunne fremlegge kvitteringen og garantifristen må ikke være utløpt. Garantien gjelder ikke når apparatet er skadet, ikke er brukt etter forskriftene eller ukvalifisert innrep er foretatt.

FI - Takuu Laitteella on ostomaassa voimassa olevat takuuehdot. Yksityiskohdat näistä ehdoista ilmoittaa sinulle kauppias, jolta olet laitteen ostanut. Takuuuorituksia voi vaatia takuuaajan ollessa voimassa esittämällä ostodokumentin. Takuu ei ole voimassa, mikäli laitetta on käytetty sen ollessa vaurioitunut, sitä on käytetty väärin tai ammattitaidoton henkilö on korjannut laitetta.

PL - Gwarancja Dla tego urządzenia obowiązują warunki gwarancji wydane w kraju zakupu. W każdej chwili sprzedawca, u którego dokonano zakupu urządzenia, przekaże Państwu odpowiednie szczegóły. Wykorzystanie świadczeń gwarancyjnych jest uwarunkowane przedłożeniem pokwitowania zakupu i zachowaniem terminu gwarancji. Prawo do gwarancji przepada, gdy urządzenie zostanie uszkodzone, nieoprawnie używane lub dokonane zostaną niedozwolone manipulacje.

CZ - Záruka Pro tento přístroj jsou platné záruční podmínky, které byly vydány v zemi kupujícího. S podrobnostmi Vás kdykoliv na požádání seznámí Váš prodejce, u kterého jste přístroj zakoupili. Uznání záruky předpokládá předložení dokladu o koupi a dodržení záruční lhůty. Nárok na záruku propadá, je-li přístroj poškozený, neodborně provozovaný a nebo byly-li na něm provedeny neodborné zásahy.

LV - Garancija Ģai ierīci ir spēkā pieņemta valstī izdotie garantijas noteikumi. Par to jūs sīkāk informāciju saņemsiet veikalā, kurā jūs do ierīci nopirkāt. Garantijas pieteikšanai jums ir nepieciešama pirktāna kvīts. Bez tam ir svarīgi, lai garantijas termiņā nebūtu notēcijas. Garancija netiek sniegta, ja jūs ierīci sabojājāt, ekspluatējāt neatbilstoši lietošanas instrukcijai, veicāt patvaļīgi demontāžu vai mēcinājāt padī to remontēt.

SI - Garancija Za to napravno veljajo garancijski pogoji izdani v državi nakupa. Na vašo željo vas bo o podrobnostih kadarkoli obvestil trgovec, pri katerem ste kupili napravno. Pogoj za uveljavljanje storitev določenih v garanciji je predložitev računa in upoštevanje garancijskega roka. Pravica do garancije zapade, če je naprava poškodovana, če naprava ni bila ustrezno uporabljana ali če so bili izvedeni nepooblaščen posegi v napravno.

SK - Záruka Pre tento prístroj platia záručné podmienky vydané v krajine jeho zakúpenia. S podrobnosťami Vás na požiadanie kedykoľvek zoznámí predajca, u ktorého ste prístroj zakúpili. Nárok na záručné služby predpokladá predloženie dokladu o kúpe a dodržanie záručnej lehoty. Nárok na záruku zaniká, ak bol prístroj poškodený, neodbornou používaním alebo na ňom boli urobené neoprávnené zásahy.

LT - Garantija Ėiam prietaisui galioja pirmko dalyje ideistos garantijos slygos. Jums pasiteiravus bet kurio metu pardavėjas, pas kurą Jus pirkote prietaisf, informuos apie smulkmenas. Garantijos vykdymo pasinaudojimo slyga yra kasos čekio pateikimas ir garantinio termino idlaikymas. Garantinis reikalavimas pasibaigia, jeigu prietaisas sugadintas, netinkamai buvo naudotas arba buvo atlikti neleistini áskidimai.

EE - Garantii Seadme kohta kehtivad selle riigi garantitingimused, kus seade on ostetud. Seadme edasimüüja annab Teile põhjalikku informatsiooni garantii üksikasjade kohta. Garantiteenuste osutamise aluseks garantiiaja jooksul on ostudokument. Garantii ei kehti, kui seade on kahjustunud, seda on kasutatud ebaoststarbiseit või seadet on demonteeritud.

HU - Garancia A készülékre a vásárlási országbán kiadott garanciális feltételek érvényesek. Ennek részleteiről kérésre szívesen nyújt információzt az a kereskedő, akitől a készüléket vásárolta. A garanciális teljesítés igénybe vételének előfeltétele a vásárlási bizonylat bemutatása és a garanciális határidő betartása. A garanciális igény nem érvényes, ha a készülék sérült, nem szakszerűen használták vagy illetéktelen beavatkozásokot végeztek rajta.

















HR - Jamstvo Uvjeti jamstva koji važe u državi kupnje važe i za ovaj uređaj. Podaci se mogu dobiti u svako doba od dobavljača od kojega ste kupili proizvod. Za zahtjeve po osnovi jamstva morate priložiti račun koji ste dobili pri kupnji, a zahtjev treba podnijeti u toku trajanja jamstvenog perioda. Pravo iz jamstva isticu u slučaju da je uređaj oštećen, korišten na neodgovarajući način ili su na njemu provedene neovlaštene popravke.

GR - Εγγύηση Για την παρούσα συσκευή ισχύουν οι κανονισμοί εγγύησης του ισχύουσιν στην χώρα όπου αγοράστηκε. Λεπτομέρειες θα σας παρέχει ο έμπορος από τον οποίο προμηθευτήκατε την συσκευή οποιαδήποτε στιγμή του το ζητήσετε. Απαραίτητες προϋποθέσεις για την διεκδίκηση παροχών που περιλαμβάνονται στην εγγύηση είναι η αποδείξη αγοράς και η τήρηση της προθεσμίας εγγύησης. Η εγγύηση εκπίπτει εφόσον η συσκευή υπέστη βλάβη, δεν χρησιμοποιήθηκε ορθά ή έλαβαν χώρα επεμβάσεις σε αυτή από μη εξουσιοδοτημένο προσωπικό.

BG - Гаранция За настоящия уред вадат гаранционните условия, валидни за страната, в която е купен. С подробностите ще Ви запознае продавачът, от който сте купили уреда и към който Вие можете да се обърнете по всяко време. За да се предоставят гаранционни услуги, е необходимо да се представи документът за закупуване и да не е изтекъл гаранционният срок. Гаранцията се губи, ако уредът е повреден, неправилно използван или с недопустими изменения.

RU - Гарантия В отношении этого прибора действительны условия гарантии, предоставленные в стране приобретения. Более подробную информацию по вашему запросу в любое время предоставит магазин, в котором вы приобрели прибор. Для гарантийного обслуживания необходимо в течение гарантийного срока предъявить квитанцию о покупке. Гарантия утрачивает силу, если прибор был поврежден, использовался ненадлежащим образом или был подвергнут недовольным вмешательствам.

KZ Кепілдік Мынау аспапқа сатып алған мемлекетте шыққан гарантиялы шарттар жарамды. Аспапты сатып алған сатушыны сұратсаңыз, әрдайым нақтылықтарды айтып береді. Гарантиялы міндеттемені пайдалану үшін сатып алған қасалық чекі болуы және гарантиялы мерзімін өткізіп алмауы керек. Аспап сынық, дұрыс пайдаланбаған немесе арнаулы емес талдаулар өткізілген болса гарантия правосы жарамсыз.

1. Garantiekarte 	2. Garantiezeitraum <p style="text-align: center;">3</p>	3. Modell(e) CAB10A, CAB10E & CAB10W CAB15A, CAB15E & CAB15W DAB10A, DAB10E & DAB10W DAB15A, DAB15E & DAB15W					
4. Modellbezeichnung	5. Kaufdatum	6. Stempel & Unterschrift des Einzelhändlers					
7. Fehler/Defekt							
<table border="0"> <tr> <td data-bbox="108 622 459 891"> 8. DE Glen Dimplex Deutschland GmbH Goldenen Feld 18 D-95326 Kulmbach 11/05/A  09221 709-564 Fax. 09221 709 565 kundendienst.hauswaerme@glendimplex.de </td> <td data-bbox="483 622 794 891"> UK Glen Dimplex UK Limited Millbrook House Grange Drive Hedge End Southampton Hampshire. SO30 2DF  0870 7270101 Fax. 0870 7270102 customer.services@glendimplex.com </td> <td data-bbox="770 622 954 891"> IE Dimpc Co. Ltd. Airport Road Cloghran Co. Dublin Republic of Ireland  01 8424833 Fax. 01 8424839 </td> <td data-bbox="994 622 1257 891"> PL Glen Dimplex Polska Sp. z o.o. ul. Strzeszyńska 33 60-479 Poznań Poland  061 8425 805 Fax. 061 8425 806 office@glendimplex.pl </td> <td data-bbox="1289 622 1473 891"> NO Dimplex AS Bratsbergvegen 5 NO - 7493 Trondheim Norway  73 9594 00 Fax. 73 9590 90 email@dimplex.no </td> </tr> </table>			8. DE Glen Dimplex Deutschland GmbH Goldenen Feld 18 D-95326 Kulmbach 11/05/A  09221 709-564 Fax. 09221 709 565 kundendienst.hauswaerme@glendimplex.de	UK Glen Dimplex UK Limited Millbrook House Grange Drive Hedge End Southampton Hampshire. SO30 2DF  0870 7270101 Fax. 0870 7270102 customer.services@glendimplex.com	IE Dimpc Co. Ltd. Airport Road Cloghran Co. Dublin Republic of Ireland  01 8424833 Fax. 01 8424839	PL Glen Dimplex Polska Sp. z o.o. ul. Strzeszyńska 33 60-479 Poznań Poland  061 8425 805 Fax. 061 8425 806 office@glendimplex.pl	NO Dimplex AS Bratsbergvegen 5 NO - 7493 Trondheim Norway  73 9594 00 Fax. 73 9590 90 email@dimplex.no
8. DE Glen Dimplex Deutschland GmbH Goldenen Feld 18 D-95326 Kulmbach 11/05/A  09221 709-564 Fax. 09221 709 565 kundendienst.hauswaerme@glendimplex.de	UK Glen Dimplex UK Limited Millbrook House Grange Drive Hedge End Southampton Hampshire. SO30 2DF  0870 7270101 Fax. 0870 7270102 customer.services@glendimplex.com	IE Dimpc Co. Ltd. Airport Road Cloghran Co. Dublin Republic of Ireland  01 8424833 Fax. 01 8424839	PL Glen Dimplex Polska Sp. z o.o. ul. Strzeszyńska 33 60-479 Poznań Poland  061 8425 805 Fax. 061 8425 806 office@glendimplex.pl	NO Dimplex AS Bratsbergvegen 5 NO - 7493 Trondheim Norway  73 9594 00 Fax. 73 9590 90 email@dimplex.no			

DE

- Garantiekarte
- Garantiezeitraum (in Jahre)
- Modell(e)
- Modellbezeichnung
- Kaufdatum
- Stempel & Unterschrift des Einzelhändlers
- Fehler/Defekt
- Kontakt-Tel.-Nr. & -Anschrift

UK

- Warranty Card
- Guarantee Period (in Years)
- Model(s)
- Model Name
- Date of Purchase
- Stamp & Signature of retailer
- Fault/Defect
- Contact Number & Address

FR

- Bon de garantie
- Période de garantie (en années)
- Modèle(s)
- Intitulé du modèle
- Date d'achat
- Cachet et signature du vendeur
- Anomalie/Défaut
- Nom et adresse du contact

IT

- Scheda di garanzia
- Periodo di garanzia (in anni)
- Modello(i)
- Nome del modello
- Data di acquisto
- Timbro e firma del rivenditore
- Guasto/difetto
- Indirizzo e numero di contatto

ES

- Tarjeta de garantía
- Periodo de garantía (en años)
- Modelo(s)
- Nombre del modelo
- Fecha de adquisición
- Sello y firma del distribuidor
- Avería/Defecto
- Número y dirección de contacto

PT

- Cartão de Garantia
- Período de Garantia (em anos)
- Modelo(s)
- Nome do Modelo
- Data de Compra
- Carimbo e Assinatura do retalhista
- Falha/Defeito
- Número de Contacto e Morada

NL

- Garantiebewijs
- Garantieperiode (in jaren)
- Model(len)
- Modelnaam
- Aankoopdatum
- Stempel & Ondertekening detaillist
- Fout/Defect
- Telefoonnummer & Adres

DK

- Garantikort
- Garantieperiode (i år)
- Model(ler)
- Modelnavn
- Købsdato
- Detailhandlers stempel & underskrift
- Fejl/defekt
- Kontaktnummer & -adresse

SE

- Garantikort
- Garantitid (i år)
- Modell(er)
- Modellnamn
- Inköpsdag
- Återförsäljarens stämpel och underskrift
- Fel
- Telefonnummer och adress för kontakt

NO

- Garantikort
- Garantieperiode (i år)
- Modell(er)
- Modellnavn
- Kjøpsdato

- Selgers stempel og signatur
- Feil/defekt
- Kontaktnummer og adresse

FI

- Takuukortti
- Takuuaika (vuosina)
- Malli(t)
- Mallin nimi
- Ostoväijämä
- Myyntiliikkeen leima ja allekirjoitus
- Vika/vaurio
- Yhteysnumero ja osoite

PL

- Karta gwarancyjna
- Okres gwarancji (w latach)
- Model(e)
- Nazwa modelu
- Data zakupu
- Pieczeć i podpis sprzedawcy
- Usterka
- Telefon i adres kontaktowy

CZ

- Záručný list
- Záruční doba (roky)
- Model(y)
- Název modelu
- Datum zakoupení
- Razítko a podpis prodejce
- Porucha/chyba
- Kontaktní číslo a adresa

LV

- Garantijas talons
- Garantijas periods (gadi)
- Modelis(i)
- Modela nosaukums
- Legades datums
- Mazumtirgotāja zīmogs un paraksts
- Bojajums/defekts
- Kontaktlrunis un adrese

SI

- Garancijski list
- Obdobje veljavnosti garancije (v letih)
- Model(i)
- Ime modela
- Datum nakupa

- Žig in podpis prodajalca
- Pomanjkljivost/okvara
- Kontaktna številka in naslov

SK

- Záručný list
- Záručné obdobie (v rokoch)
- Model(y)
- Názov modelu
- Dátum kúpy
- Pecät & Podpis obchodníka
- Porucha/závada
- Kontaktujte číslo & adresu

LT

- Garantijos kortele
- Garantijos laikotarpis (metais)
- Modelis (modeliai)
- Modelio pavadinimas
- Pirkimo data
- Prekybininko antspaudas ir parašas
- Gedimas / defektas
- Numeris ir adresas kontaktams

EE

- Garantiikaart
- Garantiaeg (aastates)
- Mudel(id)
- Mudeli nimi
- Ostukuupäev
- Kaupluse tempel & allkiri
- Viga/defekt
- Kontaktnumber & aadress

HU

- Garancialevél
- Garancia időtartama (években)
- Modell(ek)
- Modell neve
- Vásárlás időpontja
- Eladó bélyegzője és aláírása
- Hiba/Hiány megnevezése
- Értesítési telefonszám és cím

HR

- Jamstvena kartica
- Jamstveni period (u godinama)
- Model(i)
- Naziv modela
- Datum kupnje

- Pecät i potpis dobavljača
- Kvar/defekt
- Broj i adresa za kontakt

GR

- Κάρτα εγγύησης
- Περίοδος ισχύος της εγγύησης (έτη)
- Μοντέλο(α)
- Όνομα μοντέλου
- Ημερομηνία αγοράς
- Σφραγίδα και υπογραφή εμπόρου
- Σφάλμα/Ελάττωμα
- Αριθμός τηλεφώνου και διεύθυνση επικοινωνίας

BG

- Гаранционна карта
- Гаранционен период (в години)
- Модел(и)
- Наименование на модела
- Дата на покупка
- Печат и подпис на търговеца
- Неизправност/Дефект
- Адрес и телефон за контакт

KZ

- Кепілдік картасы
- Кепілдік мерзімі
- Үлгі(лер)
- Үлгінің атауы
- Сатылған күні
- Сатушының мері мен қолтаңбасы
- Кемістік/Ақаулық
- Байланыс телефоны және мекен-жайы

RU

- Гарантийная карта
- Срок действия гарантии(в годах)
- Модель (модели)
- Наименование модели
- Дата покупки
- Штамп и подпись озничного продавца
- Неисправность/дефект
- Номер контактного телефона и адрес