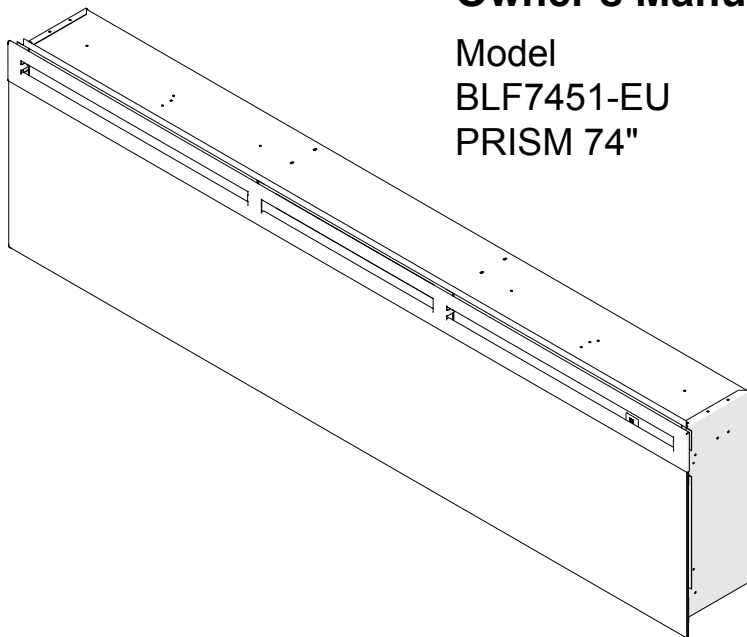


Better solutions through innovation

## Owner's Manual

Model  
BLF7451-EU  
PRISM 74"



EN

FR

ES

IT

DE

PL

RU

NO

NL

---

**IMPORTANT SAFETY INFORMATION:** Always read this manual first before attempting to install or use this fireplace. For your safety, always comply with all warnings and safety instructions contained in this manual to prevent personal injury or property damage.



## Table of Contents

 Welcome & Congratulations . . . . .	3
 IMPORTANT INSTRUCTIONS . . . . .	4
 Quick Reference Guide . . . . .	7
 Fireplace Installation . . . . .	8
Site Selection . . . . .	8
Surface Installation . . . . .	9
In-wall Recessed Installation - 100mm Deep . . . . .	10
Flush Mounted Installation - 200mm Deep . . . . .	11
Front Glass Installation . . . . .	13
 Operation . . . . .	15
 Maintenance . . . . .	19

Always use a qualified technician or service agency to repair this fireplace.

**! NOTE:** Procedures and techniques that are considered important enough to emphasize.

**! CAUTION:** Procedures and techniques which, if not carefully followed, will result in damage to the equipment.

**! WARNING:** Procedures and techniques which, if not carefully followed, will expose the user to the risk of fire, serious injury, or death.

---

## Welcome & Congratulations

Thank you and congratulations for choosing to purchase an electric fireplace from Dimplex, the world leader in electric fireplaces.

**Please carefully read and save these instructions.**

**⚠ CAUTION:** Read all instructions and warnings carefully before starting installation. Failure to follow these instructions may result in a possible electric shock, fire hazard and will void the warranty.

Please record your model and serial numbers below for future reference: model and serial numbers can be found on the Model and Serial Number Label of your fireplace.

**STOP** NO NEED TO RETURN TO THE STORE

Questions With the Assembly?

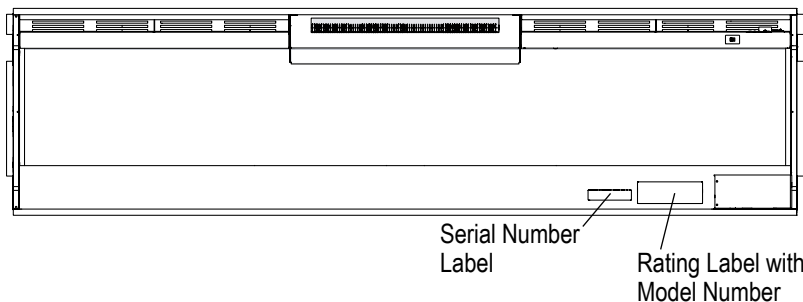
Require Parts Information?

Product Under Manufacturer's Warranty?



**Call your local dealer**

Please have your model number and product serial number ready. (See below)





## **IMPORTANT SAFETY INSTRUCTIONS**

### **Read all instructions before using this appliance.**

When using electrical appliances, basic precautions should always be followed to reduce the risk of fire, electrical shock and injury to persons, including the following:

1. If the appliance is damaged, check with the supplier before installation and operation.
  2. Do not use outdoors.
  3. Do not use in the immediate surroundings of a bath, shower or swimming pool.
  4. Do not locate the appliance immediately below a fixed socket outlet or connection box.
  5. This appliance can be used by children aged from 8 years and above and persons with reduced physical, sensory or mental capabilities or lack of experience and knowledge if they have been given supervision or instruction concerning use of the appliance in a safe way and understand the hazards involved. Children shall not play with the appliance. Cleaning and user maintenance shall not be made by Children without supervision.
  6. Children of less than 3 years should be kept away unless continuously supervised. Children aged from 3 years and less than 8 years shall only switch on/off the appliance provided that it has been placed or installed in its intended normal operating position and they have been given supervision or instruction concerning use of the appliance in a safe way and understanding the hazards involved. Children aged from 3 years and less than 8 years shall
-



## IMPORTANT SAFETY INSTRUCTIONS

not plug in, regulate and clean the appliance or perform user maintenance.


7. Do not use this appliance in series with a thermal control, a program controller, a timer or any other device that switches on the heat automatically, since a fire risk exists when the appliance is accidentally covered or displaced.
8. Ensure that furniture, curtains or other combustible material are positioned no closer than 1 metre from the appliance.
9. In the event of a fault unplug the appliance.
10. Unplug the appliance when not required for long periods.
11. Although this appliance complies with safety standards, we do not recommend its use on deep pile carpets or on long hair type of rugs.
12. The appliance must be positioned so that the plug is accessible.
13. If the supply cord is damaged it must be replaced by the manufacturer or service agent or a similarly qualified person in order to avoid a hazard.
14. Keep the supply cord away from the front of the appliance.

**⚠ WARNING:** In order to avoid overheating, do not cover the appliance. Do not place material or garments on the appliance, or obstruct the air circulation around the appliance, for instance by curtains or furniture, as this could cause overheating and a fire risk.

## **IMPORTANT SAFETY INSTRUCTIONS**

**⚠ WARNING:** In order to avoid a hazard due to inadvertent resetting of the thermal cut-out, this appliance must not be supplied through an external switching device, such as a timer, or connected to a circuit that is regularly switched on and off by the utility.

**⚠ CAUTION:** Some parts of this product can become very hot and cause burns. Particular attention has to be given where children and vulnerable people are present.

The heater carries the Warning Symbol   
indicating that it must not be covered

**SAVE THESE INSTRUCTIONS**

---



## Quick Reference Guide

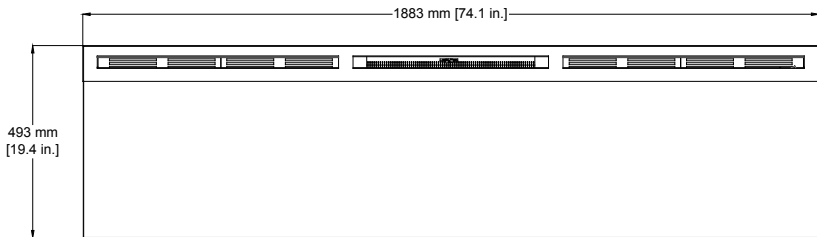
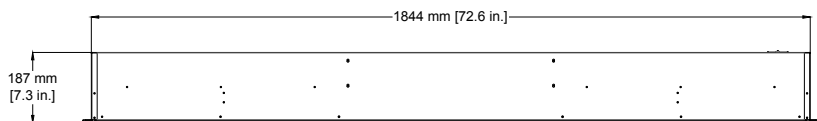
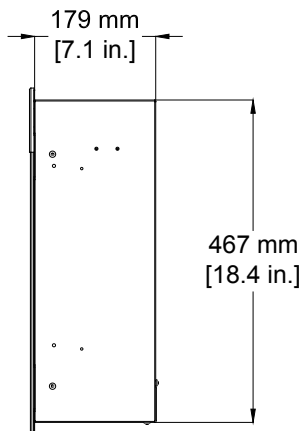
① The electrical information regarding your electric fireplace can be found on the rating label located on the front of the unit, behind the glass.

Before installation, please record your fireplace's serial number below for future reference.

② If you have any technical questions or concerns regarding the operation of your electric fireplace, or require service contact customer service.

③ For dimensions of your fireplace, refer to Figure 1.

**Figure 1**



# Fireplace Installation

## Site Selection

Review and consider all of the following conditions for installation:

- Dimensions of the unit:  
188.3cm x 49.5cm
- Unit requires a minimum of three (3) wall studs in order to ensure a secure installation

Three possible installation methods:

- Installation method: Surface mount; In-wall Recessed; or Flush mount
- Hardwired or plug-in method

**⚠ WARNING:** Ensure the power cord is not installed so that it is pinched or against a sharp edge and ensure that the power cord is stored or secured to avoid tripping or snagging to reduce the risk of fire, electric shock or injury to persons.

Construction and electrical outlet wiring must comply with local building codes and other applicable regulations to reduce the risk of fire, electric shock and injury to persons.

1. Select a location that is not susceptible to moisture and is away from drapes, furniture and high traffic.

2. For ease of electrical hook up you may wish to locate the fireplace near an existing outlet (for plug-in convenience).

**! NOTE 1:** A 13 Amp, 230-240 Volt circuit is required. A dedicated circuit is preferred but not essential in all cases. A dedicated circuit will be required if, after installation, the circuit breaker trips or fuse blows on a regular basis when the heater is operating. Additional appliances on the same circuit may exceed the current rating of the circuit breaker.

3. Remove fireplace, front glass and hardware from box and remove all packaging materials before installation.
4. Store the fireplace in a safe, dry and dust free location until you are ready to install the fireplace.



# Fireplace Installation

The fireplace is packaged with a three prong plug installed for plug-in convenience. Hard wiring the fireplace is also an option by removing the plug from the factory fitted cord and completing the wiring according to National and Local Electrical Codes.

**⚠ WARNING:** Do not attempt to wire your own new outlets or circuits. To reduce the risk of fire, electric shock or injury to persons, always use a licensed electrician.

**⚠ WARNING:** Ensure that the 3-Position Switch is set to the Off position ("O") and that the circuit on which the fireplace is to be installed has the power cut off at the service panel until installation is complete.

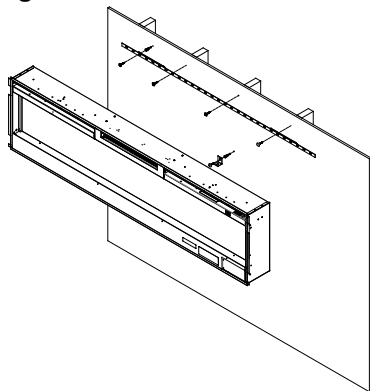
## Surface Installation

**⚠ CAUTION:** Two people will be required for various steps of this procedure.

1. Determine the mounting location of the unit so that the wall-mounting bracket can be installed into 3 wall studs.

**! NOTE:** It is recommended that the mounting bracket be installed 56 in. (142 cm) off of the ground to maintain an optimized viewing

**Figure 2**

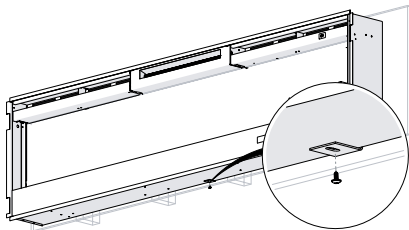


angle of the flame.

2. Hold the wall mounting bracket, with the bubble level on the top, on the wall so that the bubble on the level is centered between the two black lines.
3. Mark the 4 mounting screw locations, on the wall, ensuring that the wall bracket stays level. (Figure 3)
4. In locations where the screws are being installed only into drywall, install the supplied wall anchors before installing the screw (pre-drill if required).
5. Secure the wall bracket to the wall using the supplied 1½ in. (3.8 cm) mounting screws and washers into the wall and/or

# Fireplace Installation

Figure 3



wall anchors.

6. Install the bottom support bracket to the wall centered with the wall mounting bracket, using the appropriate mounting hardware, 13 3/4" (350 mm) below the wall mounting bracket. (Figure 2)
7. Remove the center screw from the bottom of the fireplace. (Figure 3)
8. Hang the fireplace from the bracket.
9. Install the removed screw through the bottom support bracket into the fireplace.
10. Refer to Front Glass Installation section final installation procedures.

## In-wall Recessed

## Installation - 100mm Deep

**⚠ CAUTION:** Two people may be required for various steps of this procedure.

1. Prepare a wall with a framed opening of 185.7cm wide x 42 cm high (Figure 4).

**! NOTE:** The sizing has allowed for 6.4mm around the fireplace insert for ease of installation. This fireplace does not require any additional venting.

2. Choose your method of supplying power to the unit:
  - Plug in (you may run the power cord out of the framed wall opening to an existing outlet or install an outlet on a nearby wall stud within the wall).
  - Hard wire the fireplace.

**! NOTE:** Hard wiring can be done by removing the plug from the factory fitted cord and completing the wiring according to National and Local Electrical Codes.

**⚠ WARNING:** Do not attempt to wire your own new outlets or circuits. To reduce the risk of fire, electric shock or injury to persons, always use a licensed electrician.

# Fireplace Installation

Ensure that the 3-Position Switch is set to the Off position ("O") and that the circuit on which the fireplace is to be installed has the power cut off at the service panel until installation is complete.

3. Lift fireplace and insert into opening (Figure 5).
4. Use bubble level (supplied) to level the fireplace within the framing. Adjust as required.
5. Drive four (4) supplied mounting screws through the four (4) mounting holes located in each corner of the fireplace chassis, into wall studs (Figure 6).
6. Refer to Front Glass Installation section, for final installation procedures.

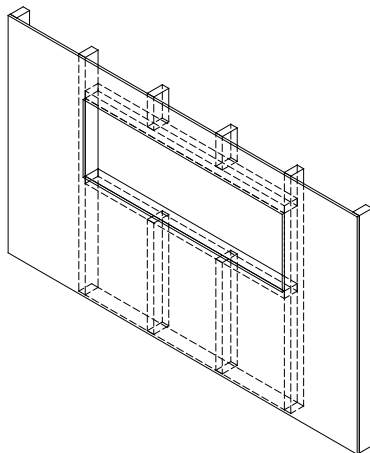
## Flush Mounted Installation - 200mm Deep

**⚠ CAUTION:** Two people may be required for various steps of this procedure.

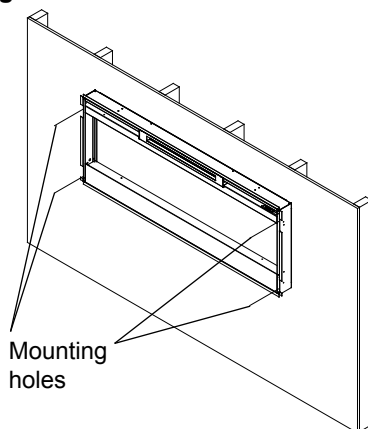
1. Prepare a wall with a framed opening of 185.7 cm wide x 47 cm high (Figure 7).

**! NOTE:** The sizing has allowed for 6.4mm around the fireplace insert for ease of installation. This fireplace does not require any

**Figure 4**

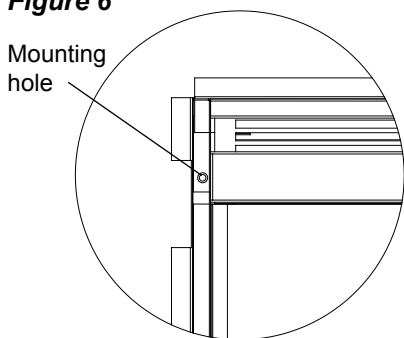


**Figure 5**



# Fireplace Installation

**Figure 6**



additional venting.

2. Choose your method of supplying power to the unit:
  - Plug in (you may run the power cord out of the framed wall opening to an existing outlet or install an outlet on a nearby wall stud within the wall).
  - Hard wire the fireplace.

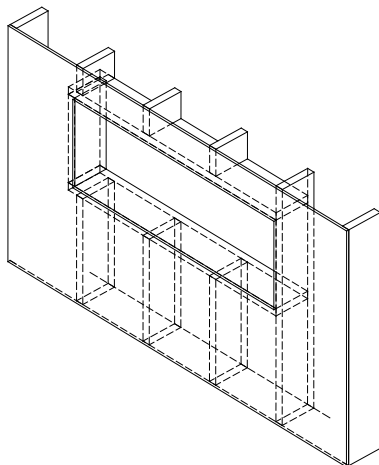
**! NOTE:** Hard wiring can be done by removing the plug from the factory fitted cord and completing the wiring according to National and Local Electrical Codes.

**⚠ WARNING:** Do not attempt to wire your own new outlets or circuits. To reduce the risk of fire, electric shock or injury to persons, always use a licensed electrician.

Ensure that the 3-Position Switch is set to the Off position ("O") and that the circuit on which the fireplace is to be installed has the power cut off at the service panel until installation is complete.

3. Lift fireplace and insert into opening. The fireplace's mounting trim should be flush against the wall (Figure 8).
4. Use bubble level (supplied) to level the fireplace within the framing. Adjust as required.
5. Drive four (4) supplied mounting screws through the four (4) mounting holes located on the inside surface of the

**Figure 7**



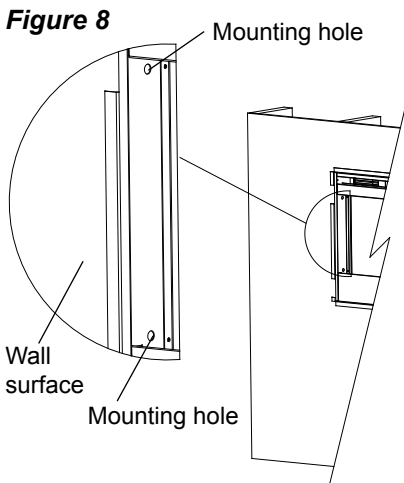
# Fireplace Installation

fireplace chassis, into wall studs (Figure 8).

6. Refer to Front Glass Installation section, for final installation procedures.

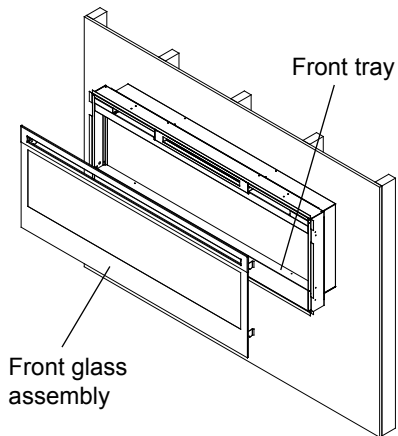
## Front Glass Installation

1. Evenly distribute supplied glass rock on the front tray of the fireplace (Figure 9).
2. Carefully mount front glass assembly so that the front glass hooks (4) hang on the front glass mounts on the fireplace (4) (Figure 10).
3. Use the supplied two (2) Phillips sheet metal screws to fasten the glass assembly tabs to the fireplace (Figure 11).
4. Ensure the fireplace's 3-Position Switch is switched to the Off position ("O").
5. If unit is not hard-wired, plug fireplace into a 10 Amp, 230-240 Volt outlet (refer to NOTE 1).

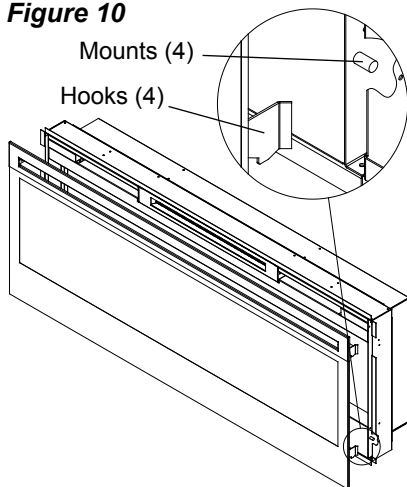


# Fireplace Installation

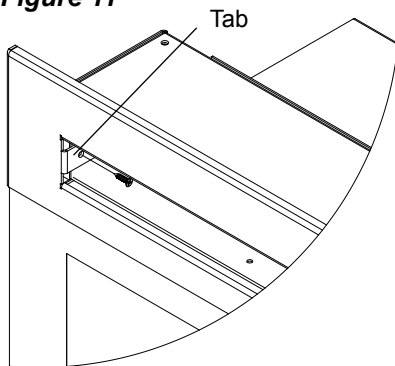
**Figure 9**



**Figure 10**



**Figure 11**



## 🔑 Operation

Figure 12

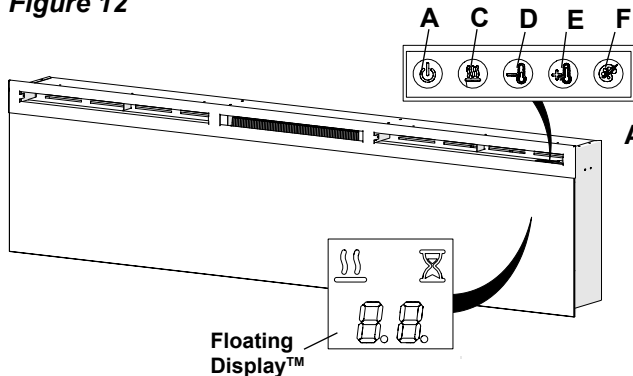
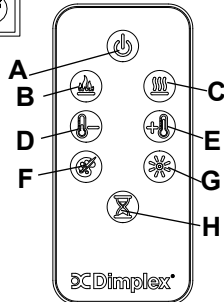


Figure 13



**⚠️ WARNING:** This electric firebox must be properly installed before it is used.

The unit can be controlled by either the manual controls which are located on the upper right of the fireplace or the remote (Figure 12 & 13).

The fireplace is supplied with an IR multifunction remote control.

**! NOTE:** To operate correctly, the remote control must be pointed towards the Floating Display™.

### A. 🔄 Standby

Turns the unit On and Off.

→ Activated by pressing the Standby button on the remote or the unit.

- The unit will turn on with the same

functions that it was set to when it was turned Off and the intake temperature will be indicated on the Floating Display™.

**! NOTE:** When any button is pressed the intake temperature will be displayed on the Floating Display™ for 5 seconds.

### B. 🔥 Flame Effects

Turns the flame effect On and Off.

→ Activated by pressing the 🔥 button on the remote.

### C. 🌬️ Heat ON/OFF

Turns the heater On and Off.

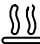
→ Activated by pressing the 🌬️ button on the unit or the remote.

- Indicated by the 🔥 icon and the intake temperature being

## Operation

displayed on the Floating Display™, for 5 seconds before turning off.



**! NOTE:** After the heater is switched off, there is a 60 second fan delay, where the fan will continue running before turning off.

**! NOTE:** The unit can be operated in **Heat Only Mode**. When the unit is only running with the heater, the  icon will continuously be displayed on the Floating Display™.



**! NOTE:** The heater may emit a slight, harmless odor when first used. This odor is a normal condition caused by initial heating of internal heater parts and will not occur again.

### **D & E.** Thermostat Controls

Adjusts the temperature set point to your individual requirements. Once the desired set temperature is reached the heater will turn off. The heater will cycle on and off to maintain the desired set temperature. The default temperature setting is 72°F (22°C).



→ Adjusted by pressing the  to decrease the setpoint and the  to increase the setpoint on the unit or the remote.



• The Floating Display™ will indicate the temperature setpoint as it is adjusted.

**! NOTE:** Holding the  and the  buttons down for two seconds, on the unit, will change the temperature from °C to °F, or vice versa.

### **Disable Heat**

If desired, depending on the season, the heater on the unit can be disabled. The unit will operate in the same fashion, with remainder of the controls.

Pressing the  and  buttons on the unit at the same time and holding for 2 seconds will disable and enable the heater.

**! NOTE:** When the heater has been disabled and either the  or the  is pressed the Floating Display™ will indicate "--".

### **F.** Color Themes

Different presets of ambient lighting color combinations contained in the unit.

→ Changed by repeatedly pressing the corresponding button on the remote or the unit.


• Cycles through the different



## Operation

preset ambient lighting settings of the unit, this includes different combinations of colours of the flame base and media lighting.

**! NOTE:** The last theme of the cycle is a prism where the unit cycles through a variety of colours.

Pressing the  button stops the cycling and holds the unit on the preferred color, indicated by a "U" - Unfreeze or a "F" - Freeze on the display.

### **G. Brightness**

Changes the brightness of the lights in the unit.

→ Adjusted by repeatedly pressing the corresponding button on the remote.


- Indicated by the second digit on the Floating Display™ changing to show: "H" (high), and "L" (low).


### **H. Sleep Timer**

The Sleep Timer can be set to automatically shut off the fireplace after a preset time (from 30 minutes to 8 hours).

→ To set the timer press the timer button on the remote, repeatedly, until the desired time is displayed.

- The Floating Display™ will

display the different times as it is adjusted. Once the timer has begun, pressing the  button will display the time remaining before the unit turns Off.

**! NOTE:** The Sleep Timer can be cancelled at any time by pressing the  button repeatedly until the sleep timer displays nothing.

### **Resetting the Temperature Cutoff Switch**

Should the heater overheat, an automatic cut out will turn the whole unit off and it will not come back on without being reset. It can be reset by turning the unit off at the main disconnect panel and waiting 5 minutes before turning the unit back on.

## Operation

### Remote Control Battery Replacement

To replace the battery:

1. Slide battery cover open on the remote control.
2. Correctly install one 3 Volt (CR2032 [longer life] or CR2025)

battery in the battery holder.

3. Close the battery cover.



Battery must be recycled or disposed of properly. Check with your Local Authority or Retailer for recycling advice in your area



## Maintenance

**⚠ WARNING:** Disconnect power before attempting any maintenance or cleaning to reduce the risk of fire, electric shock or damage to persons.

### Partially Reflective Glass Cleaning

The partially reflective glass is cleaned in the factory during the assembly operation. During shipment, installation, handling, etc., the partially reflective glass may collect dust particles; these can be removed by dusting lightly with a clean dry cloth.

To remove fingerprints or other marks, the partially reflective glass can be cleaned with a damp cloth. The partially reflective glass

should be completely dried with a lint free cloth to prevent water spots. To prevent scratching, do not use abrasive cleaners.

### Fireplace Surface Cleaning

Use only a damp cloth to clean painted surfaces of the fireplace. Do not use abrasive cleaners.

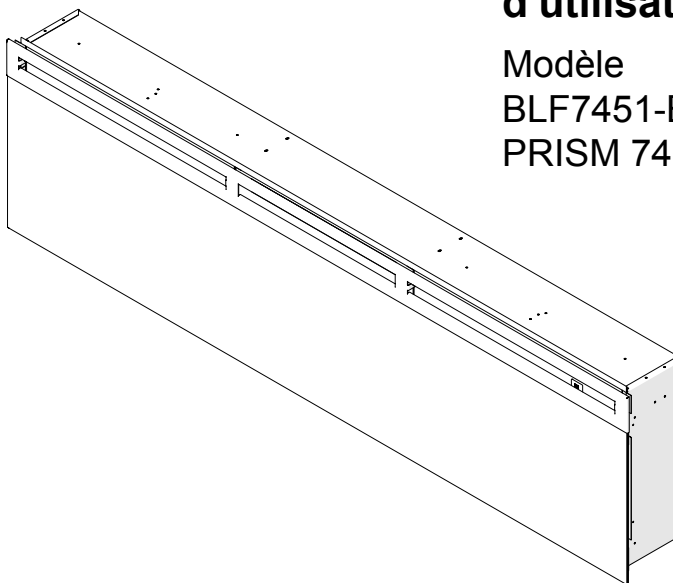
### Servicing

Except for installation and cleaning described in this manual, an authorized service representative should perform any other servicing.

Better solutions through innovation

## Manuel d'utilisation

Modèle  
BLF7451-EU  
PRISM 74"



EN

**FR**

ES

IT

DE

PL

RU

NO







NL

---

**CONSIGNES DE SÉCURITÉ IMPORTANTES** : Lire d'abord ce manuel avant d'essayer d'installer ou d'utiliser ce foyer. Pour votre sécurité, toujours respecter les avertissements et les consignes de sécurité indiqués dans ce manuel afin de prévenir les blessures ou les dommages matériels.



## Table des matières

	Bienvenue et félicitations .....	3
	INSTRUCTIONS DE SÉCURITÉ IMPORTANTES ...	4
	Guide de référence rapide .....	7
	Installation du foyer .....	8
	Choix de l'emplacement .....	8
	Installation en surface .....	9
	Montage mural encastré - profondeur 100 mm .....	10
	Montage en affleurement - profondeur 200 mm .....	11
	Installation de la vitre frontale .....	13
	Fonctionnement .....	15
	Entretien .....	17

Toujours faire appel à un technicien qualifié ou une entreprise de services d'entretien pour la réparation du foyer.

**! REMARQUE :** Procédures et techniques dont l'importance justifie qu'on les mentionne.

**⚠ MISE EN GARDE :** Procédures et techniques qui, si elles ne sont pas suivies avec précautions, endommageront l'équipement.

**⚠ AVERTISSEMENT :**  
Procédures et techniques dont le non-respect expose l'utilisateur à un risque d'incendie ou à des blessures graves voire mortelles.

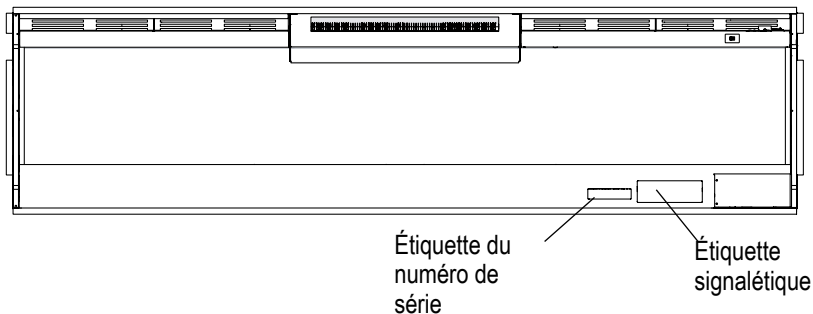
## Bienvenue et félicitations

Merci et félicitations d'avoir acheté un foyer électrique de Dimplex, principal fabricant mondial de foyers électriques.

**Merci de lire ces instructions avec attention et de les conserver.**

**⚠ ATTENTION:** Lire l'ensemble des instructions et avertissements avec attention avant de débiter l'installation. Le non-respect de ces instructions implique un risque d'électrocution et d'incendie, en plus d'invalider la garantie.

Merci de noter ci-dessous les numéros de modèle et de série de votre appareil pour pouvoir les retrouver ultérieurement : les numéros de modèle et de série se trouvent sur l'étiquette du numéro de modèle et du numéro de série de votre foyer.





## INSTRUCTIONS DE SÉCURITÉ IMPORTANTES

### **Lire toutes les instructions avant d'utiliser cet appareil.**

Lors de l'utilisation d'appareils électriques, toujours prendre des précautions élémentaires afin de réduire les risques d'incendie, d'électrocution et de blessure, notamment :

1. Si l'appareil est endommagé, consulter le fournisseur avant toute installation ou utilisation.
2. Ne pas utiliser à l'extérieur.
3. Ne pas utiliser à proximité immédiate d'une baignoire, d'une douche ou d'une piscine.
4. Ne pas placer l'appareil de chauffage juste en dessous d'une prise murale ou d'un boîtier de connexion.
5. Cet appareil peut être utilisé par un enfant à partir de l'âge de huit ans, par une personne ayant un handicap physique, sensoriel ou mental, ou un manque d'expérience ou de connaissances, si elle est supervisée ou a reçu les instructions appropriées pour utiliser l'appareil en toute sécurité et en comprenant les risques possibles. Les enfants ne doivent pas jouer avec cet appareil. Son nettoyage et son entretien ne doivent pas être effectués par des enfants laissés sans surveillance.
6. Les enfants âgés de moins de 3 ans doivent être tenus à distance de l'appareil, à moins qu'ils ne soient surveillés en permanence. Les enfants âgés de 3 ans et plus et de moins de 8 ans peuvent uniquement allumer/éteindre l'appareil, pourvu qu'il soit placé ou installé dans sa position d'utilisation normale, qu'ils bénéficient d'une surveillance ou d'instructions quant à l'utilisation de l'appareil de façon sécurisée et qu'ils comprennent les risques encourus. Les enfants de trois à huit ans ne doivent pas brancher, régler ou nettoyer l'appareil ou effectuer aucune des opérations



## INSTRUCTIONS DE SÉCURITÉ IMPORTANTES

de nettoyage et d'entretien réalisables par l'utilisateur.

7. Ne pas utiliser l'appareil de chauffage en série avec un régulateur thermique, un système de commande programmé, une minuterie ou tout autre dispositif déclenchant automatiquement de la chaleur, car il existe un risque d'incendie lorsque l'appareil de chauffage est accidentellement recouvert ou déplacé.
8. Cet appareil de chauffage n'est pas équipé d'un dispositif de contrôle de la température ambiante. Ne pas utiliser cet appareil dans de petites pièces si elles sont occupées par des personnes incapables d'en sortir par elles-mêmes, sauf si elles sont surveillées en permanence.
9. S'assurer que les meubles, rideaux et autres objets combustibles sont placés à plus d'un mètre de l'appareil.
10. Débrancher l'appareil en cas d'anomalie.
11. Débrancher l'appareil lorsque celui-ci n'est pas utilisé pendant une période prolongée.
12. Bien que cet appareil de chauffage soit conforme aux normes de sécurité, nous recommandons de ne pas l'utiliser sur une moquette extra-épaisse ou sur des tapis à poils longs.
13. L'appareil doit être placé de sorte que la fiche électrique soit accessible.
14. Si le cordon d'alimentation est endommagé, il doit être remplacé par le fabricant, l'agent d'entretien ou une personne de qualification similaire afin d'éviter tout danger.
15. Maintenir le cordon d'alimentation éloigné de l'avant de l'appareil.






## INSTRUCTIONS DE SÉCURITÉ IMPORTANTES

**⚠ AVERTISSEMENT** : Afin d'éviter tout risque de surchauffe, ne jamais couvrir l'appareil. Ne pas placer de matériaux ou de vêtements sur l'appareil de chauffage ou entraver la circulation d'air autour de l'appareil avec des rideaux ou des meubles par exemple, car ceci est susceptible de causer une surchauffe et un risque d'incendie.

**⚠ AVERTISSEMENT** : Pour éviter les risques liés à la réinitialisation accidentelle du disjoncteur thermique, cet appareil ne doit pas être alimenté à travers un dispositif de commutation externe, tel qu'une minuterie, ni branché sur un circuit alternativement mis hors et sous tension.

**⚠ MISE EN GARDE** : Certains des éléments de cet appareil peuvent devenir très chauds et provoquer des brûlures. Être très attentif lorsque des enfants et des personnes vulnérables sont présents.

L'appareil de chauffage porte le symbole d'avertissement  qui indique qu'il ne doit pas être couvert

**CONSERVER CES INSTRUCTIONS**



## Guide de référence rapide

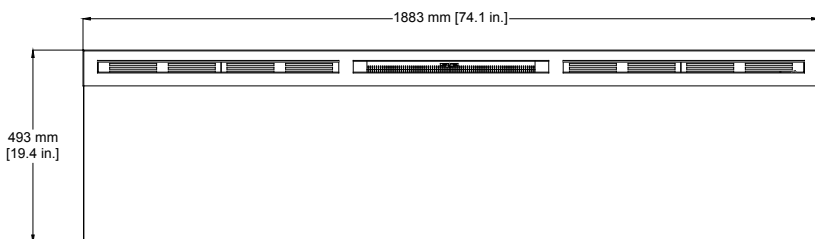
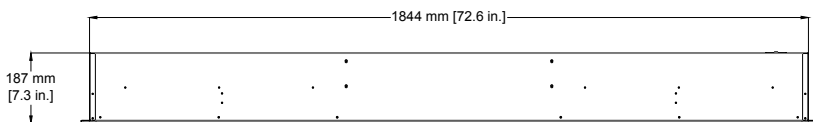
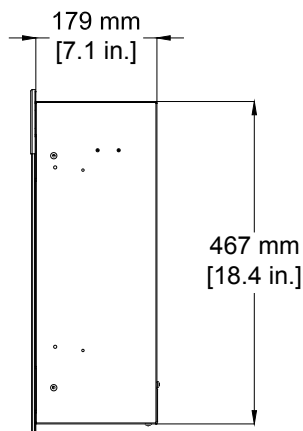
① Les informations électriques concernant votre foyer électrique se trouvent sur l'étiquette située sur la partie avant de l'appareil, derrière la vitre.

Avant de l'installer, noter le numéro de série de votre foyer indiqué en bas pour future référence.

② Si vous avez des questions ou des problèmes techniques concernant le fonctionnement de votre foyer électrique, ou qu'il a besoin d'être réparé, contactez notre service clients.

③ Les dimensions de votre foyer sont indiquées sur la Figure 1.

**Figure 1**



## Installation du foyer

### Choix de l'emplacement

Pour l'installation, examiner et tenir compte de l'ensemble des conditions suivantes :

- Dimensions de l'appareil : 188,3 cm x 49,5 cm
- Pour pouvoir être installé en toute sécurité, l'appareil nécessite au minimum trois (3) montants muraux

Il existe trois méthodes d'installation possibles :

- Méthode d'installation : montage en surface, montage mural encastré ou montage en affleurement
- Méthode par câblage ou branchement sur prise

**⚠ AVERTISSEMENT :** Veiller à ce que le cordon d'alimentation ne soit pas installé de façon à être pincé ou à se trouver contre une bordure tranchante. Veiller à ce qu'il soit correctement rangé ou fixé pour éviter tout risque de chute ou de trébuchement et de réduire le risque d'incendie, de choc électrique ou de dommages aux personnes.

Afin de réduire les risques d'incendie, de choc électrique ou de dommages aux personnes, la construction et le câblage des prises électriques doivent être conformes aux codes locaux du bâtiment et à toutes autres réglementations applicables.

1. Choisir un emplacement non exposé à l'humidité et éloigné de rideaux, meubles et circulation importante.
2. Pour simplifier le branchement électrique, vous pourriez choisir de placer le foyer près d'une prise électrique existante (pour un raccordement pratique).

**! REMARQUE 1 :** un circuit de 13 ampères et de 230-240 volts est requis. Un circuit dédié est préférable mais non essentiel dans tous les cas. Il sera nécessaire si, après l'installation, le disjoncteur se déclenche ou que le fusible fond de façon régulière lorsque l'appareil fonctionne. Des appareils électriques supplémentaires sur le même circuit pourraient dépasser le courant nominal du disjoncteur.

3. Retirer du carton le foyer, sa vitre et le matériel et se débarrasser de tous les emballages avant de procéder à l'installation.
4. Stocker le foyer dans un endroit sûr, sec et à l'abri de la poussière jusqu'à ce que vous soyez prêt à l'installer.

## Installation du foyer

Le foyer est fourni avec une prise à trois broches pour faciliter son branchement. Il est également possible de procéder au câblage du foyer en retirant la fiche du cordon d'origine et en effectuant le câblage conformément aux codes de l'électricité locaux et nationaux.

**⚠ AVERTISSEMENT :** n'essayez pas de brancher vous-même vos nouvelles prises ou circuits. Pour réduire le risque d'incendie, de choc électrique ou de blessures aux personnes, toujours faire appel à un électricien agréé.

**⚠ AVERTISSEMENT :** veiller à ce que le commutateur à 3 positions soit en position Arrêt (« O ») et que le circuit sur lequel le foyer doit être installé soit coupé à partir du panneau électrique, et ce jusqu'à ce que l'installation soit terminée.

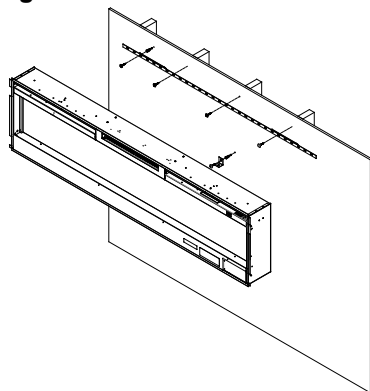
### Installation en surface

**⚠ MISE EN GARDE :** Deux personnes seront nécessaires afin de procéder aux diverses étapes de cette procédure.

1. Choisir l'endroit de montage de l'appareil de façon à pouvoir installer le support de montage mural dans 3 montants muraux.

**! REMARQUE :** Il est recommandé de ne pas placer le support de montage à plus de 142 cm 56 in. du sol afin d'obtenir une vue optimale de la flamme.

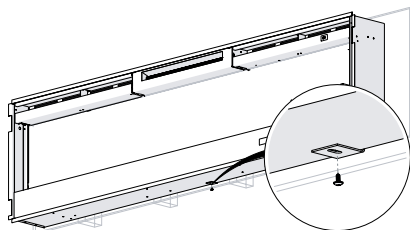
Figure 2



2. Placer le niveau à bulle sur le dessus du support de montage mural. Régler le support mural pour que la bulle du niveau soit centrée entre les deux lignes noires.
3. Marquer sur le mur les 4 emplacements pour les vis de montage, en s'assurant que le support mural demeure de niveau. (Figure 3)
4. Dans les emplacements où les vis sont installées dans les cloisons sèches, placer les dispositifs d'ancrage au mur fournis avant de visser (percer d'abord si nécessaire).
5. Fixer le support au mur à l'aide des vis de montage 1/2 in de 3,8 cm fournies, des rondelles et/ou des dispositifs d'ancrage.

## Installation du foyer

Figure 3



6. Centrer le support inférieur sur le support mural à l'aide du matériel de montage approprié, à 350 mm  $13 \frac{3}{4}$ " en dessous du support mural. (Figure 2)
7. Retirer la vis centrale au bas du foyer. (Figure 3)
8. Suspender le foyer sur le support.
9. Insérer la vis retirée dans le support inférieur et dans le foyer.
10. Pour les procédures d'installation finales, consulter la section sur l'installation de la vitre frontale.

### Montage mural encastré - profondeur 100 mm

**⚠ MISE EN GARDE :** deux personnes peuvent être nécessaires afin de procéder aux diverses étapes de cette procédure.

1. Préparer un mur avec une ouverture de 185,7 cm de large x 42 cm de haut (Figure 4).

**! REMARQUE :** ces dimensions laissent un espace supplémentaire de 6,4 mm tout autour du foyer encastrable afin d'en faciliter l'installation. Ce foyer ne nécessite pas de ventilation supplémentaire.

2. Choisir la méthode d'alimentation électrique de l'appareil :
  - Brancher l'appareil (vous pouvez faire passer le cordon d'alimentation par l'ouverture dans le mur et le brancher sur une prise existante ou bien en installer une nouvelle sur un montant à l'intérieur du mur situé à proximité).
  - Câbler le foyer.

**! REMARQUE :** Il est également possible de procéder au câblage en retirant la fiche du cordon d'origine et en effectuant le câblage conformément aux codes de l'électricité locaux et nationaux.

**⚠ AVERTISSEMENT :** n'essayez pas de brancher vous-même vos nouvelles prises ou circuits. Pour réduire le risque d'incendie, de choc électrique ou de blessures aux personnes, toujours faire appel à un électricien agréé.

Veiller à ce que le commutateur à 3 positions soit en position Arrêt (« O ») et que le circuit sur lequel le foyer doit être installé soit coupé à partir du panneau électrique, et ce jusqu'à ce que l'installation soit terminée.

## Installation du foyer

3. Soulever le foyer et l'insérer dans l'ouverture (Figure 5).
4. Utiliser le niveau à bulle (fourni) afin de mettre le foyer de niveau dans l'encadrement. Ajuster si nécessaire.
5. Introduire les quatre (4) vis de montage fournies dans les quatre (4) orifices de montage situés sur chaque coin du châssis du foyer, dans les montants muraux (Figure 6).
6. Pour les procédures d'installation finales, consulter la section sur l'installation de la vitre frontale.

### Montage en affleurement - profondeur 200 mm

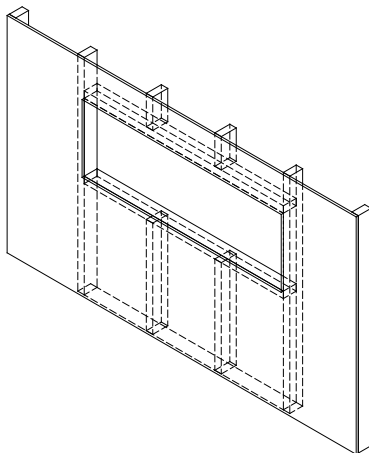
**⚠ MISE EN GARDE :** deux personnes peuvent être nécessaires afin de procéder aux diverses étapes de cette procédure.

1. Préparer un mur avec une ouverture de 185,7 cm de large x 47 cm de haut (Figure 7).

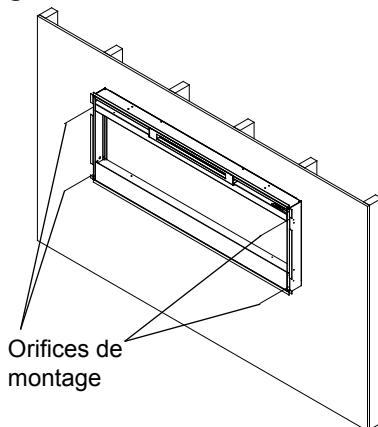
**! REMARQUE :** ces dimensions laissent un espace supplémentaire de 6,4 mm tout autour du foyer encastrable afin d'en faciliter l'installation. Ce foyer ne nécessite pas de ventilation supplémentaire.

2. Choisir la méthode d'alimentation électrique de l'appareil :

**Figure 4**



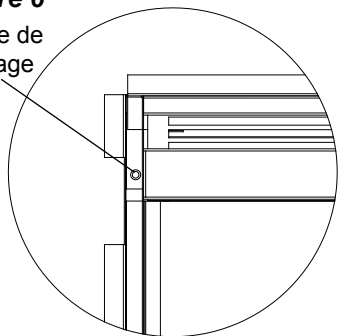
**Figure 5**



## Installation du foyer

**Figure 6**

Orifice de montage



- Brancher l'appareil (vous pouvez faire passer le cordon d'alimentation par l'ouverture dans le mur et le brancher sur une prise existante ou bien en installer une nouvelle sur un montant à l'intérieur du mur situé à proximité).
- Câbler le foyer.

**! REMARQUE :** Il est également possible de procéder au câblage en retirant la fiche du cordon d'origine et en effectuant le câblage conformément aux codes de l'électricité locaux et nationaux.

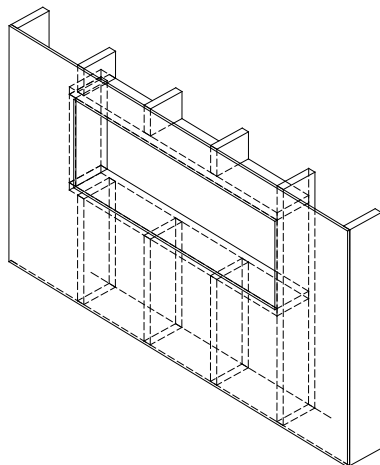
**⚠ AVERTISSEMENT :** n'essayez pas de brancher vous-même vos nouvelles prises ou circuits. Pour réduire le risque d'incendie, de choc électrique ou de blessures aux personnes, toujours faire appel à un électricien agréé.

Veiller à ce que le commutateur à 3

positions soit en position Arrêt (« O ») et que le circuit sur lequel le foyer doit être installé soit coupé à partir du panneau électrique, et ce jusqu'à ce que l'installation soit terminée.

3. Soulever le foyer et l'insérer dans l'ouverture. L'encastrement du foyer devrait être parfaitement aligné sur la surface du mur (Figure 8).
4. Utiliser le niveau à bulle (fourni) afin de mettre le foyer de niveau dans l'encadrement. Ajuster si nécessaire.
5. Introduire les quatre (4) vis de montage fournies dans les quatre (4) orifices de montage situés sur la surface interne du châssis du foyer, dans les

**Figure 7**



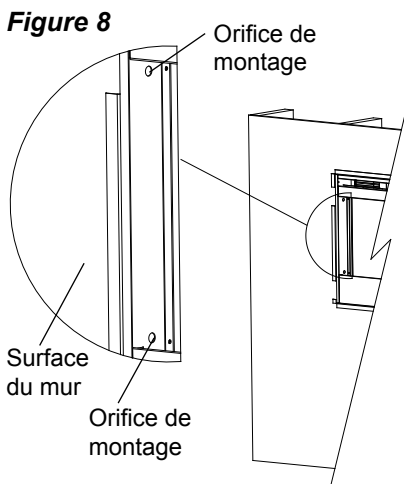
## Installation du foyer

montants muraux (Figure 8).

6. Pour les procédures d'installation finales, consulter la section sur l'installation de la vitre frontale.

### Installation de la vitre frontale

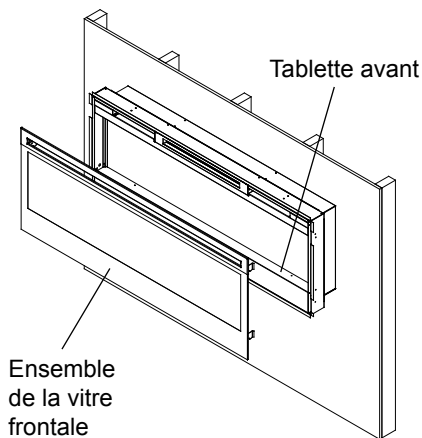
1. Répartir de manière uniforme les galets de verre fournis sur la tablette avant du foyer (Figure 9).
2. Fixer soigneusement l'ensemble de vitre frontale pour que les crochets de la vitre frontale (4) soient suspendus sur les montants de la vitre frontale du foyer (4) (Figure 10).
3. Utiliser les deux (2) vis à tôle cruciformes fournies pour fixer les pattes de montage de la vitre au foyer (Figure 11).
4. S'assurer que le commutateur à 3 positions du foyer soit en position Arrêt (« O »).
5. Si l'appareil n'a pas de câblage, brancher le foyer à une prise de 10 Amp, 230-240 V (voir la REMARQUE 1).



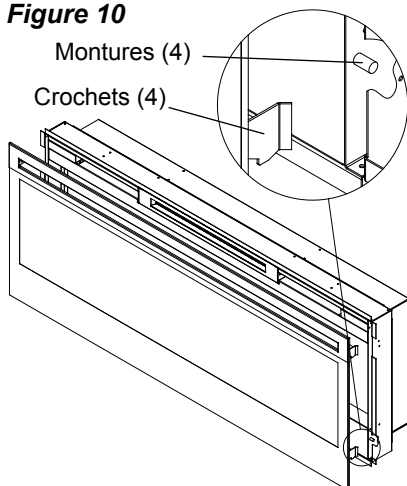


## Installation du foyer

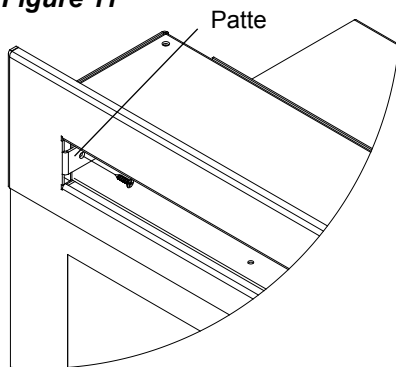
**Figure 9**



**Figure 10**

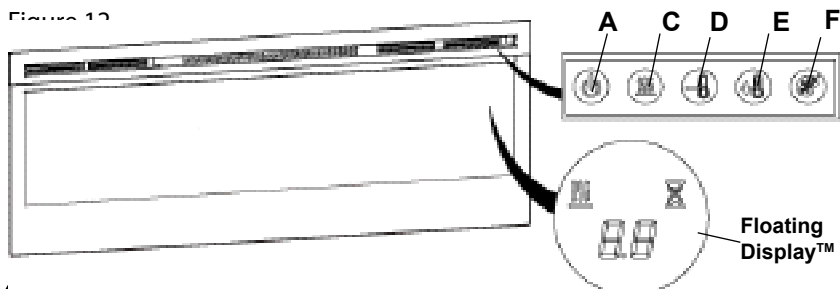


**Figure 11**



## Utilisation

Figure 12



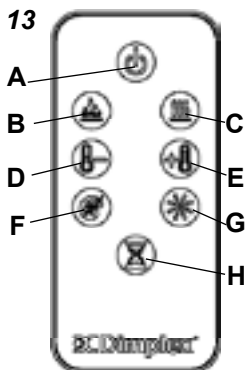
électrique doit être installé correctement avant son utilisation. L'appareil peut être commandé à l'aide des commandes manuelles situées dans la partie supérieure droite du foyer ou à distance (Figures 12 et 13).

Le foyer est livré avec une télécommande multifonction à RI.

**! NOTE:** Pour qu'elle fonctionne correctement, la télécommande doit être pointée vers le Floating Display<sup>MC</sup>.

### A. Mode veille

Figure 13



Met en marche et arrête l'appareil.


→ Activé en appuyant sur la touche de veille (Standby) de la télécommande ou de l'appareil.

- L'appareil se met en marche en activant les mêmes fonctions qui étaient réglées au moment de l'arrêt, et la température de l'air d'admission est indiquée à l'afficheur frontal.

**! NOTE:** À la pression de n'importe quelle touche, la température de l'air d'admission apparaît à l'afficheur frontal pendant 5 secondes.

### B. Effets de flamme

Met en marche et arrête la effets de flamme.

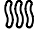
→ Activé en appuyant sur la touche  de la télécommande.


### C. Interrupteur de chaleur

Les cycles de manière séquentielle de l'unité à travers les 3 paramètres : faible chaleur , forte


## Utilisation

chaleur et désactivé.

→ Activé en appuyant sur la touche  de l'appareil ou de la télécommande.

- Indiqué par l'icône  et en fonction du réglage de la température de l'air d'admission à l'afficheur frontal, pendant 5 secondes avant de s'arrêter.

**! NOTE:** Après que le chauffage est désactivé il ya un retard ventilateur 60 secondes, où le ventilateur continue de tourner avant d'éteindre.


**! NOTE:** L'appareil peut fonctionner en mode de **chauffage seulement** (sans bûches ni flammes). Lorsque l'appareil fonctionne en mode de chauffage seulement, l'icône  et la température de l'air d'admission apparaît de façon continue à l'afficheur frontal.


**! NOTE:** Au cours de la première utilisation, la fonction de chauffage peut dégager une légère odeur inoffensive. Cette situation, provoquée par le chauffage initial des dispositifs de chauffage internes du foyer, est normale et ne devrait plus se produire par la suite.

### **D & E.** Touches de commande du thermostat

Règle la température en fonction de vos besoins individuels. Une



fois la température souhaitée atteinte, la fonction de chauffage s'arrêtera. Cette dernière se réactivera et se désactivera par cycles afin de maintenir la température souhaitée. Par défaut, la température réglée est de 22 °C (72 °F).

→ Réglé en appuyant sur  pour diminuer le réglage et sur

 pour augmenter au moyen de l'appareil ou de la télécommande.

- L'afficheur frontal indique le réglage de température.



**! NOTE:** Maintenir enfoncée la

touche  et la touche  de l'appareil pendant deux secondes pour faire alterner les échelles de température entre les degrés °C et °F.



### **Désactivation de la fonction de chauffage**

Si désiré, selon la saison, la fonction de chauffage de l'appareil peut être désactivée. L'appareil fonctionnera normalement à l'aide des autres commandes.

En appuyant simultanément sur

les touches  et  de l'appareil et en les maintenant enfoncées pendant 2 secondes, la fonction de chauffage se désactive et se réactive.

**! NOTE:** Lorsque la fonction de

chauffage est désactivée et que la touche  ou  est pressée, l'afficheur frontal indique "--".


### **F. Thèmes de couleurs**

L'appareil comporte différentes combinaisons d'éclairage ambiant et de couleurs.

→ Changé en appuyant à répétition sur la touche correspondante de la télécommande ou de l'appareil.

- Active alternativement les différents paramètres d'éclairage ambiant de l'appareil, soit les diverses combinaisons de couleurs des ampoules bas ainsi que de l'éclairage des matériaux incandescents.

**! NOTE:** Le dernier thème du cycle est un prisme, ou les cycles de l'unité à travers une variété de couleurs.

Appuyer sur la touche  à arrête le cycle et tient l'unité de la couleur préférée, indiquée par un "U" - débloquera ou d'un "F" - gèlera..

### **G. Clarté**

Pour modifier la clarté de l'éclairage de l'appareil.

→ Réglé en appuyant à répétition sur la touche correspondante de la télécommande.

- Indiqué par le deuxième chiffre sur le Floating Display™ changer de montrer : «H» (élevée) et «L» (faible).

### **H. Minuterie d'arrêt automatique**

La minuterie d'arrêt automatique peut être réglée pour arrêter automatiquement le foyer après un délai prédéfini (de 30 minutes à 8 heures).

→ Pour régler la minuterie, presser la touche de la minuterie de la télécommande ou de l'appareil jusqu'à ce que le délai désiré s'affiche.

- L'afficheur frontal indiquera les différents délais réglés. Une fois que la minuterie se met en marche, appuyer sur la touche



pour afficher le temps résiduel avant que l'appareil ne s'arrête.

**! NOTE:** Il est possible d'annuler la minuterie d'arrêt automatique en tout temps en appuyant de nombreuses fois sur la touche



jusqu'à ce que la minuterie n'affiche plus rien.

### **Réarmement du disjoncteur du circuit de la température**

En cas de surchauffe, un interrupteur éteindra automatiquement l'appareil, qui ne pourra être remis en marche tant que le disjoncteur n'aura pas été réarmé. Il peut être réinitialisée en débranchant l'appareil et attendre 5 minutes avant de rebrancher l'unité dans.

### Remplacement de la pile de la télécommande

Pour remplacer la pile :

1. Ouvrir le compartiment à pile situé sur la télécommande.
2. Installer correctement une pile de 3 volts (CR2032 [plus la vie] ou CR2025) dans le compartiment à pile.
3. Refermer le compartiment à pile.

La batterie doit être recyclée ou éliminée de façon appropriée. Vérifiez auprès de votre municipalité ou votre revendeur pour obtenir des conseils dans votre région.





## Entretien

**⚠ AVERTISSEMENT :** Couper l'alimentation avant de procéder à tout entretien ou nettoyage afin de réduire le risque d'incendie, d'électrocution ou de blessure.

### **Nettoyage de la vitre partiellement réfléchissante**

La vitre partiellement réfléchissante a été nettoyée à l'usine, lors de l'assemblage. Pendant le transport, l'installation, la manipulation etc., la vitre partiellement réfléchissante peut se couvrir de particules de poussière. Pour les faire disparaître, épousseter la vitre à l'aide d'un chiffon propre et sec.

Pour enlever les traces de doigts ou d'autres marques, nettoyer la vitre partiellement réfléchissante avec un

chiffon humide. Pour prévenir les taches d'eau, la vitre partiellement réfléchissante doit être entièrement séchée à l'aide d'un chiffon non pelucheux. Pour éviter de la rayer, ne pas utiliser de produits nettoyants abrasifs.

### **Nettoyage des surfaces du foyer**

Nettoyer les surfaces peintes du foyer à l'aide d'un chiffon humide. Ne pas utiliser de produit nettoyant abrasif.

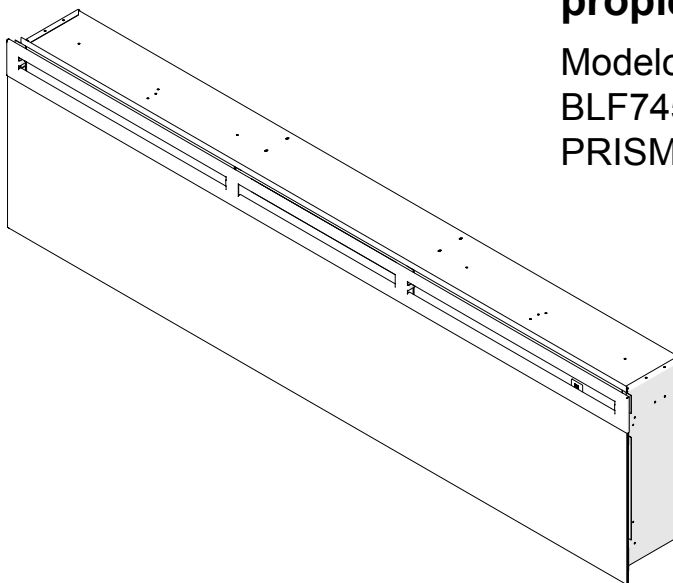
### **Entretien**

Tout type d'entretien autre que l'installation et le nettoyage décrits dans ce manuel doit être effectué par un agent de service autorisé.

Better solutions through innovation

## Manual del propietario

Modelo  
BLF7451-EU  
PRISM 74"



EN

FR

**ES**

IT

DE

PL

RU







NO

NL

**AVISO IMPORTANTE SOBRE SEGURIDAD:** Lea este manual antes de tratar de instalar o utilizar esta chimenea. Por su seguridad, cumpla siempre todas las advertencias e instrucciones sobre seguridad contenidas en este manual para evitar lesiones personales o daños en sus pertenencias.



## Contenido

	Bienvenida y felicitaciones . . . . .	3
	INSTRUCCIONES IMPORTANTES SOBRE SEGURIDAD . . . . .	4
	Guía de referencia rápida . . . . .	7
	Instalación de la chimenea . . . . .	8
	Selección de la ubicación . . . . .	8
	Superficie Instalación . . . . .	9
	Instalación en nicho en la pared - 100 mm de profundidad . . . . .	10
	Empotrada Instalación - 200 mm de profundidad . . . . .	11
	Instalación del cristal delantero . . . . .	13
	Funcionamiento . . . . .	15
	Mantenimiento . . . . .	19

Recorra siempre a los servicios de un técnico cualificado o agencia de servicio para la reparación de esta chimenea.

**! NOTA:** Procedimientos y técnicas que se considera especialmente importante destacar.

**⚠ PRECAUCIÓN:**  
Procedimientos y técnicas que, de no seguirse atentamente, producirán daños al equipo.

**⚠ ADVERTENCIA:**  
Procedimientos y técnicas que, de no seguirse atentamente, expondrán al usuario a riesgo de incendio, lesiones graves o incluso la muerte.



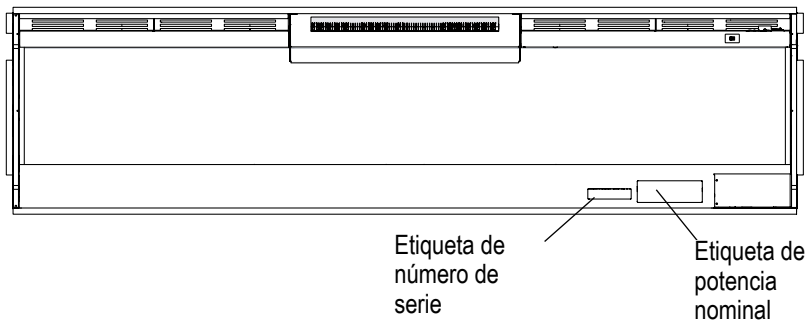
## Bienvenida y felicitaciones

Gracias y felicitaciones por elegir una chimenea eléctrica de Dimplex, líder mundial en chimeneas eléctricas.

**Lea atentamente y guarde estas instrucciones.**

**⚠ PRECAUCIÓN:** Lea atentamente todas las instrucciones y advertencias antes de comenzar la instalación. No seguir estas instrucciones puede tener como consecuencia una descarga eléctrica y peligro de incendio, además de dejar sin validez la garantía.

Registre a continuación el número de modelo y de serie para consultarlos en el futuro: encontrará los números de modelo y de serie en la Etiqueta de modelo y número de serie de su chimenea.



## INSTRUCCIONES IMPORTANTES SOBRE SEGURIDAD

**Lea todas las instrucciones antes de utilizar este aparato.**

Al utilizar aparatos eléctricos, deberán adoptarse en todo momento precauciones básicas para reducir riesgos de incendio, descarga eléctrica y lesiones personales, como por ejemplo:

1. Si el aparato está dañado, consulte al proveedor antes de la instalación y puesta en funcionamiento.
2. No utilizar en exteriores.
3. No utilizar cerca de un baño, ducha o piscina.
4. No situar el aparato inmediatamente debajo de una toma de corriente fija o cuadro de conexiones.
5. Este electrodoméstico puede ser utilizado por niños de 8 años en adelante y personas cuyas capacidades físicas, sensoriales o mentales estén disminuidas o que carezcan de la experiencia y conocimientos suficientes para manejarlo, siempre que cuenten con las instrucciones o la supervisión sobre el uso del electrodoméstico de forma segura y comprendan los riesgos. Este aparato no es un juguete para niños. La limpieza y mantenimiento no deberá realizarse por niños sin supervisión.
6. No deberá dejarse acercar al aparato a niños menores de 3 años sin supervisión continua. Los niños de entre 3 y 8 años de edad solo deberán encender/apagar el aparato si este se ha colocado o instalado en su posición normal de funcionamiento y el niño está supervisado o ha recibido instrucciones sobre el uso seguro del aparato y comprende los peligros que existen. Los niños de entre 3 y 8 años de edad no deben enchufar, regular ni limpiar

## INSTRUCCIONES IMPORTANTES SOBRE SEGURIDAD

el aparato ni llevar a cabo tareas de mantenimiento.


7. No utilice este aparato en serie con un control de temperatura, controlador de programas, temporizador o ningún otro aparato que encienda automáticamente el calefactor, ya que existe riesgo de incendio si el dispositivo se cambia de posición o se cubre accidentalmente.
8. Este aparato no va equipado con un dispositivo para controlar la temperatura ambiente. No utilice este aparato en habitaciones pequeñas cuando estén ocupadas por personas que no sean capaces de salir de la habitación por sus propios medios, salvo que exista supervisión constante.
9. Asegúrese de que no haya muebles, cortinas u otros materiales combustibles a menos de un metro del aparato.
10. En caso de fallo, desenchufe el aparato.
11. Desenchufe el aparato cuando no se vaya a utilizar durante periodos prolongados.
12. Aunque este aparato cumple las normas de seguridad, no se recomienda su uso en alfombras de pelo espeso o alfombrillas de pelo largo.
13. Este aparato debe colocarse de modo que el enchufe quede accesible.
14. Si el cable eléctrico está dañado debe ser sustituido por el fabricante o agente de servicio o persona con cualificación similar para evitar peligros.
15. Mantenga el cable eléctrico apartado del frontal del aparato.

## **⚠ INSTRUCCIONES IMPORTANTES SOBRE SEGURIDAD**

**⚠ ADVERTENCIA:** Para evitar que se produzca sobrecalentamiento, no cubra el aparato. No coloque materiales o prendas sobre el dispositivo ni obstruya la circulación de aire alrededor del dispositivo, por ejemplo por cortinas o muebles, ya que esto podría provocar sobrecalentamiento y riesgo de incendio.

**⚠ ADVERTENCIA:** Para evitar peligros debido al reinicio involuntario del desconectador térmico, este aparato no debe recibir corriente de un dispositivo con interruptor externo, como puede ser un temporizador, ni conectarse a un circuito con conexión y desconexión automáticas por parte de la compañía eléctrica.

**⚠ PRECAUCIÓN:** Algunas piezas de este producto pueden calentarse mucho y provocar quemaduras. Deberá prestarse especial atención si hay niños o personas vulnerables presentes.

El calefactor tiene el símbolo de advertencia  que indican que no debe estar cubierto

## **CONSERVE ESTAS INSTRUCCIONES**



## Guía de referencia rápida

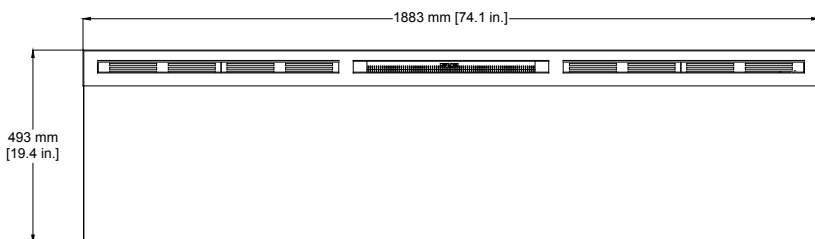
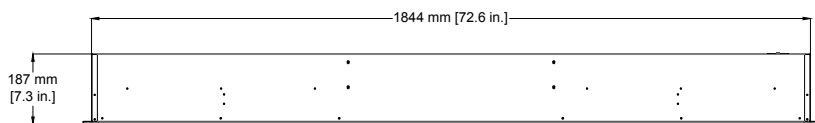
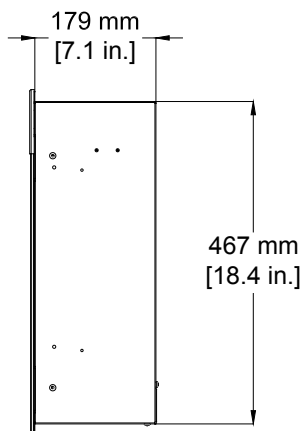
- 1 Encontrará la información eléctrica sobre la chimenea en la etiqueta de potencia nominal situada en la parte frontal de la unidad, detrás del cristal.

Antes de la instalación, copie debajo el número de serie de la chimenea para posibles consultas en el futuro.

- 2 Si tiene alguna pregunta técnica en relación con el funcionamiento de su chimenea eléctrica, o precisa servicio técnico, póngase en contacto con el centro de atención al cliente.

- 3 Para dimensiones de la chimenea, consulte la Figura 1.

**Figura 1**



# Instalación de la chimenea

---

## Selección de la ubicación

Repase y considere todas las siguientes condiciones para la instalación:

- Dimensiones de la unidad:  
188,3 cm x 49,5 cm
- La instalación de la unidad con seguridad precisa al menos tres (3) tacos en la pared

Tres posibles métodos de instalación:

- Método de instalación:  
Instalación en superficie, en nicho en la pared o empotrada
- Con cableado fijo o con enchufe

**⚠ ADVERTENCIA:** Asegúrese de que el cable de instalación no esté instalado de forma que quede pellizcado o contra un borde agudo, y compruebe que el cable de alimentación se guarde o proteja para evitar tropezones y tirones, para reducir el riesgo de incendio, descarga eléctrica o lesiones personales.

La construcción y el cableado de la toma eléctrica deberán cumplir los códigos locales de construcción y otras normas vigentes para reducir el riesgo de incendio, descarga eléctrica y lesiones personales.

1. Seleccione una ubicación que no sea susceptible de recibir humedad y apartada de cortinas, muebles y elevada circulación de personas.
2. Para facilitar la conexión eléctrica, posiblemente desee situar la chimenea cerca de una toma de corriente ya existente (mayor comodidad en la conexión).

**! NOTA 1:** Se necesita un circuito de 13 amperios y 230-240 voltios. Es preferible un circuito exclusivo, pero no es esencial en todos los casos. Será necesario un circuito exclusivo si, después de la instalación, el cortacorriente se activa o el fusible se funde de forma continuada cuando el calefactor está en funcionamiento. La conexión de otros dispositivos al mismo circuito puede hacer superar la corriente nominal del cortacorriente.

3. Saque de la caja la chimenea, el cristal delantero y las piezas auxiliares y retire todos los materiales de embalado antes de la instalación.

## Instalación de la chimenea

4. Guarde la chimenea en un lugar seguro, seco y sin polvo hasta que esté preparado para comenzar la instalación.

La chimenea se sirve con enchufe de tres conectores para facilitar la conexión. También es posible realizar un cableado fijo quitando el enchufe del cable colocado en fábrica y completando el cableado según los códigos eléctricos nacionales y locales.

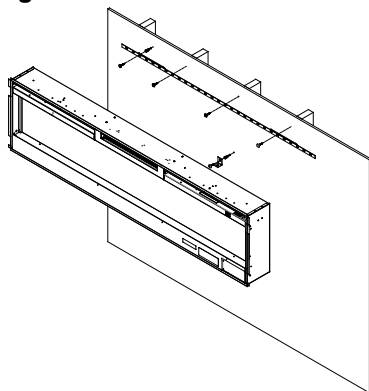
**⚠ ADVERTENCIA:** No trate de cablear enchufes o circuitos nuevos. Para reducir el riesgo de incendio, descarga eléctrica o lesiones personales, recurra siempre a los servicios de un electricista profesional.

**⚠ ADVERTENCIA:** Asegúrese de que el interruptor de tres posiciones esté en posición de desconectado ("O") y de que el circuito en el que se va a instalar la chimenea tenga la alimentación cortada en el panel de servicio hasta finalizar la instalación.

### Instalación en superficie

**⚠ PRECAUCIÓN:** En varios pasos de este procedimiento se necesitará la participación de dos personas.

**Figura 2**



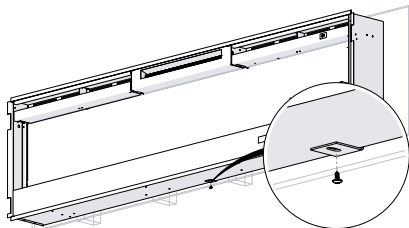
1. Determine la ubicación de la unidad de modo que el soporte para montaje en la pared pueda instalarse con tres tacos.

**! NOTA:** Recomendamos instalar el soporte de montaje a 142 cm 56 in. del suelo para mantener un óptimo ángulo de visión de la llama.

2. Sujete el soporte de montaje en pared con el nivel de burbuja en la parte superior, contra la pared, de modo que la burbuja del nivel quede centrada entre las dos líneas negras.
3. Marque la ubicación de los cuatro tornillos de montaje en la pared, asegurándose de que el soporte esté nivelado. (Figura 3)

## Instalación de la chimenea

Figura 3



4. Si los tornillos van a colocarse solo sobre pladur, instale los anclajes suministrados antes de colocar el tornillo (taladre previamente en su caso).
5. Fije el soporte de pared contra la pared utilizando los tornillos suministrados de  $\frac{1}{2}$  in 3,8 cm y las arandelas en la pared y/o anclajes de la pared.
6. Instale el soporte inferior sobre la pared centrado con el soporte de montaje en la pared, utilizando los materiales adecuados, a  $13\frac{3}{4}$  " 350 mm por debajo del soporte de montaje en la pared. (Figura 2)
7. Saque el tornillo central de la parte inferior de la chimenea. (Figura 3)
8. Apoye la chimenea en el soporte.

9. Coloque el tornillo que retiró, haciéndolo pasar por el soporte inferior de la chimenea.
10. Consulte los procedimientos finales de instalación en la sección Instalación del cristal delantero.

### Instalación en nicho en la pared - 100 mm de profundidad

**⚠ PRECAUCIÓN:** En varios pasos de este procedimiento puede ser necesaria la participación de dos personas.

1. Prepare una pared con una abertura enmarcada de 185,7 cm de ancho x 42 cm de alto (Figura 4).

**! NOTA:** Las dimensiones incluyen 6,4 mm alrededor del encastre de la chimenea para facilitar la instalación. La chimenea no precisa ventilación adicional.

2. Escoja el método de alimentación eléctrica de la unidad:
  - Enchufe (es posible que tenga que sacar el cable por la abertura de la pared hasta una toma eléctrica o instalar una toma eléctrica en un soporte mural).



## Instalación de la chimenea

- Cableado permanente.

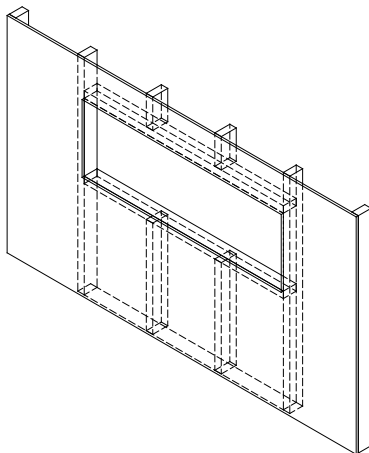
**! NOTA:** También es posible realizar cableado fijo quitando el enchufe del cable colocado en fábrica y completando el cableado según los códigos eléctricos nacionales y locales.

**⚠ ADVERTENCIA:** No trate de cablear enchufes o circuitos nuevos. Para reducir el riesgo de incendio, descarga eléctrica o lesiones personales, recurra siempre a los servicios de un electricista profesional.

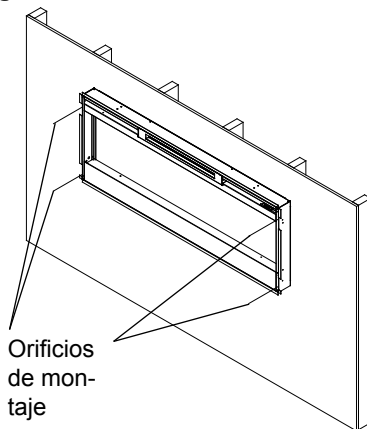
Asegúrese de que el interruptor de tres posiciones esté en posición de desconectado ("O") y de que el circuito en el que se va a instalar la chimenea tenga la alimentación cortada en el panel de servicio hasta finalizar la instalación.

3. Levante la chimenea e introdúzcala en la abertura (Figura 5).
4. Utilice el nivel de burbuja (suministrado) para nivelar la chimenea en el marco. Haga los ajustes necesarios.
5. Coloque cuatro (4) tornillos de montaje suministrados en los cuatro (4) orificios de montaje situados en cada esquina del chasis de la chimenea, con tacos para pared (Figura 6).

**Figura 4**



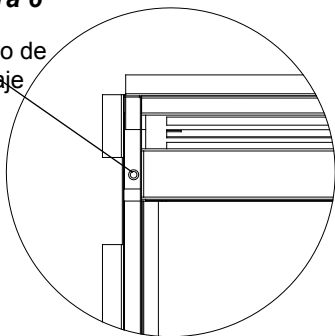
**Figura 5**



# Instalación de la chimenea

**Figura 6**

Orificio de montaje



6. Consulte los procedimientos finales de instalación en la sección Instalación del cristal delantero.

## Empotrada Instalación - 200 mm de profundidad

**⚠ PRECAUCIÓN:** En varios pasos de este procedimiento puede ser necesaria la participación de dos personas.

1. Prepare una pared con una abertura enmarcada de 185,7 cm de ancho x 47 cm de alto (Figura 7).

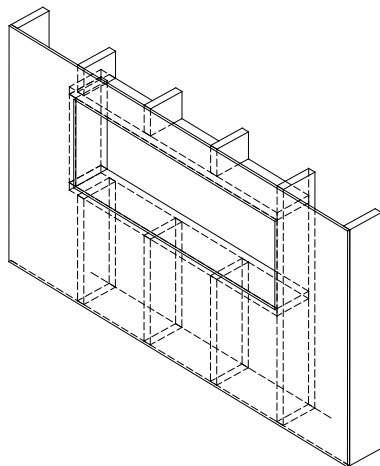
**! NOTA:** Las dimensiones incluyen 6,4 mm alrededor del encastre de la chimenea para facilitar la instalación. La chimenea no precisa ventilación adicional.

2. Escoja el método de alimentación eléctrica de la unidad:

- Enchufe (es posible que tenga que sacar el cable por la abertura de la pared hasta una toma eléctrica o instalar una toma eléctrica en un soporte mural).
- Cableado permanente.

**! NOTA:** También es posible realizar cableado fijo quitando el enchufe del cable colocado en fábrica y completando el cableado según los códigos eléctricos nacionales y locales.

**Figura 7**

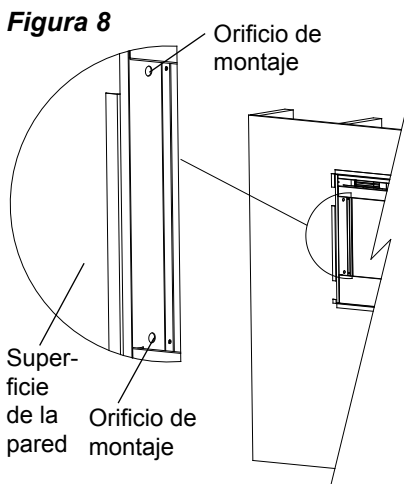


# Instalación de la chimenea

**⚠ ADVERTENCIA:** No trate de cablear enchufes o circuitos nuevos. Para reducir el riesgo de incendio, descarga eléctrica o lesiones personales, recurra siempre a los servicios de un electricista profesional.

Asegúrese de que el interruptor de tres posiciones esté en posición de desconectado ("O") y de que el circuito en el que se va a instalar la chimenea tenga la alimentación cortada en el panel de servicio hasta finalizar la instalación.

3. Levante la chimenea e introdúzcala en la abertura. El borde de montaje de la chimenea deberá quedar al nivel de la pared (Figura 8).
4. Utilice el nivel de burbuja (suministrado) para nivelar la chimenea en el marco. Haga los ajustes necesarios.
5. Coloque cuatro (4) tornillos de montaje suministrados en los cuatro (4) orificios de montaje situados en la superficie interior del chasis de la chimenea, con tacos para pared (Figura 8).
6. Consulte los procedimientos finales de instalación en la sección Instalación del cristal delantero.

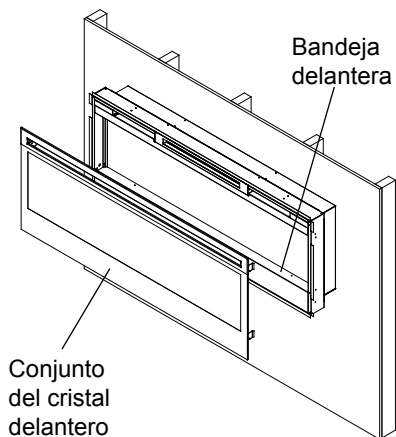


## Instalación del cristal delantero

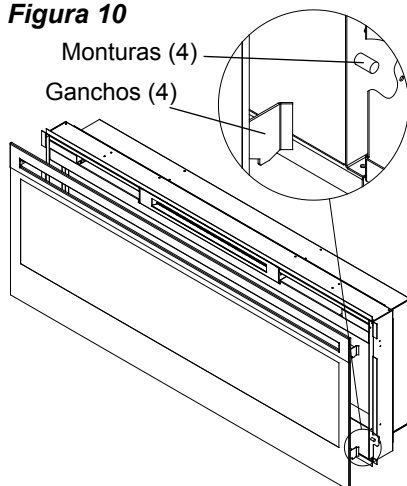
1. Distribuya uniformemente las piedras de cristal suministradas en la bandeja delantera de la chimenea (Figura 9).
2. Coloque con cuidado el conjunto del cristal delantero de modo que los ganchos del cristal delantero (4) queden colocados sobre las monturas para el cristal delantero de la chimenea (4) (Figura 10).

## Instalación de la chimenea

**Figura 9**

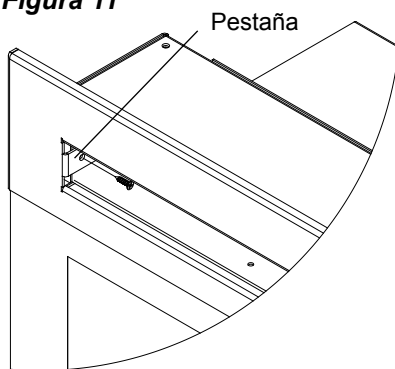


**Figura 10**



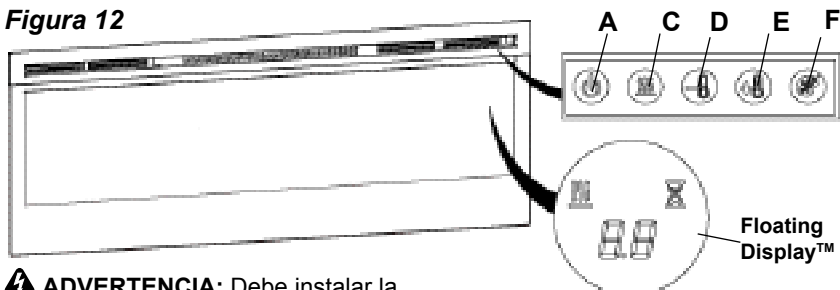
3. Utilice los dos (2) tornillos Phillips para lámina de metal suministrados para ajustar las lengüetas del conjunto del cristal sobre la chimenea (Figura 11).
4. Compruebe que el interruptor de tres posiciones de la chimenea esté en posición de desconectado ("O").
5. Si la unidad no tiene cableado fijo, enchufe la chimenea a una toma de 10 amperios y 230-240 voltios (consultar NOTA 1).

**Figura 11**



## 👉 Funcionamiento

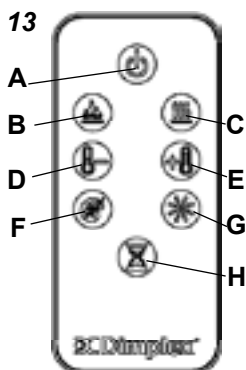
Figura 12



**⚠ ADVERTENCIA:** Debe instalar la cámara de combustión eléctrica de manera adecuada antes de utilizarla. Puede controlar la unidad por control remoto y con los controles manuales, los cuales se encuentran en la parte superior derecha de la chimenea (Figuras 12 y 13). La chimenea incluye un control remoto multifunción IR.

**! NOTA:** El control remoto debe estar orientado hacia el Floating Display™ para funcionar correctamente.

Figura 13



### A. Botón del modo de espera

Enciende y apaga la unidad


→ Se activa al presionar el botón de modo de espera en el control remoto o en la unidad.

- La unidad se encenderá con las mismas funciones que se habían configurado antes de que se apagara y la temperatura de admisión se indicará en la pantalla de datos.

**! NOTA:** Cuando presione algún botón, la temperatura de admisión aparecerá en la pantalla de datos durante 5 segundos.

### B. Efectos de llama


Enciende y apaga los efectos de llama.


→ Se activa al presionar el botón  de modo de espera en el control remoto.

### C. Calor encendido/apagado


## Funcionamiento

Ciclos de la unidad de forma secuencial a través de los 3 ajustes: Bajo calor, Mucho calor y desactivado.

→ Se activa al presionar el botón  en el control remoto o en la unidad.

- Se indicará con el ícono  y la temperatura de admisión se mostrará en la pantalla de datos durante 5 segundos antes de apagarse.



**! NOTA:** Después de que la calor está desactivado, hay un retraso de 30 segundo ventilador, donde el ventilador continuará funcionando antes de apagarse.

**! NOTA:** La unidad se puede operar en modo de **sólo calor** (sin leños ni llamas). Cuando la unidad sólo funciona como calentador, el  ícono y temperatura de admisión se mostrará continuamente en la pantalla de datos.



**! NOTA:** El calentador puede emitir un ligero olor inocuo cuando se utiliza por primera vez. Este olor es una normal y es provocado por el calentamiento inicial de las piezas internas del calentador, pero no sucederá de nuevo.


**D & E.**  **Controles del termostato**

Ajusta la temperatura establecida a sus necesidades específicas. Una vez alcanzada la temperatura deseada, el calentador se apagará. El calentador realizará un ciclo de encendido y apagado para mantener la temperatura que haya establecido. El ajuste predeterminado de temperatura es de 72°F (22°C).


→ Para ajustarla, presione  para disminuir la temperatura establecida y  para aumentarla en el control remoto o en la unidad.



- La pantalla de datos indicará la temperatura establecida conforme la ajuste.

**! NOTA:** Presione el botón  et el botón  en la unidad durante dos segundos para cambiar la temperatura de °C a °F, o vice versa.

**Para desactivar el calentador**  
Si lo desea, dependiendo de la temporada, puede desactivar el calentador. La unidad funcionará de la misma manera, con un recordatorio de los controles. Mantenga los botones  y

## Funcionamiento

 presionados en la unidad al mismo tiempo, durante 2 segundos para desactivar y activar el calentador.

**! NOTA:** Cuando desactive el calentador y los botones  o  estén presionados, la pantalla de datos indicará "--".


### **F.** Temas de color

La unidad contiene varias combinaciones de colores de luz ambiental.

→ Se ajusta al presionar repetidamente el botón correspondiente en el control remoto o en la unidad.

- Varía entre los diferentes tipos de efectos de luz de la unidad, incluye varias combinaciones de colores de la luz de llama y la luz de los medios.

**! NOTA:** El último tema del ciclo es un prisma donde los ciclos de la unidad a través de una variedad de colores. Al pulsar el

 botón se detiene el ciclismo y mantiene la unidad en el color preferido, indicado por una "U" - Descongelar o una "F" - congela.

### **G.** Brillo

Cambie el brillo de las luces en la

unidad.


→ Se ajusta al presionar repetidamente el botón correspondiente en el control remoto.

- Indicado por el segundo dígito de la Floating Display™ cambia para mostrar: "H" (alto), "L" (bajo).

### **H.** Temporizador de apagado automático


El temporizador de apagado automático puede configurarse para que la chimenea se apague automáticamente después de un tiempo preestablecido (de 30 minutos a 8 horas).

→ Para configurar el temporizador, presione el botón de temporizador ya sea en el control remoto o en la unidad, varias veces, hasta que la hora deseada aparezca.

- La pantalla de datos indicará los diferentes tiempos conforme se vaya ajustando. Una vez que se active el temporizador, presione el botón  para mostrar el tiempo que falta para que se apague la unidad.

**! NOTA:** El temporizador de apagado automático puede cancelarse en cualquier momento

## **Funcionamiento**

presionando repetidamente el botón  hasta que dicho temporizador no muestre nada en la pantalla.

### **Para restablecer el interruptor de corte de corriente de la temperatura**

Si el calentador se sobrecalienta, un cortacircuitos lo apagará, y no se volverá a encender si no lo reconfigura. Puede volver a activarse desconectando la unidad y esperar 5 minutos antes de enchufar la unidad interactivo.

### **Reemplazo de la batería del control remoto**

Para reemplazar la batería:

1. Deslice y abra la cubierta del compartimiento de la pila en el transmisor de mano.
2. Instale correctamente una batería de 3 voltios (CR2032 [vida más larga] o CR2025) en el compartimiento de las baterías.
3. Cierre la cubierta de la batería.

Es necesario reciclar la batería o desecharla correctamente. Consulte con las autoridades locales o con un minorista para obtener información sobre el reciclaje en su área.







## Mantenimiento

**⚠ ADVERTENCIA:** Desconecte la alimentación antes de realizar ninguna tarea de mantenimiento para reducir el riesgo de incendio, descarga eléctrica o lesiones personales.

### **Limpieza del cristal parcialmente reflectante**

El cristal parcialmente reflectante se limpia en fábrica durante el proceso de montaje. Durante el transporte, instalación, manipulado, etc., el cristal parcialmente reflectante puede atraer partículas de polvo, que pueden eliminarse pasando con suavidad un paño seco y limpio.

Para eliminar huellas de dedos y otras marcas, el cristal parcialmente reflectante puede limpiarse con un paño seco y limpio. El cristal parcialmente reflectante deberá secarse por completo con un paño que no suelte hilas para evitar manchas de agua. Para evitar rayones, no utilice limpiadores abrasivos.

### **Limpieza de superficies de la chimenea**

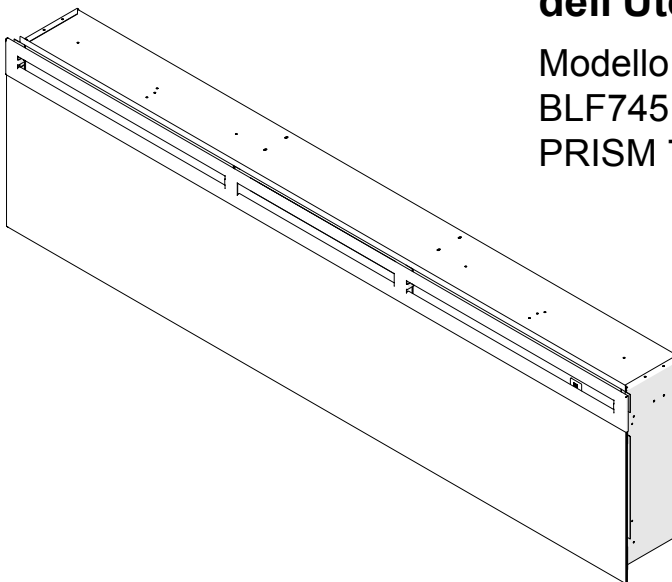
Utilice solo un paño humedecido para limpiar las superficies pintadas de la chimenea. No utilice limpiadores abrasivos.

### **Servicio**

Salvo para las tareas de instalación y limpieza descritas en este manual, estas tareas de servicio deberán ser realizadas por un representante autorizado de servicio.

## Manuale dell'Utente

Modello  
BLF7451-EU  
PRISM 74"



EN

FR

ES

**IT**

DE

PL

RU

NO

NL







---

**IMPORTANTI INFORMAZIONI DI SICUREZZA:** Leggere attentamente il presente manuale prima di installare o utilizzare la stufa. Per garantire la sicurezza, rispettare tutte le avvertenze e le istruzioni di sicurezza contenute nel presente manuale per evitare lesioni personali o danni.

---



## Indice

	Benvenuti e congratulazioni . . . . .	3
	<b>ISTRUZIONI IMPORTANTI PER LA SICUREZZA</b> . . . . .	4
	Guida Rapida . . . . .	7
	Installazione della stufa . . . . .	8
	Scelta del luogo di installazione . . . . .	8
	Installazione in superficie . . . . .	9
	Installazione in nicchia - 100 mm di Profondità. . . . .	10
	Installazione Montaggio a filo - 200 mm di Profondità . . .	11
	Installazione del Vetro Anteriore . . . . .	13
	Funzionamento. . . . .	15
	Manutenzione. . . . .	19

Per le riparazioni si raccomanda di rivolgersi sempre a un tecnico qualificato o a un rappresentante dell'assistenza tecnica.

**! NOTA:** Procedure e tecniche che meritano di essere evidenziate per la loro importanza.

**! ATTENZIONE:** Procedure e tecniche che, se non rispettate con attenzione, danneggeranno l'apparecchio.

**! AVVERTENZA:** Procedure e tecniche che, se non rispettate con attenzione, esporranno l'utilizzatore al rischio di incendio, lesioni gravi o morte.

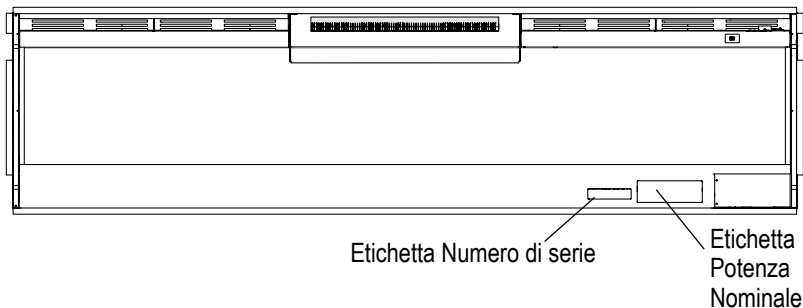
## Benvenuti e congratulazioni

Grazie e congratulazioni per aver scelto di acquistare una stufa elettrica Dimplex, leader mondiale nel settore.

**Si raccomanda di leggere attentamente e conservare queste istruzioni.**

**⚠ ATTENZIONE:** Si raccomanda di leggere attentamente le istruzioni e le avvertenze prima di procedere con l'installazione. La mancata osservanza delle istruzioni, può provocare scosse elettriche e rischio d'incendio, annullando inoltre la garanzia.

Si prega di annotare il numero di modello e di serie, indicati di seguito, per riferimento futuro: il numero di modello e di serie si trovano sull'etichetta omonima ubicata sulla stufa.





## **ISTRUZIONI IMPORTANTI PER LA SICUREZZA**

### **Leggere tutte le istruzioni prima di utilizzare l'apparecchio.**

Durante l'uso del prodotto adottare le misure di sicurezza valide per qualsiasi apparecchio elettrico, onde evitare incendi, scosse elettriche e infortuni ai presenti. Prestare particolare attenzione alle seguenti raccomandazioni:

1. Se il prodotto risulta danneggiato, rivolgersi al fornitore prima di installarlo e utilizzarlo.
2. Non utilizzare l'apparecchio all'aperto.
3. Non utilizzare l'unità nelle immediate vicinanze di bagni, docce o piscine.
4. Non collocare l'apparecchio direttamente sotto una presa di corrente o una centralina.
5. Questo apparecchio può essere usato da bambini a partire dagli 8 anni e da adulti con limitate capacità fisiche, sensoriali o mentali o con scarsa esperienza o conoscenza sull'uso dell'apparecchio, solamente se sorvegliati o se sono stati istruiti relativamente all'uso dell'apparecchio e se hanno compreso i rischi che comporta. Impedire ai bambini di giocare con l'apparecchio. La pulizia e la manutenzione non devono essere effettuate da bambini non sorvegliati.
6. In mancanza di costante supervisione, i bambini con meno di 3 anni di età devono essere tenuti a distanza. I bambini con età compresa tra i 3 e gli 8 anni possono accendere/spengere l'apparecchio se lo stesso è posizionato o installato nella normale posizione di funzionamento, se supervisionati o istruiti relativamente all'uso dell'apparecchio e se hanno compreso i rischi coinvolti. I bambini con un'età compresa tra i 3 e gli 8 anni non devono eseguire le operazioni di



## ISTRUZIONI IMPORTANTI PER LA SICUREZZA

collegamento, regolazione, pulizia e manutenzione dell'apparecchio.

7. Non utilizzare l'apparecchio con un dispositivo di controllo termico, un controller di programma, un timer o qualsiasi altro dispositivo che accenda l'apparecchio automaticamente, poiché, qualora questo venisse accidentalmente coperto o spostato, si potrebbero verificare incendi.
8. Questo apparecchio non è dotato di un dispositivo di controllo dell'ambiente. Non utilizzare questo apparecchio in ambienti piccoli se occupati da persone non autonome e non in grado di lasciare la stanza da soli, salvo in presenza di una costante supervisione.
9. Non lasciare mobili, tende o altro materiale potenzialmente infiammabile a meno di 1 metro dall'apparecchio.
10. In caso di guasti, scollegare l'apparecchio dalla presa di corrente.
11. Se si prevede di non utilizzare l'apparecchio per un certo periodo, scollegarlo dalla presa di corrente.
12. Sebbene il prodotto sia conforme alle norme di sicurezza, se ne sconsiglia l'utilizzo su moquette o tappeti a pelo lungo.
13. Posizionare l'unità in modo che la spina sia facilmente raggiungibile.
14. In caso di danni al cavo di alimentazione, farlo sostituire dal produttore, da un tecnico dell'assistenza o da chiunque possieda le competenze necessarie a eseguire l'operazione in condizioni di sicurezza.
15. Tenere il cavo di alimentazione lontano dalla parte anteriore dell'apparecchio.




## ISTRUZIONI IMPORTANTI PER LA SICUREZZA

**⚠ AVVERTENZA:** Non coprire l'apparecchio onde evitare che si surriscaldi. Non collocarvi sopra alcun oggetto o rivestimento, né ostacolare in alcun modo la circolazione dell'aria intorno all'unità, per esempio con tende o mobili, poiché ciò può causare surriscaldamento e incendi.

**⚠ AVVERTENZA:** Per evitare il rischio di una reimpostazione involontaria dell'interruttore di sicurezza termico, questo apparecchio non deve essere alimentato da un dispositivo di commutazione esterno, come ad esempio un timer, né deve essere collegato ad un circuito che venga regolarmente acceso e spento dalla società di fornitura elettrica.

**⚠ ATTENZIONE:** Alcune parti del prodotto possono diventare molto calde e provocare ustioni. È necessario prestare particolare attenzione in presenza di bambini e persone vulnerabili.

L'apparecchio riporta il simbolo di avvertenza   
per indicare che non deve essere coperto

# CONSERVARE QUESTE ISTRUZIONI



## Guida Rapida

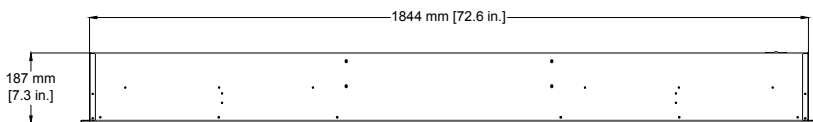
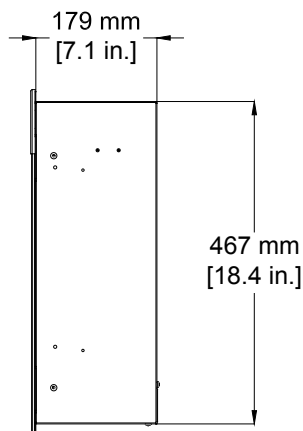
① I dati elettrici relativi alla stufa elettrica si trovano sull'etichetta della potenza nominale posta sul lato anteriore dell'unità, dietro al vetro.

Prima dell'installazione, annotare di seguito il numero di serie per riferimento futuro.

② In caso di domande tecniche o problemi relativi al funzionamento della stufa elettrica, o nel caso di bisogno di assistenza contattare l'assistenza clienti.

③ Per le dimensioni della stufa, fare riferimento alla Figura 1.

**Figura 1**





## Installazione della stufa

### Scelta del luogo di installazione

Rivedere e tenere presente le seguenti condizioni per l'installazione:

- Dimensioni dell'unità: 188,3 cm x 49,5 cm
- L'unità richiede almeno tre (3) perni per parete per garantire un'installazione sicura

Esistono tre possibili metodi di installazione:

- Metodo di installazione: Montaggio in superficie, in nicchia o a filo
- Metodo cablato o a innesto

**⚠ AVVERTENZA:** Verificare che il cavo di alimentazione non sia installato in un punto in cui possa essere schiacciato o su un bordo tagliente e assicurarsi che venga nascosto o fissato per evitare che qualcuno possa inciamparvi o impigliarvi per ridurre il rischio di incendio, scosse elettriche o lesioni alle persone.

Il cablaggio della costruzione e delle prese elettriche deve soddisfare i codici di edilizia locali ed altre normative applicabili per ridurre il rischio di incendi, scosse elettriche e lesioni alle persone.

1. Scegliere un'ubicazione non sottoposta a umidità e lontana da tende, mobili e passaggi frequenti.
2. Per una più semplice accensione elettrica, è possibile posizionare la stufa accanto ad una presa esistente (per comodità di collegamento).

**! NOTA 1:** È necessario un circuito da 13 Amp e 230-240 Volt. Si consiglia di utilizzare un circuito dedicato anche se non è sempre necessario. Il circuito dedicato sarà necessario se, dopo l'installazione, l'interruttore scatta o il fusibile scoppia regolarmente quando si accende la stufa. Altri apparecchi collegati allo stesso circuito potrebbero superare la corrente nominale dell'interruttore.

3. Rimuovere la stufa, il vetro anteriore e la bulloneria dalla scatola ed eliminare i materiali di imballaggio prima dell'installazione.
4. Conservare la stufa in un luogo sicuro, asciutto e privo di polvere fino a quando non si è pronti per installarla.

## Installazione della stufa

La stufa è fornita di spina con messa a terra per un pratico collegamento. È anche possibile cablare la stufa rimuovendo la spina dal cavo di alimentazione di fabbrica ed eseguendo il cablaggio conformemente ai Codici di Elettricità locali e nazionali.

**⚠ AVVERTENZA:** Non tentare di cablare le proprie prese o i propri circuiti. Per ridurre il rischio di incendio, scosse elettriche o lesioni a persone, utilizzare un elettricista qualificato.

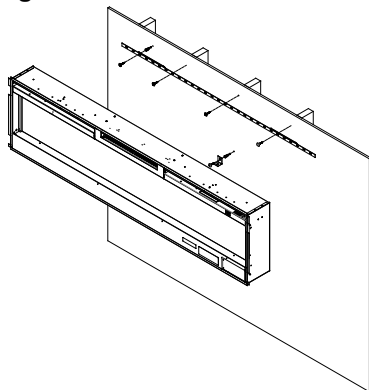
**⚠ AVVERTENZA:** Verificare che l'interruttore a 3 posizioni sia impostato su Spento ("O") e che il circuito sul quale deve essere installata la stufa abbia la sospensione dell'energia sul quadro generale fino al completamento dell'installazione.

### Installazione in superficie

**⚠ ATTENZIONE:** Diversi passaggi di questa procedura richiedono la presenza di due persone.

1. Stabilire la posizione per il montaggio dell'unità in modo da poter installare la staffa a parete in 3 perni.

**Figura 2**

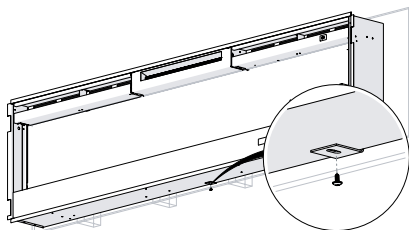


**! NOTA:** Si consiglia di installare la staffa a 142 cm dal pavimento per mantenere un'angolazione ottimale della visuale della fiamma.

2. Sorreggere la staffa di montaggio a parete con la livella al di sopra fino a quando la bolla non si trova al centro tra le due linee nere.
3. Contrassegnare i punti per le 4 viti di montaggio sulla parete, assicurandosi che la staffa a parete rimanga in posizione. (Figura 3)
4. Nei punti in cui le viti vengono installate esclusivamente nel cartongesso, sistemare gli stop forniti prima di inserire la vite (perforare preventivamente se necessario).

## Installazione della stufa

Figura 3



5. Fissare la staffa alla parete utilizzando le  $\frac{1}{2}$  viti da 3,8 cm e le rondelle per la parete e/o gli stop.
6. Installare la staffa di supporto inferiore alla parete centrata rispetto alla staffa di montaggio a parete utilizzando la bulloneria appropriata  $13\frac{3}{4}$  (350 mm) al di sotto della staffa di montaggio a parete. (Figura 2)
7. Rimuovere la vite centrale dalla parte inferiore della stufa. (Figura 3)
8. Agganciare la stufa alla staffa.
9. Reinserrire la vite rimossa attraverso la staffa di supporto inferiore nella stufa.
10. Fare riferimento alle procedure finali di installazione alla sezione Installazione del Vetro Anteriore.

### Installazione in nicchia - 100 mm di Profondità

**⚠ ATTENZIONE:** Diversi passaggi di questa procedura richiedono la presenza di due persone.

1. Preparare una parete con un vano intelaiato da 185,7 cm di larghezza x 42 cm di altezza (Figura 4).

**! NOTA:** Esiste un gioco di 6,4 mm attorno al vano stufa per comodità di installazione. Questa stufa non richiede ventilazione ulteriore.

2. Scegliere il metodo di collegamento alla rete elettrica:
  - A innesto (è possibile collegare il cavo di alimentazione ad una presa esistente al di fuori del vano a parete o installare una presa su un perno a parete vicino).
  - Cablare la stufa.

**! NOTA:** È possibile cablare la stufa rimuovendo la spina dal cavo di alimentazione di fabbrica ed eseguendo il cablaggio conformemente ai Codici di Elettricità locali e nazionali.

## Installazione della stufa

**⚠ AVVERTENZA:** Non tentare di cablare le proprie prese o i propri circuiti. Per ridurre il rischio di incendio, scosse elettriche o lesioni a persone, utilizzare un elettricista qualificato.

Verificare che l'interruttore a 3 posizioni sia impostato su Spento ("O") e che il circuito sul quale deve essere installata la stufa abbia la sospensione dell'energia sul quadro generale fino al completamento dell'installazione.

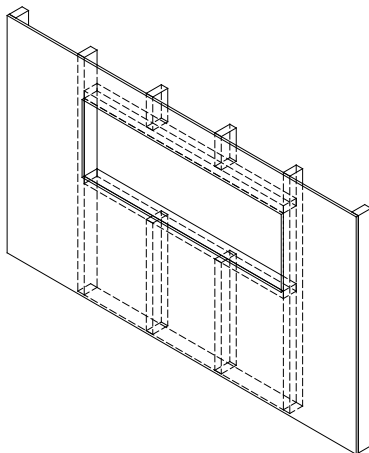
3. Sollevare la stufa e inserirla nel vano (Figura 5).
4. Utilizzare la livella a bolla (fornita) per centrare la stufa all'interno del telaio. Regolare se necessario.
5. Avvitare le quattro (4) viti di montaggio fornite attraverso i quattro (4) fori di montaggio posti in ciascun angolo della stufa, nei perni a parete (Figura 6).
6. Fare riferimento alle procedure finali di installazione alla sezione Installazione del Vetro Anteriore.

### Installazione Montaggio a filo - 200 mm di Profondità

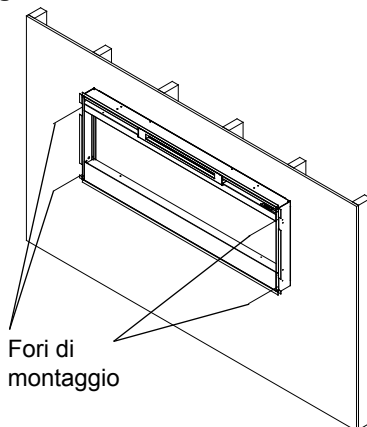
**⚠ ATTENZIONE:** Diversi passaggi di questa procedura richiedono la presenza di due persone.

1. Preparare una parete con un vano intelaiato da 185,7 cm di

**Figura 4**



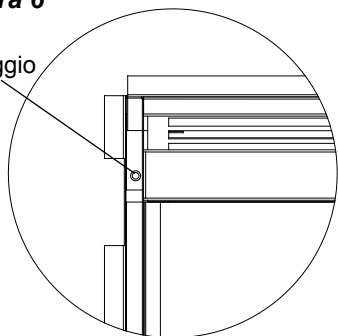
**Figura 5**



## Installazione della stufa

**Figura 6**

Foro di  
montaggio



larghezza x 47 cm di altezza  
(Figura 7).

**! NOTA:** Esiste un gioco di 6,4 mm attorno al vano stufa per comodità di installazione. Questa stufa non richiede ventilazione ulteriore.

2. Scegliere il metodo di collegamento alla rete elettrica:

- A innesto (è possibile collegare il cavo di alimentazione ad una presa esistente al di fuori del vano a parete o installare una presa su un perno a parete vicino).
- Cablare la stufa.

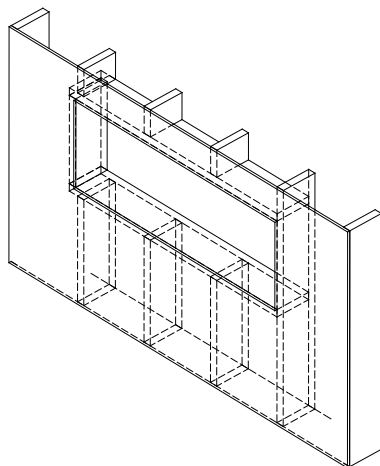
**! NOTA:** È possibile cablare la stufa rimuovendo la spina dal cavo di alimentazione di fabbrica ed eseguendo il cablaggio conformemente ai Codici di Elettricità locali e nazionali.

**⚠ AVVERTENZA:** Non tentare di cablare le proprie prese o i propri circuiti. Per ridurre il rischio di incendio, scosse elettriche o lesioni a persone, utilizzare un elettricista qualificato.

Verificare che l'interruttore a 3 posizioni sia impostato su Spento ("O") e che il circuito sul quale deve essere installata la stufa abbia la sospensione dell'energia sul quadro generale fino al completamento dell'installazione.

3. Sollevare la stufa e inserirla nel vano. Il rivestimento della stufa deve essere a filo con la parete (Figura 8).

**Figura 7**



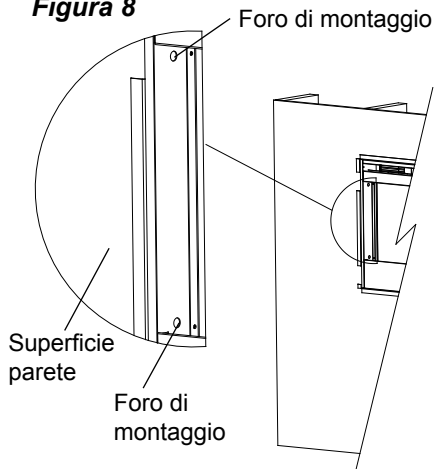
## **Installazione della stufa**

4. Utilizzare la livella a bolla (fornita) per centrare la stufa all'interno del telaio. Regolare se necessario.
5. Avvitare le quattro (4) viti di montaggio fornite attraverso i quattro (4) fori di montaggio posti nella superficie interna del telaio della stufa, nei perni a parete (Figura 8).
6. Fare riferimento alle procedure finali di installazione alla sezione **Installazione del Vetro Anteriore**.

### **Installazione del Vetro Anteriore**

1. Distribuire uniformemente le pietre di vetro sul piano anteriore della stufa (Figura 9).
2. Montare delicatamente il gruppo vetro anteriore in modo tale che i ganci del vetro anteriore (4) si aggancino ai supporti del vetro anteriore sulla stufa (4) (Figura 10).
3. Utilizzare le due (2) viti per lamiera Phillips per fissare le linguette del gruppo vetro alla stufa (Figura 11).

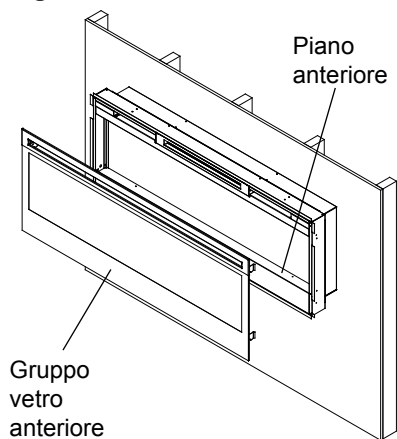
**Figura 8**



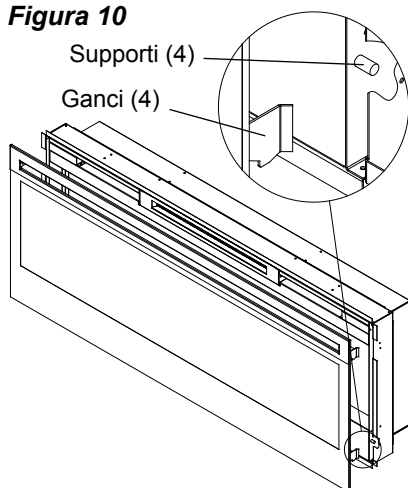
4. Verificare che l'interruttore a 3 posizioni della stufa si trovi sulla posizione di Spento ("0").
5. Se l'unità non è cablata, collegare la stufa ad una presa da 10 Amp, a 230-240 Volt (fare riferimento alla NOTA 1).

## Installazione della stufa

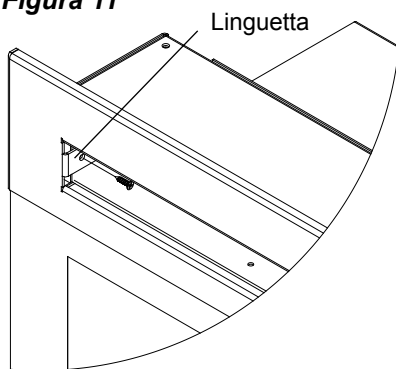
**Figura 9**



**Figura 10**

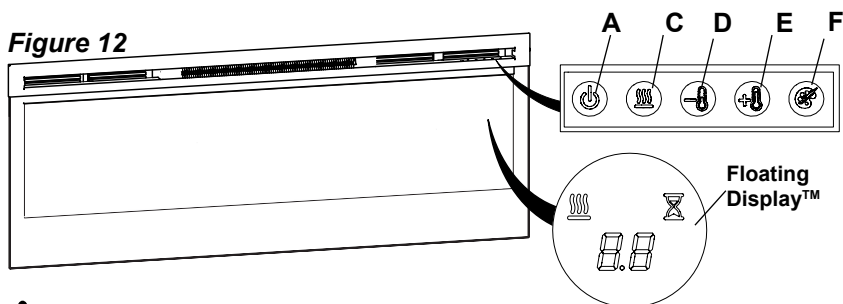


**Figura 11**



## 👉 Operation

Figure 12



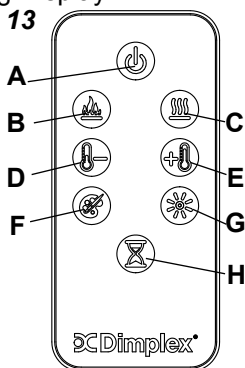
**⚠ AVVERTENZA:** Installare correttamente il caminetto elettrico prima dell'uso.

L'unità può essere controllata manualmente, tramite i comandi situati in alto a destra sul caminetto, oppure da remoto (Figure 12 e 13).

Il caminetto è provvisto di telecomando IR multifunzioni.

**! NOTA:** Per funzionare correttamente, il telecomando deve essere puntato verso il Floating Display™.

Figure 13



### A. Standby

Accensione e spegnimento dell'unità.


→ Si aziona premendo il pulsante Standby sul telecomando oppure sull'unità.

- L'unità si accende con le stesse funzioni impostate al momento dello spegnimento. La temperatura di ingresso viene indicata sul display.

**! NOTA:** Premendo un pulsante qualsiasi è possibile ottenere la temperatura di ingresso, che viene visualizzata sul display per 5 secondi.

### B. Effetto fiamma

Accensione e spegnimento dell'effetto fiamma.

→ Si attiva premendo il pulsante  del telecomando.


### C. Accensione e spegnimento del calore


Manda in ciclo l'unità in modo




## Operation

sequenziale tramite 3 diverse impostazioni: Calore basso, Calore alto e Spento.

→ Si attiva premendo il pulsante  del telecomando o direttamente sull'unità.

• È rappresentato dall'icona , con la temperatura di ingresso che viene visualizzata per 5 secondi prima dello spegnimento.

**! NOTA:** Dopo lo spegnimento dell'apparecchio la ventola continua a girare per 60 secondi prima dell'arresto completo.

**! NOTA:** È possibile mettere in funzione l'unità in **Modalità solo riscaldamento**. Quando l'unità è in funzione solo con l'elemento riscaldante, l'icona  continua a essere visualizzata sul display.



**! NOTA:** Al primo utilizzo è possibile che l'elemento riscaldante emetta un leggero odore non nocivo. Si tratta di un fenomeno normale indotto dal riscaldamento iniziale delle parti costitutive dell'elemento, che non si ripete.

Comandi **D** ed **E**.  del termostato



Servono a impostare la temperatura desiderata. Al raggiungimento della temperatura, l'elemento

riscaldante si spegne. Per mantenere i gradi richiesti l'elemento riscaldante si accende e si spegne ciclicamente. La temperatura predefinita è 22°C.

→ La regolazione avviene pre-



sendo  per abbassare e  per aumentare la temperatura, sull'unità o sul telecomando.

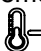

• Il display indica il punto di regolazione della temperatura.

**! NOTA:** Tenendo premuti  e i pulsanti  sull'unità per 2 secondi, la temperatura passa da °C e °F, o viceversa.

### Disattivazione del calore

A seconda della stagione è possibile disattivare l'elemento riscaldante. L'unità continua a funzionare allo stesso modo con i comandi restanti.

Tenendo premuti i  e  sull'unità contemporaneamente per 2 secondi, è possibile attivare e disattivare l'elemento riscaldante.

**! NOTA:** Una volta disattivato l'elemento riscaldante, e premendo  oppure , sul display viene visualizzato "--"

## Operation


### F. Temi a colori

Le diverse combinazioni di illuminazione a colori dell'ambiente predefinite nell'unità.

→ Si modificano premendo ripetutamente il pulsante corrispondente sul telecomando o sull'unità.

- Consente di passare tra le varie impostazioni dell'illuminazione ambiente preconfigurate, tra cui le combinazioni di colori fiamma base e illuminazione media.

**! NOTA:** L'ultimo tema del ciclo di combinazioni è un prisma; l'unità passa tra una serie di colori diversi. La pressione sul pulsante

 interrompe il ciclo bloccando l'unità sul colore preferito. Sul display queste operazioni vengono visualizzate come "U" - Unfreeze (sblocca) o "F" - Freeze (blocca).

### G. Luminosità

Modifica la luminosità delle luci dell'impianto.

→ Si regola premendo ripetutamente il pulsante corrispondente sul telecomando.


- La variazione è visibile nella seconda posizione del Floating Display™: H indica high, alta; L


indica low, bassa.

### H. Timer spegnimento

Il Timer spegnimento può essere impostato per spegnere automaticamente l'unità dopo un intervallo predefinito (da 30 minuti, fino a 8 ore).

→ Per farlo, premere ripetutamente il pulsante timer sul telecomando o sull'unità, finché non viene visualizzato l'intervallo di tempo desiderato.

- Il display mostra i vari intervalli durante la regolazione. Dopo l'avvio del timer, premendo il pulsante  è possibile visualizzare il tempo rimanente prima dello spegnimento dell'unità.

**! NOTA:** È possibile annullare il Timer spegnimento in qualsiasi momento premendo ripetutamente il pulsante  finché il display non visualizza più alcuna informazione.

### **Reimpostazione dopo l'intervento del limitatore di temperatura**

In caso di surriscaldamento dell'elemento riscaldante interviene un interruttore automatico che provvede allo spegnimento. Questo dispositivo di sicurezza deve essere reimpostato manualmente. Per farlo, scollegare l'unità; attendere 5 minuti; quindi collegare nuovamente l'unità.

### **Sostituzione della batteria del telecomando**

Per sostituire la batteria:

1. Rimuovere il coperchio del vano batterie del telecomando facendolo scorrere.
2. Inserire nel verso corretto una batteria da 3 V (CR2032 — durata maggiore — oppure CR2025) nel vano batterie.
3. Chiudere il vano applicando il coperchio.

Riciclare o smaltire la batteria con le modalità previste. Verificare la prassi vigente presso

l'amministrazione locale o presso il distributore.





## Manutenzione

**⚠ AVVERTENZA:** Prima di effettuare qualsiasi operazione di manutenzione o pulizia, scollegare l'alimentazione per ridurre il rischio di incendio, scosse elettriche o lesioni alla persona.

### **Pulizia del Vetro**

#### **Parzialmente Riflettente**

Il vetro parzialmente riflettente viene pulito in fabbrica durante l'operazione di assemblaggio. Durante la spedizione, l'installazione, la manipolazione, ecc., il vetro parzialmente riflettente potrebbe accumulare particelle di polvere; queste possono essere rimosse con un panno asciutto e pulito.

Per rimuovere le impronte o altri segni, il vetro parzialmente riflettente può essere pulito con un panno umido. Il vetro

parzialmente riflettente deve essere completamente asciugato con un panno che non lascia pelucchi per evitare macchie d'acqua. Per evitare graffi, non utilizzare detergenti abrasivi.

#### **Pulizia della superficie della stufa**

Utilizzare esclusivamente un panno umido per pulire le superfici verniciate della stufa. Non utilizzare detergenti abrasivi.

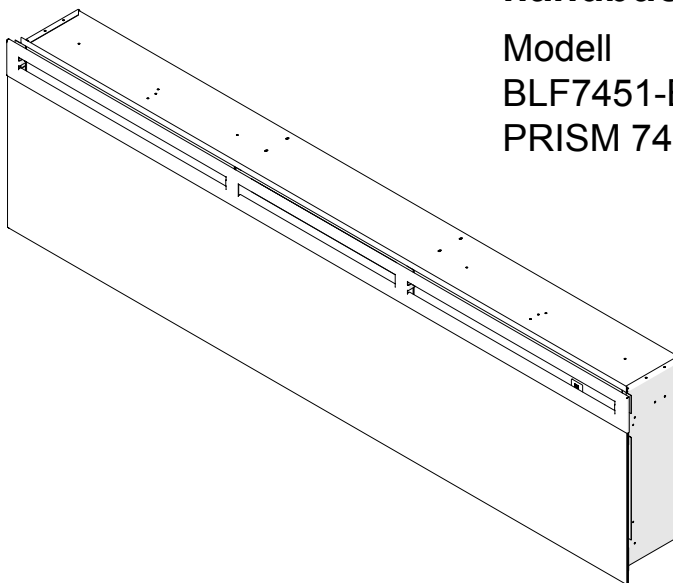
#### **Assistenza**

Ad eccezione dell'installazione e della pulizia descritte nel presente manuale, un rappresentante autorizzato del servizio assistenza deve eseguire ogni altra operazione di manutenzione.

Better solutions through innovation

## Benutzer- handbuch

Modell  
BLF7451-EU  
PRISM 74"



EN

FR

ES

IT

**DE**

PL

RU

NO

NL







---

**WICHTIGE SICHERHEITSHINWEISE:** Lesen Sie dieses Handbuch immer zuerst, bevor Sie versuchen, diesen Kamin zu installieren oder zu verwenden. Um Ihre Sicherheit zu gewährleisten, halten Sie sich stets an alle Warnhinweise und Sicherheitsanweisungen, die in diesem Handbuch enthalten sind, um Verletzungen oder Sachschäden zu vermeiden.

---



## Inhaltsverzeichnis

	Willkommen und herzlichen Glückwunsch . . . . .	3
	WICHTIGE SICHERHEITSANWEISUNGEN . . . . .	4
	Kurzanleitung . . . . .	7
	Kaminmontage . . . . .	8
	Auswahl des Standorts . . . . .	8
	Aufputzmontage . . . . .	9
	Unterputzmontage – 100 mm tief . . . . .	10
	Bündig abgeschlossene Montage – 200 mm tief . . . . .	11
	Einbau der vorderen Glasscheibe . . . . .	13
	Bedienung . . . . .	15
	Wartung . . . . .	19

Beauftragen Sie immer einen qualifizierten Techniker oder einen Kundendienstbeauftragten mit der Reparatur dieses Kamins.

**! HINWEIS:** Verfahren und Methoden, die als wichtig genug angesehen werden, um hervorgehoben zu werden.

**⚠ VORSICHT:** Verfahren und Methoden, deren Nichtbeachtung Schäden an der Einrichtung verursacht.

**⚠ ACHTUNG:** Verfahren und Methoden, deren Nichtbeachtung zu Bränden sowie schweren oder sogar tödlichen Verletzungen führen kann.

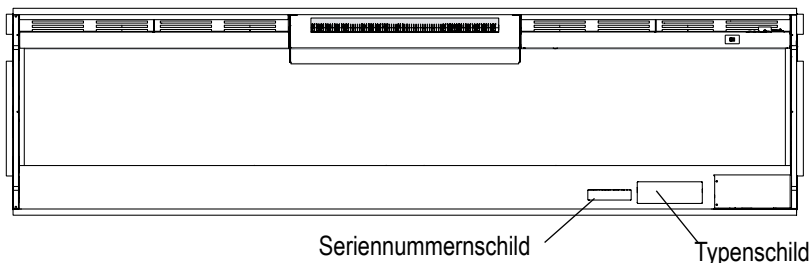
## Willkommen und herzlichen Glückwunsch

Herzlichen Glückwunsch und vielen Dank, dass Sie sich für den Kauf eines Elektrokamins von Dimplex, dem weltweit führenden Hersteller von Elektrokaminen, entschieden haben.

**Bitte lesen Sie diese Anleitungen sorgfältig durch und bewahren Sie sie auf.**

**⚠ VORSICHT:** Lesen Sie vor Beginn der Installation alle Anleitungen und Warnhinweise sorgfältig durch. Bei Nichtbeachtung dieser Anleitungen können Elektroschocks und Brände verursacht werden, und die Gewährleistung erlischt.

Bitte notieren Sie nachstehend Ihre Modell- und Seriennummer für zukünftige Bezugnahme: Die Modell- und Seriennummer können Sie dem Modell- und Seriennummernschild Ihres Kamins entnehmen.





## WICHTIGE SICHERHEITSANWEISUNGEN

### **Lesen Sie sämtliche Anweisungen vor dem Gebrauch dieses Geräts.**

Beim Gebrauch von elektrischen Geräten sollten die grundlegenden Sicherheitsmaßnahmen immer befolgt werden, um das Risiko von Brandbildung, elektrischem Schock und Verletzungen zu minimieren. Das schließt Folgendes ein:

1. Wenn das Gerät beschädigt ist, wenden Sie sich vor einer Installation und Inbetriebnahme an den Händler.
2. Das Gerät darf nicht im Freien verwendet werden.
3. Nicht in unmittelbarer Nähe von Bädern, Duschen oder Schwimmbädern verwenden.
4. Das Gerät darf nicht direkt über oder unter einer festen Steckdose oder Abzweigdose montiert werden.
5. Dieses Gerät kann von Kindern über 8 Jahren, von Personen, deren körperliche oder geistige Unversehrtheit oder deren Wahrnehmungsfähigkeit eingeschränkt ist, sowie von Personen mit mangelnden Kenntnissen oder Erfahrung benutzt werden. Dies gilt nur unter der Voraussetzung, dass sie beaufsichtigt werden oder dass sie eine Einweisung in die sichere Nutzung des Geräts und die damit verbundenen Gefahren erhalten haben. Kinder dürfen mit dem Gerät nicht spielen. Reinigung und Wartung dürfen ohne Beaufsichtigung nicht von Kindern durchgeführt werden.
6. Kinder unter 3 Jahren sollten sich ohne Beaufsichtigung nicht in der Nähe des Geräts aufhalten. Kinder von 3 bis 8 Jahren sollten das Gerät nur ein- oder ausschalten dürfen, wenn es in der dafür vorgesehenen Betriebsposition platziert oder montiert wurde. Dies gilt nur unter der Voraussetzung, dass sie beaufsichtigt werden oder dass sie eine Einweisung in die sichere Nutzung des Geräts und die damit verbundenen





## WICHTIGE SICHERHEITSANWEISUNGEN

Gefahren erhalten haben. Kinder von 3 bis 8 Jahren dürfen das Gerät nicht an eine Steckdose anschließen, benutzen bzw. reinigen oder das Gerät warten.

7. Dieses Gerät nicht in Reihe mit einer Thermosteuerung, einer Programmsteuerung, einer Zeitschaltuhr oder anderen Geräten verwenden, durch die die Heizfunktion automatisch eingeschaltet wird, da Brandgefahr besteht, wenn das Gerät versehentlich bedeckt oder verschoben wird.
8. Dieses Gerät ist nicht mit einer Vorrichtung zur Regelung der Raumtemperatur ausgestattet. Dieses Gerät darf nicht in kleinen Räumen verwendet werden, in denen sich Personen befinden, die die Räume nicht selbstständig verlassen können; es sei denn, es steht eine Aufsichtsperson permanent bereit.
9. Sicherstellen, dass Möbelstücke, Vorhänge/Gardinen und andere entzündbare Materialien mindestens 1 Meter Abstand vom Gerät haben.
10. Bei einem Fehler den Netzstecker des Geräts ziehen.
11. Den Netzstecker des Geräts ziehen, wenn es längere Zeit nicht benötigt wird.
12. Obwohl dieses Gerät die Sicherheitsnormen erfüllt, empfehlen wir nicht den Gebrauch auf Langflorteppichböden oder Langflorläufern.
13. Das Gerät muss so aufgestellt werden, dass der Netzstecker zugänglich ist.
14. Wenn das Netzkabel beschädigt ist, muss es vom Hersteller, einem Kundendienstbeauftragten oder einer vergleichbar qualifizierten Person ausgetauscht werden, um Gefahren zu vermeiden.
15. Das Netzkabel nicht in der Nähe der Vorderseite des Geräts verlegen.




## WICHTIGE SICHERHEITSANWEISUNGEN

**⚠ ACHTUNG:** Zur Vermeidung einer Überhitzung darf das Gerät nicht zugedeckt werden. Keine Stoffe oder Kleidungsstücke auf das Gerät legen. Die Luftzirkulation um das Gerät nicht blockieren, z. B. durch Vorhänge/ Gardinen oder Möbelstücke, da ansonsten Überhitzung und Brandgefahr die Folge sein können.

**⚠ ACHTUNG:** Um eine Gefahr durch das versehentliche Zurücksetzen der thermalen Sicherheitsabschaltung zu vermeiden, darf diese Vorrichtung nicht durch ein externes Schaltgerät (z. B. einen Zeitschalter) mit Strom versorgt oder an einen Schaltkreis angeschlossen werden, der vom Versorgungsbetrieb regelmäßig ein- und ausgeschaltet wird.

**⚠ VORSICHT:** Einige Geräteteile können sehr heiß werden und Verbrennungen hervorrufen. Achten Sie besonders darauf, wenn Kinder oder schutzbedürftige Personen anwesend sind.

Auf dem Heizgerät ist ein Warnsymbol angebracht,  das anzeigt, dass das Gerät nicht abgedeckt werden darf

**DIESE ANLEITUNG BITTE  
SORGFÄLTIG AUFBEWAHREN**



## Kurzanleitung

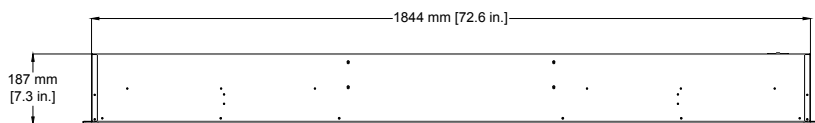
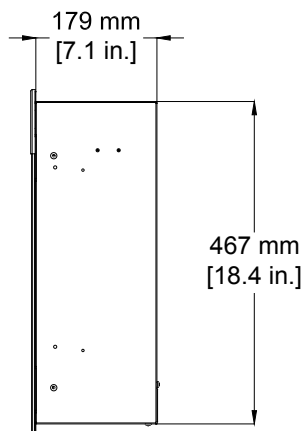
① Die elektrischen Angaben zu Ihrem Elektrokamin können Sie dem vorne am Gerät hinter dem Glas befindlichen Typenschild entnehmen.

Bitte notieren Sie sich vor der Montage unten die Seriennummer Ihres Kamins.

② Bei technischen Fragen oder Anliegen bezüglich der Bedienung Ihres Elektrokamins oder für benötigten Service wenden Sie sich bitte an den Kundendienst.

③ Die Abmessungen Ihres Kamins können Sie Abb. 1 entnehmen.

**Abb. 1**



## Auswahl des Standorts

Überprüfen und berücksichtigen Sie sämtliche der folgenden Bedingungen für die Montage:

- Abmessungen des Geräts: 188,3 cm x 49,5 cm
- Für eine sichere Montage des Geräts sind mindestens drei (3) Montagehölzer erforderlich

Es gibt drei mögliche

Montagemethoden:

- Montagemethode: Aufputzmontage, Unterputzmontage oder bündig abgeschlossene Montage
- Fest verdrahtete oder steckerfähige Methode

**⚠ ACHTUNG:** Sorgen Sie dafür, dass das Netzkabel so installiert ist, dass es nicht abgeklemmt wird oder an einer scharfen Kante vorbeiführt. Stellen Sie außerdem sicher, dass das Netzkabel abgelegt oder gesichert ist, um eine Stolpergefahr oder ein Hängenbleiben zu verhindern und die Gefahr von Bränden, Stromschlägen oder Verletzungen zu verringern.

Konstruktion und Steckdosenverkabelung müssen mit den örtlichen Bauvorschriften und anderen zutreffenden Vorschriften übereinstimmen, um die Gefahr von Bränden, Stromschlägen oder Verletzungen zu verringern.

1. Wählen Sie einen Standort aus, der nicht für Feuchtigkeit anfällig ist und sich nicht in der Nähe von Vorhängen, Möbeln und stark frequentierten Bereichen befindet.
2. Für einen einfacheren elektrischen Anschluss können Sie den Kamin in der Nähe einer bereits vorhandenen Steckdose (für eine steckerfähige Nutzung) anbringen.

**! HINWEIS 1:** Sie benötigen eine 13 Amp, 230–240 Volt Stromversorgung. Ein eigener Stromkreis ist vorzuziehen, jedoch nicht immer unbedingt erforderlich. Ein eigener Stromkreis ist dann erforderlich, wenn der Schutzschalter nach der Installation bei Betrieb des Heizgeräts regelmäßig auslöst oder eine Sicherung durchbrennt. Zusätzliche Geräte am selben Stromkreis können die Strombelastbarkeit des Schutzschalters überschreiten.

3. Nehmen Sie den Kamin, die vordere Glasscheibe und die Beschlagteile aus der Verpackung und entfernen Sie sämtliches Verpackungsmaterial vor der Montage.
4. Bewahren Sie den Kamin bis zur Montage an einem sicheren, trockenen und staubfreien Ort auf.

## Kaminmontage

Der Kamin wird mit einem vorinstallierten Stecker zur steckerfähigen Nutzung geliefert. Der Kamin kann auch fest verdrahtet werden, indem der Stecker vom im Werk installierten Kabel entfernt und die Verkabelung gemäß den staatlichen und örtlichen Vorschriften für Elektrik vorgenommen wird.

**⚠ ACHTUNG:** Versuchen Sie nicht, neue Steckdosen oder Stromkreise selbst zu installieren. Um die Gefahr von Bränden, Stromschlägen oder Verletzungen zu verringern, ziehen Sie immer einen qualifizierten Elektroinstallateur heran.

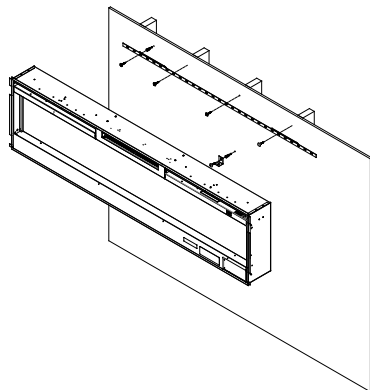
**⚠ ACHTUNG:** Stellen Sie sicher, dass sich der 3-Positions-Schalter in der Position Aus („O“) befindet und der Stromkreis, an den der Kamin angeschlossen werden soll, bis zur Fertigstellung der Montage durch Ausschalten der Hauptsicherung im Schaltschrank von der Spannungsversorgung getrennt ist.

### Aufputzmontage

**⚠ VORSICHT:** Für verschiedene Schritte dieses Verfahrens sind zwei Personen erforderlich.

1. Wählen Sie zur Montage des Geräts einen Ort aus, an dem die Wandbefestigungshalterung an 3 Montagehölzern angebracht werden kann.

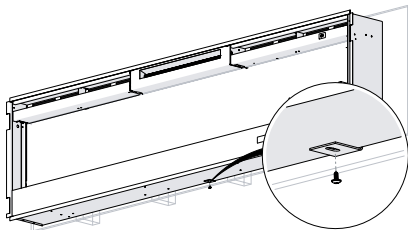
**Abb. 2**



**! HINWEIS:** Es wird empfohlen, die Befestigungshalterung 142 cm 56 in vom Boden zu installieren, um so einen optimalen Sichtwinkel für die Flammen sicherzustellen.

2. Halten Sie die Wandbefestigungshalterung so gegen die Wand, dass die Blase in der oben aufliegenden Wasserwaage mittig zwischen den beiden schwarzen Linien liegt.
3. Markieren Sie die Position der 4 Montageschrauben an der Wand und stellen Sie dabei sicher, dass die Wandhalterung korrekt ausgerichtet bleibt. (Abb. 3)
4. Falls das Gerät an einer Trockenbauwand installiert wird, müssen Sie vor Einbau der Schrauben die mitgelieferten Wandanker einsetzen (bei Bedarf Löcher vorbohren).

Abb. 3



5. Sichern Sie die Wandhalterung. Schrauben Sie dazu die mitgelieferten  $\frac{1}{2}$  (3,8 cm) Montageschrauben mit den Unterlegscheiben und/oder die Wandanker in die Wand.
6. Installieren Sie die untere Tragkonsole mithilfe der entsprechenden Befestigungselemente 350 mm  $13\frac{3}{4}$  unter der Wandbefestigungshalterung mittig zu dieser an der Wand. (Abb. 2)
7. Entfernen Sie die mittlere Schraube unten vom Kamin. (Abb. 3)
8. Hängen Sie den Kamin an der Halterung auf.
9. Setzen Sie die ausgebaute Schraube durch die untere Tragkonsole in den Kamin ein.
10. Für den abschließenden Einbau lesen Sie den Abschnitt „Einbau der vorderen Glasscheibe“.

## Unterputzmontage – 100 mm tief

**⚠ VORSICHT:** Für verschiedene Schritte dieses Verfahrens könnten zwei Personen erforderlich sein.

1. Bereiten Sie eine Wandöffnung mit 185,7 cm Breite x 42 cm Höhe vor (Abb. 4).

**! HINWEIS:** Die Bemessung hat eine Toleranz von 6,4 mm um den Kamin, um den Einbau zu erleichtern. Dieser Kamin benötigt keine zusätzliche Belüftung.

2. Wählen Sie den für das Gerät zu verwendenden Stromanschluss aus:

- Steckerfähig (Sie können das Netzkabel aus der umrahmten Wandöffnung zu einer bereits vorhandenen Steckdose verlaufen lassen oder eine Steckdose an einem nahegelegenen Montageholz in der Wand installieren).
- Feste Verdrahtung des Kamins.

**! HINWEIS:** Der Kamin kann fest verdrahtet werden, indem der Stecker vom im Werk installierten Kabel entfernt und die Verkabelung gemäß den staatlichen und örtlichen Vorschriften für Elektrik vorgenommen wird.

**⚠ ACHTUNG:** Versuchen Sie nicht,

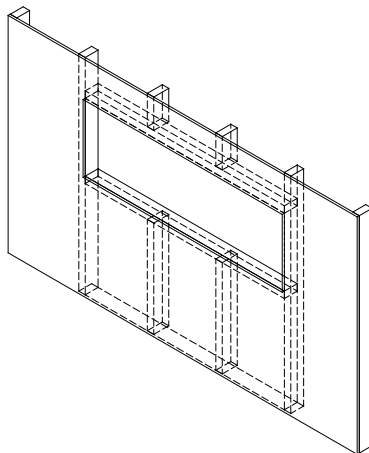
## Kaminmontage

neue Steckdosen oder Stromkreise selbst zu installieren. Um die Gefahr von Bränden, Stromschlägen oder Verletzungen zu verringern, ziehen Sie immer einen qualifizierten Elektroinstallateur heran.

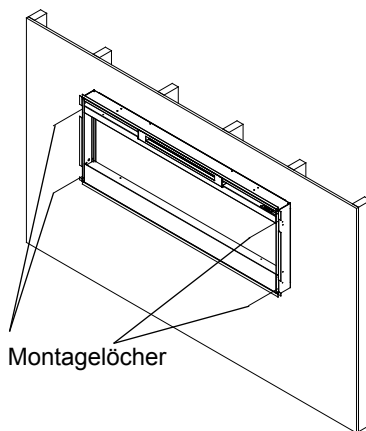
Stellen Sie sicher, dass sich der 3-Positions-Schalter in der Position Aus („O“) befindet und der Stromkreis, an den der Kamin angeschlossen werden soll, bis zur Fertigstellung der Montage durch Ausschalten der Hauptsicherung im Schaltschrank von der Spannungsversorgung getrennt ist.

3. Heben Sie den Kamin an und setzen Sie ihn in die Öffnung ein (Abb. 5).
4. Verwenden Sie die Wasserwaage (im Lieferumfang enthalten), um den Kamin in der Umrahmung auszurichten. Nehmen Sie je nach Bedarf Justierungen vor.
5. Schrauben Sie vier (4) mitgelieferte Montageschrauben durch die vier (4) Montagelöcher, die sich jeweils in den Ecken des Kamingehäuses befinden, in die Montagehölzer (Abb. 6).
6. Für den abschließenden Einbau lesen Sie den Abschnitt „Einbau der vorderen Glasscheibe“.

**Abb. 4**

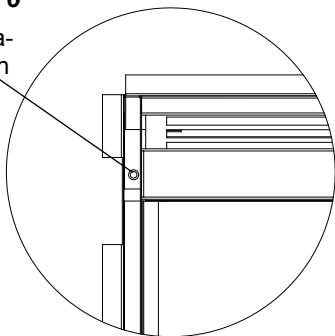


**Abb. 5**



**Abb. 6**

Monta-  
geloeh



## Bündig abgeschlossene Montage – 200 mm tief

**⚠ VORSICHT:** Für verschiedene Schritte dieses Verfahrens könnten zwei Personen erforderlich sein.

1. Bereiten Sie eine Wandöffnung mit 185,7 cm Breite x 47 cm Höhe vor (Abb. 7).

**! HINWEIS:** Die Bemessung hat eine Toleranz von 6,4 mm um den Kamin, um den Einbau zu erleichtern. Dieser Kamin benötigt keine zusätzliche Belüftung.

2. Wählen Sie den für das Gerät zu verwendenden Stromanschluss aus:
  - Steckerfähig (Sie können das Netzkabel aus der umrahmten Wandöffnung zu einer bereits vorhandenen Steckdose verlaufen lassen oder eine Steckdose an einem

nahegelegenen Montageholz in der Wand installieren).

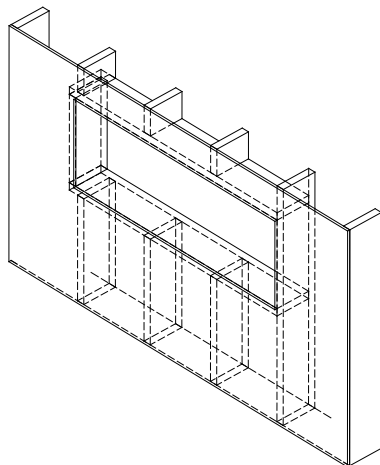
- Feste Verdrahtung des Kamins.

**! HINWEIS:** Der Kamin kann fest verdrahtet werden, indem der Stecker vom im Werk installierten Kabel entfernt und die Verkabelung gemäß den staatlichen und örtlichen Vorschriften für Elektrik vorgenommen wird.

**⚠ ACHTUNG:** Versuchen Sie nicht, neue Steckdosen oder Stromkreise selbst zu installieren. Um die Gefahr von Bränden, Stromschlägen oder Verletzungen zu verringern, ziehen Sie immer einen qualifizierten Elektroinstallateur heran.

Stellen Sie sicher, dass sich der 3-Positions-Schalter in der Position

**Abb. 7**





## Kaminmontage

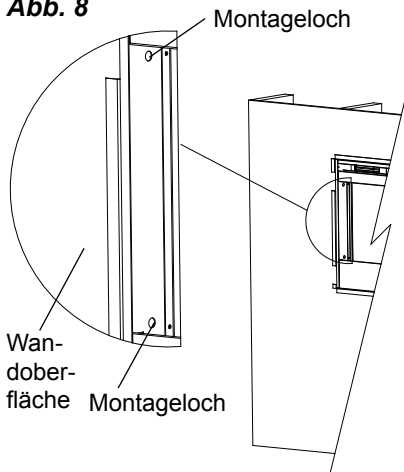
Aus („O“) befindet und der Stromkreis, an den der Kamin angeschlossen werden soll, bis zur Fertigstellung der Montage durch Ausschalten der Hauptsicherung im Schaltschrank von der Spannungsversorgung getrennt ist.

3. Heben Sie den Kamin an und setzen Sie ihn in die Öffnung ein. Der Montagerahmen des Kamins sollte mit der Wand bündig sein (Abb. 8).
4. Verwenden Sie die Wasserwaage (im Lieferumfang enthalten), um den Kamin in der Umrahmung auszurichten. Nehmen Sie je nach Bedarf Justierungen vor.
5. Schrauben Sie die vier (4) mitgelieferten Montageschrauben durch die vier (4) Montagelöcher, die sich an der Innenfläche des Kamingehäuses befinden, in die Montagehölzer (Abb. 8).
6. Für den abschließenden Einbau lesen Sie den Abschnitt „Einbau der vorderen Glasscheibe“.

### Einbau der vorderen Glasscheibe

1. Verteilen Sie die mitgelieferten Glassteine gleichmäßig auf der vorderen Ablage des Kamins (Abb. 9).
2. Montieren Sie den vorderen Glasaufbau vorsichtig so, dass die Haken (4) der vorderen Glasscheibe auf den

**Abb. 8**

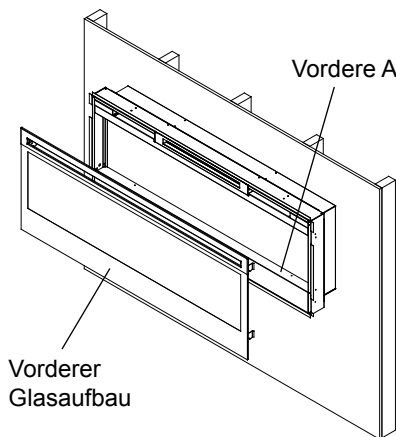


Glashalterungen (4) am Kamin hängen (Abb. 10).

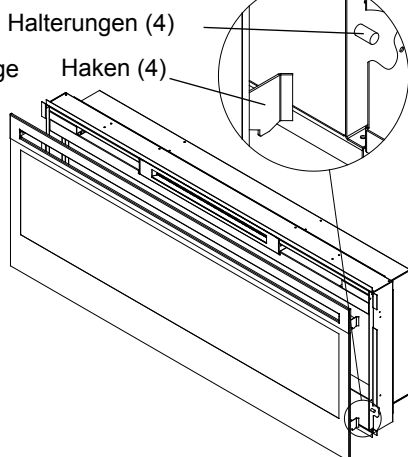
3. Verwenden Sie die mitgelieferten zwei (2) Kreuzschlitzblechschrauben, um die Aufhänger des Glasaufbaus am Kamin zu befestigen (Abb. 11).
4. Stellen Sie sicher, dass sich der 3-Positions-Schalter des Kamins in Stellung Aus („O“) befindet.
5. Falls das Gerät nicht fest verdrahtet ist, schließen Sie den Kamin mithilfe des Steckers an eine 10 Amp, 230–240 Volt Steckdose an (siehe HINWEIS 1).

# Kaminmontage

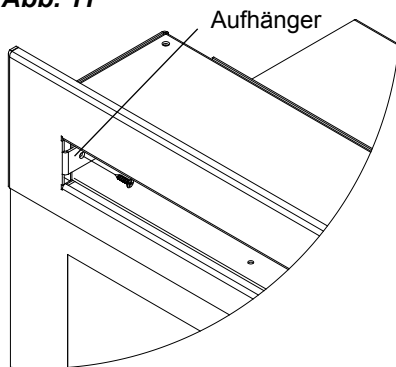
**Abb. 9**



**Abb. 10**

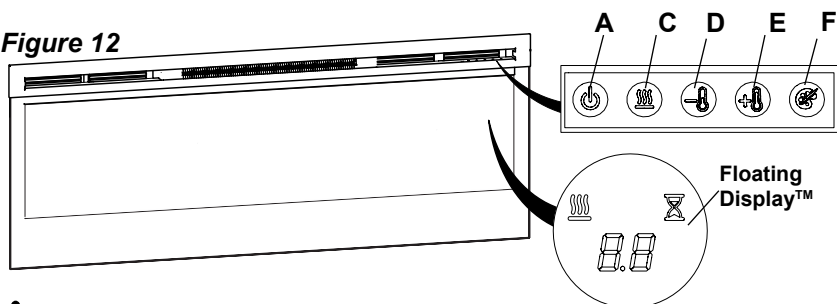


**Abb. 11**



## ☛ Operation

Figure 12



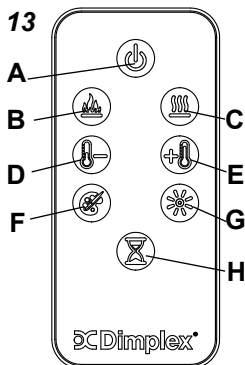
**⚠️ WARNUNG:** Das elektrische Kaminfeuer muss ordnungsmäßig installiert werden, bevor es verwendet wird.

Das Gerät kann entweder über die Steuerung oben rechts am Kamin oder die Fernbedienung gesteuert werden (Abb. 12 & 13).

Der Kamin wird mit einer multifunktionalen IR-Fernbedienung geliefert.

**! HINWEIS:** Damit die Fernbedienung korrekt funktioniert, muss sie in die

Figure 13



Richtung des Floating Display™ zeigen.

### A. Standby

Schaltet das Gerät Ein und Aus.


→ Aktivierung durch Drücken der Standby-Taste auf der Fernbedienung oder am Gerät.

- Das Gerät schaltet sich mit denselben Einstellungen ein, die eingestellt waren, als es ausgeschaltet wurde, und die Ansaugtemperatur wird auf der Bildschirmanzeige angezeigt.

**! HINWEIS:** Sobald Sie auf irgendeine Taste drücken, erscheint die Ansaugtemperatur 5 Sekunden lang auf der Bildschirmanzeige.

### B. Flammeneffekte


Schaltet den Flammeneffekt Ein und Aus.


→ Aktivierung durch Drücken der -Taste auf der Fernbedienung.

## Operation


### C. Wärme EIN/AUS

Das Gerät kann auf 3 Stufen eingestellt werden: Niedrige Wärme, Hohe Wärme und Aus.

→ Aktivierung durch Drücken der -Taste auf dem Gerät oder der Fernbedienung.

- Wird durch das -Symbol und die Ansaugtemperatur angegeben, die auf der Bildschirmanzeige 5 Sekunden lang vor dem Abschalten angezeigt wird.



**! HINWEIS:** Nachdem die Heizung ausgeschaltet wurde, läuft der Lüfter noch 60 Sekunden nach und schaltet dann ab.



**! HINWEIS:** Das Gerät kann auch **Nur im Heizmodus** betrieben werden. Wenn nur die Heizung des Geräts verwendet wird, wird das -Symbol konstant auf der Bildschirmanzeige angezeigt.

**! HINWEIS:** Die Heizung kann einen leichten, harmlosen Geruch verströmen, wenn sie zum ersten Mal verwendet wird. Dieser Geruch entsteht durch das erste Aufheizen des internen Heizelements und tritt nachher nicht mehr auf.

### D & E. Thermostatregler



Damit stellen Sie die Temperatur auf den individuellen Bedarf ein. Sobald die gewünschte Temperatur erreicht wird, schaltet sich die Heizung aus. Die Heizung schaltet sich immer wieder ein, um die gewünschte Temperatur, die eingestellt wurde, zu erhalten. Die Standardtemperatur ist auf 22° C (72° F) eingestellt.

- Drücken Sie auf , um die Temperatur zu verringern und auf , um die Temperatur über das Gerät oder die Fernbedienung zu erhöhen.
- Die Bildschirmanzeige zeigt die Temperatur bei der Anpassung an.

**! HINWEIS:** Wenn Sie die - und -Tasten am Gerät zwei Sekunden lang gedrückt halten, ändert sich die Temperaturanzeige von °C zu °F oder umgekehrt.



### Heizung deaktivieren

Auf Wunsch und je nach Saison kann die Heizung am Gerät deaktiviert werden. Das Gerät funktioniert auf dieselbe Weise mit den entsprechenden Steuerungstasten.

Indem Sie die - und -Tasten am Gerät gleichzeitig 2 Se-

## Operation

kunden gedrückt halten, wird die Heizung deaktiviert und aktiviert.

**! HINWEIS:** Wenn die Heizung deaktiviert wird und entweder die - oder die -Taste gedrückt werden, zeigt die Bildschirmanzeige „-“ an.


### **F. Farbeinstellungen**

Das Gerät enthält verschiedene voreingestellte Umgebungsfarbkombinationen.

→ Aktivierung durch wiederholtes Drücken der entsprechenden Taste auf der Fernbedienung oder am Gerät.

- Ändert stufenweise die verschiedenen voreingestellten Umgebungslicteinstellungen des Gerätes, darunter verschiedene Farbkombinationen der Flammen und der Anzeige.

**! HINWEIS:** Die letzte Auswahl ist ein Prisma, bei dem das Gerät verschiedene Farben anzeigt.

Durch Drücken der -Taste wird der Farbwechsel angehalten und das Gerät behält die bevorzugte Farbe bei, die durch ein „U“ – Unfixieren oder ein „F“ – Fixieren auf der Anzeige angegeben wird.

### **G. Helligkeit**

Ändert die Helligkeit der Gerätebeleuchtung.


→ Aktivierung durch wiederholtes Drücken der entsprechenden Taste auf der Fernbedienung.


- Wird durch den zweiten Buchstaben am Floating Display™ angezeigt: „H“ (hoch), und „L“ (niedrig).

### **H. Einschlafautomatik**

Die Einschlafautomatik kann so eingestellt werden, dass sich das Kaminfeuer automatisch zu einer voreingestellten Zeit (von 30 Minuten bis zu 8 Stunden) abschaltet.

→ Um den Timer einzustellen, drücken Sie wiederholt auf die Timer-Taste auf der Fernbedienung oder am Gerät, bis die gewünschte Zeit angezeigt wird.

- Beim Einstellen zeigt die Bildschirmanzeige die verschiedenen Zeiten an. Sobald der Timer eingeschaltet wurde, können Sie durch Drücken der -Taste die verbleibende Zeit anzeigen, bevor das Gerät abschaltet.

**! HINWEIS:** Die Einschlafautomatik kann jederzeit durch wiederholtes Drücken der -Taste abgeschaltet werden und die Einschlafautomatik nichts mehr anzeigen.

## Operation

### Temperaturabschaltung neu einstellen

Wenn die Heizung überhitzt, wird die Heizung automatisch abgeschaltet und schaltet sich nicht wieder ein, bevor sie neu eingestellt wird. Sie kann neu eingestellt werden, indem Sie den Netzstecker des Geräts aus der Steckdose ziehen und 5 Minuten warten, bevor Sie das Gerät wieder anstecken.

**⚠ VORSICHT:** Wenn Sie die Heizung wiederholt neu einstellen müssen, ziehen Sie den Netzstecker des Geräts aus der Steckdose und rufen Sie den technischen Support unter 1-888-346-7539 an.

### Austausch der Batterie der Fernbedienung

Um die Batterie auszutauschen:

1. Öffnen Sie die Abdeckung auf der Fernbedienung.
2. Ersetzen Sie die Batterie im Batteriefach durch eine 3 Volt CR2032 (mit langer Lebensdauer) oder CR2025.
3. Schließen Sie die Batterieabdeckung.

Die Batterie muss recycelt oder korrekt entsorgt wer-

den. Erkundigen Sie sich bei Ihrer örtlichen Behörde oder Ihrem Händler nach Recycling-Möglichkeiten an Ihrem Wohnort





## Wartung

**⚠ ACHTUNG:** Vor Ausführung aller Wartungs- oder Reinigungsarbeiten die Einheit vom Netzstrom trennen, um Brände, Elektroschock oder Verletzungen zu verhindern.

### Reinigung des teilweise reflektierenden Glases

Das teilweise reflektierende Glas wird im Werk während des Zusammenbaus gereinigt. Während des Transports, der Montage und der Handhabung usw. können sich am teilweise reflektierenden Glas Staubpartikel ansammeln. Diese können durch leichtes Wischen mit einem sauberen, trockenen Tuch entfernt werden.

Um Fingerabdrücke oder andere Flecken vom teilweise reflektierenden Glas zu entfernen, reinigen Sie dieses mit einem

feuchten Tuch. Das teilweise reflektierende Glas sollte mit einem fusselfreien Tuch komplett getrocknet werden, um Wasserflecken zu vermeiden. Zur Vermeidung von Kratzern keine Scheuermittel verwenden.

### Reinigung der Kaminoberfläche

Verwenden Sie zur Reinigung der lackierten Oberflächen des Kamins nur ein feuchtes Tuch. Verwenden Sie keine Scheuermittel.

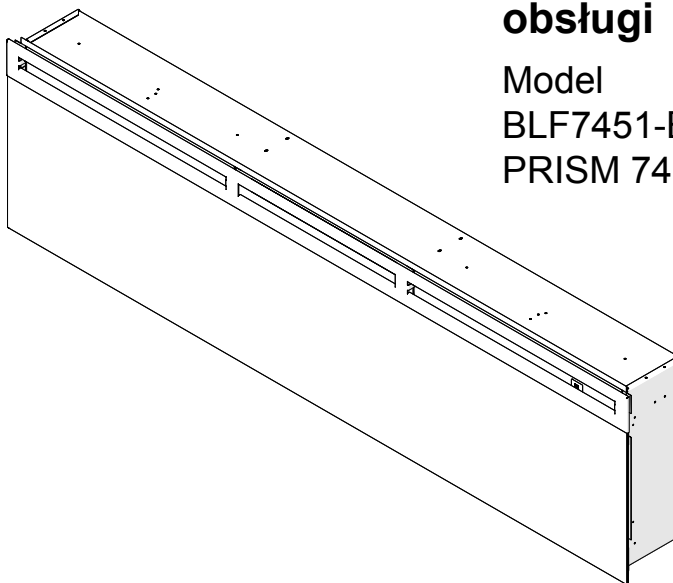
### Wartung

Mit Ausnahme der Montage und der in diesem Handbuch beschriebenen Reinigung sollte ein zugelassener Kundendienstvertreter jegliche andere Wartungsarbeiten ausführen.

Better solutions through innovation

## Instrukcja obsługi

Model  
BLF7451-EU  
PRISM 74"



EN

FR

ES

IT

DE

**PL**

RU

NO







NL

**WAŻNE INFORMACJE DOTYCZĄCE BEZPIECZEŃSTWA:** Pierwszy przed przystąpieniem do instalacji lub pierwszym korzystaniem z tego kominka należy zawsze przeczytać niniejszą instrukcję. Dla własnego bezpieczeństwa należy zawsze przestrzegać wszystkich ostrzeżeń i instrukcji bezpieczeństwa zawartych w niniejszej instrukcji, aby uniknąć obrażeń ciała lub uszkodzenia mienia.





## Spis treści

	Witamy i gratulujemy . . . . .	3
	<b>WAŻNE INSTRUKCJE DOTYCZĄCE BEZPIECZEŃSTWA</b> . . . . .	4
	Skrócona instrukcja obsługi . . . . .	7
	Instalacja kominka . . . . .	8
	Wybór lokalizacji . . . . .	8
	Instalacja powierzchniowa . . . . .	9
	Instalacja wpuszczona w ścianę – głębokość 100 mm . .	10
	Montaż licujący z otaczającą powierzchnią - głębokość 200 mm . . . . .	11
	Instalacja szyby przedniej . . . . .	13
	Obsługa . . . . .	15
	Konserwacja . . . . .	19

Do naprawy kominka należy zawsze korzystać z usług wykwalifikowanego technika lub firmy serwisowej.

**! UWAGA:** Procedury i metody wystarczająco dostatecznie ważne, by podkreślić ich znaczenie.

**⚠ UWAGA:** Procedury i metody, których niestosowanie może prowadzić do uszkodzenia urządzenia.

**⚠ OSTRZEŻENIE:** Procedury i metody, których niestosowanie może spowodować zagrożenie pożarem, poważne urazy lub utratę życia.

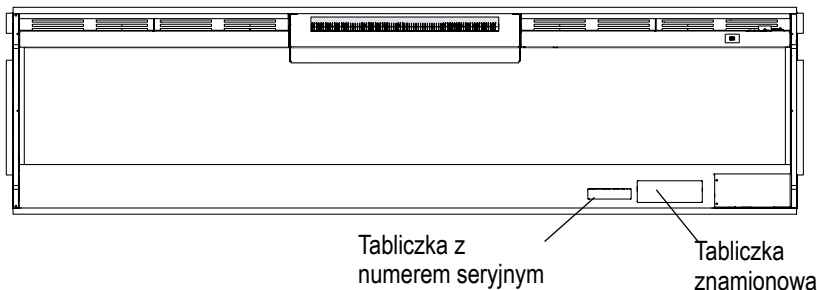
## Witamy i gratulujemy

Dziękujemy za zakup kominka elektrycznego firmy Dimplex, światowego lidera w kominkach elektrycznych, i gratulujemy dobrego wyboru.

**Proszę dokładnie zapoznać się z instrukcją i zachować ją na przyszłość.**

**⚠ UWAGA:** Należy przeczytać uważnie całą instrukcję przed rozpoczęciem instalacji. Niestosowanie się do instrukcji może spowodować porażenie prądem, wywołać pożar oraz unieważnienie gwarancji.

Proszę zapisać model i numery seryjne urządzenia na wypadek potrzeby ich późniejszego użycia: model i numery seryjne można znaleźć na tabliczce z modelem i numerem seryjnym kominka.





## WAŻNE INSTRUKCJE DOTYCZĄCE BEZPIECZEŃSTWA

**Przed użyciem urządzenia należy przeczytać całą instrukcję.**

Podczas użytkowania urządzeń elektrycznych należy zawsze postępować zgodnie z wymienionymi poniżej podstawowymi zasadami bezpieczeństwa, aby uniknąć ryzyka pożaru, porażenia prądem elektrycznym lub powstania obrażeń ciała:

1. Jeśli urządzenie jest uszkodzone, przed przystąpieniem do jego instalacji i eksploatacji należy skontaktować się z dostawcą.
2. Nie należy używać urządzenia na wolnym powietrzu.
3. Tego wolno używać urządzenia w bezpośrednim sąsiedztwie wanny, prysznicza ani basenu.
4. Nie wolno ustawiać urządzenia bezpośrednio pod zamontowanym na stałe gniazdkiem elektrycznym ani skrzynką rozdzielczą.
5. Urządzenie mogą obsługiwać dzieci po ukończeniu ósmego roku życia oraz osoby o ograniczonych zdolnościach fizycznych, sensorycznych lub umysłowych, a także nieposiadające odpowiedniej wiedzy lub doświadczenia, o ile będą one nadzorowane lub zostaną poinstruowane w zakresie bezpiecznego korzystania z urządzenia oraz będą świadome związanych z tym zagrożeń. Dzieci nie mogą bawić się urządzeniem. Dzieci bez nadzoru nie mogą zajmować się czyszczeniem ani konserwacją urządzenia.
6. Dzieci w wieku poniżej 3 lat powinny przebywać z dala od urządzenia, jeśli nie znajdują się pod stałym nadzorem. Dzieci w wieku od 3 do 8 lat mogą tylko włączać lub wyłączać prawidłowo zainstalowane urządzenie, jeśli znajdują się pod



## WAŻNE INSTRUKCJE DOTYCZĄCE BEZPIECZEŃSTWA

opieką lub zostaną poinstruowane w zakresie bezpiecznego korzystania z urządzenia oraz będą świadome związanych z tym zagrożeń. Dzieci w wieku od 3 do 8 lat nie mogą podłączać, regulować ani czyścić urządzenia, jak również wykonywać żadnych czynności konserwacyjnych.

7. Nie wolno używać urządzenia z szeregowo podłączonym regulatorem temperatury, regulatorem programowym, wyłącznikiem czasowym ani żadnym innym urządzeniem automatycznie włączającym grzanie, ponieważ przypadkowe przykrycie urządzenia lub przesunięcie go będzie wiązać się z zagrożeniem pożarowym.
8. Urządzenie nie jest wyposażone w układ służący do kontrolowania temperatury w pomieszczeniu. Nie należy używać urządzenia w małych pomieszczeniach, gdy znajdują się w nich osoby niezdolne do ich samodzielnego opuszczenia, chyba że są one pod stałą opieką innej osoby.
9. Należy upewnić się, że meble, zasłony oraz wszelkie inne łatwopalne przedmioty znajdują się w odległości co najmniej 1 metra od urządzenia.
10. W przypadku awarii należy wyciągnąć z gniazdka wtyczkę przewodu zasilającego.
11. Jeżeli urządzenie nie jest używane przez dłuższy czas, należy wyciągnąć z gniazdka wtyczkę przewodu zasilającego.
12. Urządzenie spełnia odpowiednie standardy bezpieczeństwa, nie zaleca się jednak stawiania go na dywanach lub wykładzinach o długim włosiu.
13. Urządzenie należy ustawić w taki sposób, aby zapewnić



## WAŻNE INSTRUKCJE DOTYCZĄCE BEZPIECZEŃSTWA

łatwy dostęp do wtyczki przewodu zasilającego.

14. W przypadku uszkodzenia przewodu zasilającego ze względów bezpieczeństwa musi on zostać wymieniony przez producenta, serwisanta lub osobę o podobnych kwalifikacjach.
15. Przewód zasilający należy poprowadzić z dala od urządzenia.

**⚠ OSTRZEŻENIE:** Aby uniknięcia przegrzania, nie wolno przykrywać urządzenia. Nie wolno umieszczać na urządzeniu tkanin ani odzieży, ani utrudniać przepływu powietrza wokół urządzenia (np. zasłaniając je zasłonami lub meblami), ponieważ można w ten sposób doprowadzić do przegrzania urządzenia i zagrożenia pożarem.

**⚠ OSTRZEŻENIE:** Aby uniknąć niebezpieczeństwa związanego z przypadkowym wyzerowaniem termowyłącznika, urządzenia nie można zasilać z wykorzystaniem zewnętrznego urządzenia przełączającego, takiego jak wyłącznik czasowy (timer), ani nie można podłączać go do obwodu zasilania, który jest regularnie włączany i wyłączany przez dostawcę energii.

**⚠ UWAGA:** Niektóre części tego produktu mogą mocno się nagrzewać i mogą spowodować oparzenia ciała. Należy zwrócić na to szczególną uwagę w obszarach, w których znajdują się dzieci lub inne osoby nieświadome zagrożenia.

Grzejnik posiada symbol ostrzegawczy 

informujący, że nie wolno go przykrywać

# ZACHOWAJ TE INSTRUKCJE



## Skrócona instrukcja obsługi

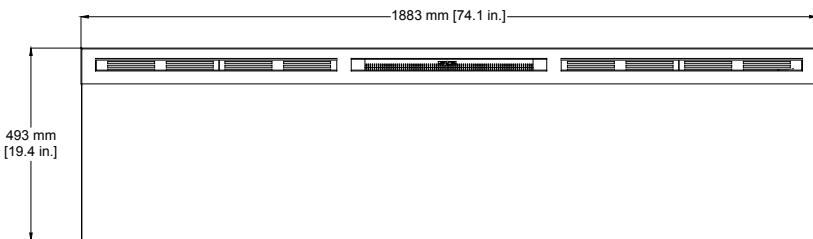
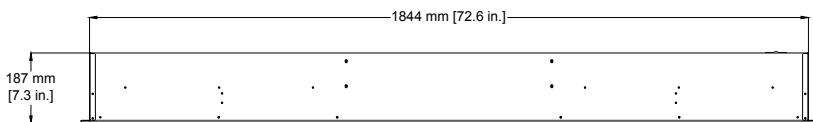
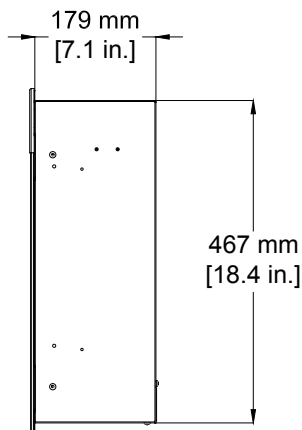
- ① Dane elektryczne kominka znajdują się na tabliczce znamionowej umieszczonej z przodu urządzenia, za szybą.

Przed instalacją należy zapisać numer seryjny kominka i zachować go na przyszłość.

- ② W razie pytań lub wątpliwości dotyczących funkcjonowania kominka elektrycznego lub konieczności skorzystania z serwisu, należy skontaktować się z obsługą klienta.

- ③ Wymiary kominka podane są na rysunku 1.

(Ilustracja 1).



## Instalacja kominka

### Wybór lokalizacji

Należy rozważyć wszystkie z poniższych warunków instalacji:

- Wymiary urządzenia: 188,3 cm x 49,5 cm
- Jednostka wymaga zastosowania co najmniej trzech słupków ściennych w celu zapewnienia bezpiecznej instalacji

Trzy możliwe metody instalacji:

- Metoda instalacji: Montaż powierzchniowy; wpuszczony w ścianę; lub licujący z otaczającą powierzchnią
- Metoda podłączenia stałego lub za pomocą wtyczki

**⚠ OSTRZEŻENIE:** Należy upewnić się, że przewód zasilający nie jest naciągnięty na ostrej krawędzi oraz że jest przechowywany lub zabezpieczony, aby uniknąć potknięcia lub zaczepienia o niego oraz ograniczyć ryzyko pożaru, porażenia prądem lub obrażeń osób.

Aby ograniczyć ryzyko pożaru, porażenia prądem i obrażeń osób, budowa i okablowanie gniazdka elektrycznego musi być zgodne z lokalnymi przepisami budowlanymi oraz innymi obowiązującymi przepisami.

1. Należy wybrać lokalizację, która nie jest podatna na działanie wilgoci i znajduje się z dala od zasłon, mebli oraz dużego natężenia ruchu.
2. W celu ułatwienia podłączenia elektrycznego kominek można ustawić w pobliżu istniejącego gniazdka elektrycznego. (dla wygody podłączenia).

**! UWAGA 1:** Wymagane jest źródło prądu o natężeniu 13 Amp i napięciu 230-240 V. Preferowany jest dedykowany obwód, ale nie jest to konieczne we wszystkich przypadkach. Dedykowany obwód jest wymagany, jeżeli po instalacji bezpiecznik lub automatyczny wyłącznik przepala się w regularnych odstępach czasu, gdy grzejnik pracuje. Dodatkowe urządzenia podpięte do tego samego obwodu mogą spowodować przekroczenie wartości znamionowej wyłącznika.

3. Przed instalacją należy wyjąć z pudełka kominek, przednią szybę oraz wyposażenie kominka, a następnie usunąć wszystkie materiały opakowaniowe.
4. Przed zainstalowaniem kominek należy przechowywać w bezpiecznym, suchym i



## Instalacja kominka

wolnym od kurzu miejscu.

Kominek jest pakowany z zainstalowaną wtyczką trójbolcową. Stałe podłączenie jest również jedną z opcji. Można je wykonać, usuwając fabrycznie zamontowaną wtyczkę i wykonując podłączenie kabli zgodnie z krajowymi i lokalnymi przepisami elektrycznymi.

**⚠ OSTRZEŻENIE:** Nie wolno samemu podłączać nowych gniazdek ani obwodów elektrycznych. Aby zmniejszyć ryzyko pożaru, porażenia prądem lub uszkodzenia ciała, należy zawsze korzystać z usług licencjonowanego elektryka.

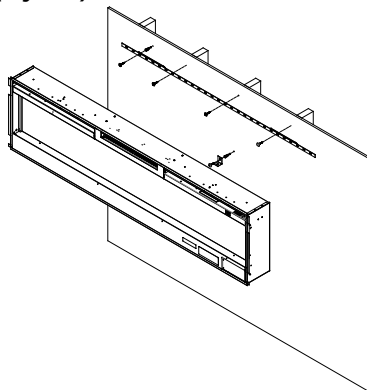
**⚠ OSTRZEŻENIE:** Należy upewnić się, że przełącznik 3-pozycyjny jest ustawiony w pozycji OFF ("O") oraz że obwód, w którym ma być zainstalowany kominek, ma odłączone zasilanie na panelu serwisowym, dopóki instalacja nie zostanie zakończona.

### Instalacja powierzchniowa

**⚠ UWAGA:** Do różnych etapów tej procedury będą wymagane dwie osoby.

1. Należy ustalić miejsce montażu urządzenia tak, aby wspornik montażowy mógł być zainstalowany na 3 słupkach ściennych.

(Rys. 2).



**! UWAGA:** Zalecane jest, aby wspornik montażowy był zainstalowany 56 cali (142 cm) nad ziemią, w celu zachowania optymalnego kąta widzenia płomienia.

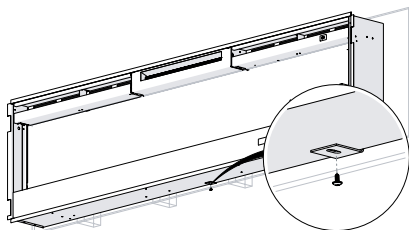
2. Wspornik montażowy należy trzymać na ścianie, z poziomnicą umieszczoną na jego górze, w taki sposób, aby pęcherzyk powietrza w poziomnicy znajdował się między dwoma czarnymi liniami.
3. Oznaczyć miejsca 4 śrub montażowych na ścianie, upewniając się, że wspornik montażowy pozostaje w pozycji poziomej. (Rys. 3)
4. W miejscach, w których śruby są wkręcane tylko w





## Instalacja kominka

(Rys. 3).



plyty kartonowo-gipsowe, do ich wkręcenia należy użyć dostarczonych kołków (w razie potrzeby należy wywiercić otwory na kołki).

- Przymocować wspornik do ściany, wkręcając dostarczone śruby mocujące  $1\frac{1}{2}$  o średnicy cala (3,8 cm) i podkładki w ścianę i/lub kołki.
- Zamontować dolny wspornik na ścianie, umieszczony po środku ze wspornikiem montażowym, za pomocą odpowiedniego sprzętu montażowego,  $13\frac{3}{4}$  cali (350 mm) poniżej wspornika montażowego. (Rys. 2)
- Wyjąć środkową śrubę od spodu kominka. (Rys. 3)
- Powiesić kominek na wsporniku.
- Przykręcić wyjętą śrubę do kominka przez dolny wspornik.
- Zobacz instrukcję instalacji przedniej szyby w procedurze

końcowej instalacji.

### Instalacja wpuszczona w ścianę – głębokość 100 mm

**⚠ UWAGA:** Do różnych etapów tej procedury mogą być wymagane dwie osoby.

- Należy przygotować otwór z obramowaniem o wymiarach 185,7 cm szerokości na 42 cm wysokości (Rys. 4).

**! UWAGA:** Podane wymiary zapewniają odstęp o szerokości 6,4 mm wokół wkładu kominkowego w celu ułatwienia instalacji. Kominek nie wymaga żadnego dodatkowego odpowietrzenia.

- Należy wybrać metodę dostarczania zasilania do urządzenia:

- Wtyczka (można poprowadzić przewód zasilający z otworu w ścianie do istniejącego gniazdka elektrycznego lub zainstalować gniazdko na pobliskim słupku w ścianie).
- Stałe podłączenie kominka.

**! UWAGA:** Stałe podłączenie można wykonać usuwając fabrycznie zamontowaną wtyczkę i wykonując podłączenie kabli zgodnie z krajowymi i lokalnymi przepisami elektrycznymi.

**⚠ OSTRZEŻENIE:** Nie wolno



## Instalacja kominka

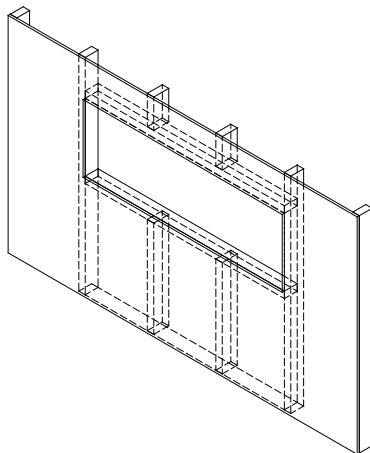
samemu podłączać nowych gniazdek ani obwodów elektrycznych. Aby zmniejszyć ryzyko pożaru, porażenia prądem lub uszkodzenia ciała, należy zawsze korzystać z usług licencjonowanego elektryka.

Należy upewnić się, że przełącznik 3-pozycyjny jest ustawiony w pozycji OFF ("O") oraz że obwód, w którym ma być zainstalowany kominek, ma odłączone zasilanie na panelu serwisowym, dopóki instalacja nie zostanie zakończona.

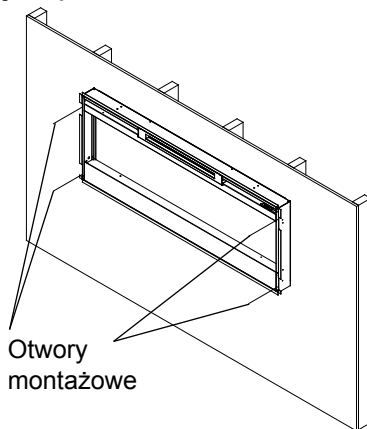
3. Podnieść kominek i wsunąć w otwór (Rys. 5).
4. Wykorzystać poziomnicę (w zestawie) do wypoziomowania kominka w obramowaniu. Wyregulować zgodnie z wymaganiami.
5. Włożyć dostarczone cztery śruby (4) mocujące w cztery otwory (4) montażowe znajdujące się w każdym z rogów budowy kominka i przykręcić do słupków ściennych (Rys. 6).
6. Zobacz instrukcję instalacji przedniej szyby w procedurze końcowej instalacji.

### Montaż licującej z otaczającą powierzchnią -

(Rys. 4).



(Rys. 5).

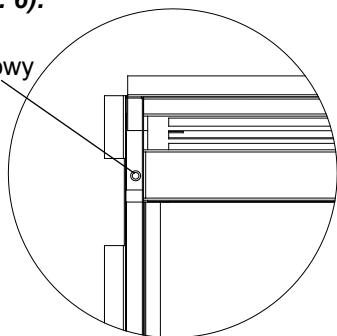




## Instalacja kominka

(Rys. 6).

Otwór  
montażowy



### głębokość 200 mm

**! UWAGA:** Do różnych etapów tej procedury mogą być wymagane dwie osoby.

1. Należy przygotować otwór z obramowaniem o wymiarach 185,7 cm szerokości na 47 cm wysokości (Rys. 7).

**! UWAGA:** Podane wymiary zapewniają odstęp o szerokości 6,4 mm wokół wkładu kominkowego w celu ułatwienia instalacji. Kominek nie wymaga żadnego dodatkowego odpowietrzenia.

2. Należy wybrać metodę dostarczania zasilania do urządzenia:
  - Wtyczka (można poprowadzić przewód zasilający z otworu w ścianie do istniejącego gniazdka elektrycznego lub zainstalować gniazdko na pobliskim słupku w ścianie).

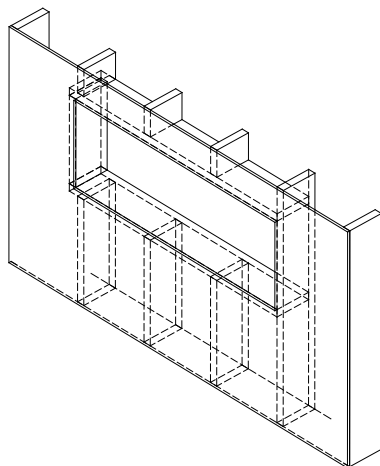
- Stałe podłączenie kominka.

**! UWAGA:** Stałe podłączenie można wykonać usuwając fabrycznie zamontowaną wtyczkę i wykonując podłączenie kabli zgodnie z krajowymi i lokalnymi przepisami elektrycznymi.

**! OSTRZEŻENIE:** Nie wolno samemu podłączać nowych gniazdek ani obwodów elektrycznych. Aby zmniejszyć ryzyko pożaru, porażenia prądem lub uszkodzenia ciała, należy zawsze korzystać z usług licencjonowanego elektryka.

Należy upewnić się, że przełącznik 3-pozycyjny jest ustawiony w pozycji OFF ("O") oraz że obwód, w którym ma być zainstalowany kominek ,

(Rys. 7).





## Instalacja kominka

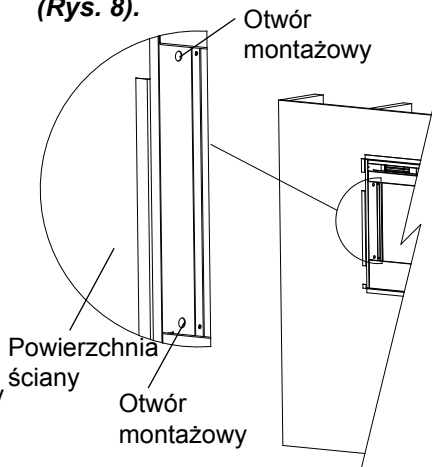
ma odłączone zasilanie na panelu serwisowym, dopóki instalacja nie zostanie zakończona.

3. Podnieść kominek i wsunąć w otwór. Obramowanie montażowe kominka powinno być równej linii ze ścianą (Rys. 8).
4. Wykorzystać poziomnicę (w zestawie) do wypoziomowania kominka w obramowaniu. Wyregulować zgodnie z wymaganiami.
5. Włożyć dostarczone cztery śruby (4) mocujące w cztery otwory (4) montażowe znajdujące się na wewnętrznej powierzchni obudowy kominka i przykręcić do słupków ściennych (Rys. 8).
6. Zobacz instrukcję instalacji przedniej szyby w procedurze końcowej instalacji.

### Instalacja szyby przedniej

1. Należy równomiernie rozprowadzić dostarczone szklane kamienie na przedniej tacy kominka (Rys. 9).
2. Ostrożnie zamontować przedni szybę w taki sposób, aby haczyki przedniej szyby (4) wisiały na zawieszaniach przedniej szyby na kominku (4) (Rys. 10).
3. Za pomocą dołączonych dwóch (2) śrub Phillipsa do

(Rys. 8).



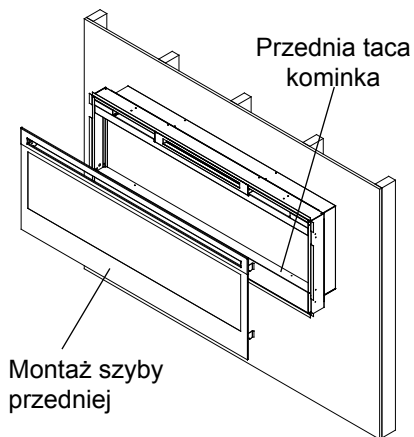
metal u przymocować zaczepy montażowe szyby do kominka (Rys. 11).

4. Upewnić się, że 3-pozycyjny przełącznik kominka jest przełączony w pozycję OFF ("0").
5. Jeśli kominek nie jest podłączony na stałe, należy podłączyć go do gniazdka z prądem o natężeniu 10 Amp i napięciu 230-240 V (patrz UWAGA 1).

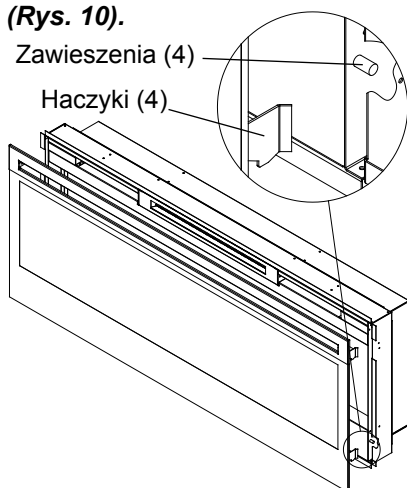


## Instalacja kominka

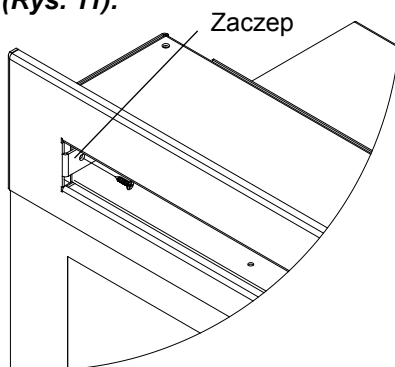
(Rys. 9).



(Rys. 10).

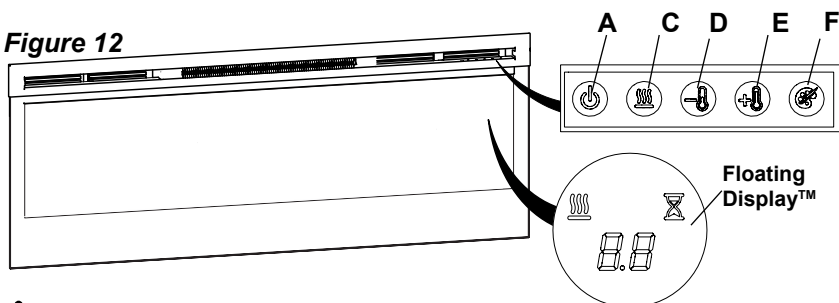


(Rys. 11).



## 👉 Operation

Figure 12

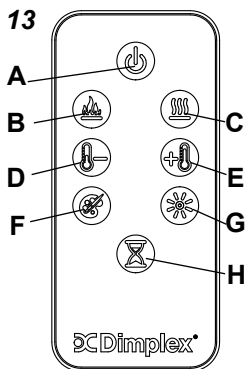


**⚠️ OSTRZEŻENIE:** Przed użyciem elektrycznej komory paleniskowej należy ją w odpowiedni sposób zamontować.

Urządzeniem można sterować ręcznie poprzez regulatory umieszczone w górnej części kominka po prawej stronie lub zdalnie za pomocą pilota (Rys. 12 i 13).

Do kominka dołączono wielofunkcyjny pilot zdalnego sterowania na podczerwień.

Figure 13



**! UWAGA!** Aby pilot działał prawidłowo, musi być skierowany w stronę pływającego wyświetlacza (Floating Display™).

**A. 🛑 Tryb gotowości (Standby)**  
Powoduje włączenie i wyłączenie urządzenia.

→ Tryb włącza się poprzez naciśnięcie przycisku Standby na pilocie bądź urządzeniu.


- Urządzenie zostanie włączone z tymi samymi funkcjami, jakie były ustawione w momencie wyłączenia, a na wyświetlaczu ekranowym zostanie wyświetlona temperatura na wlocie powietrza.

**! UWAGA!** Naciśnięcie dowolnego przycisku spowoduje wyświetlanie temperatury na wlocie powietrza na wyświetlaczu ekranowym przez 5 sekund.

**B. 🔥 Efekty płomienia**


Powoduje włączenie i wyłączenie trybu efektów płomienia.


## Operation

→ Tryb włącza się poprzez naciśnięcie przycisku  na pilocie.


### **C. WŁĄCZ/WYŁĄCZ funkcję ogrzewania**

Powoduje przeprowadzenie procesów cyklicznych urządzenia kolejno przez 3 ustawienia: niski poziom ogrzewania (Low Heat), wysoki poziom ogrzewania (High Heat) i ogrzewanie wyłączone (Off).

→ Tryb włącza się poprzez naciśnięcie przycisku  na pilocie bądź urządzeniu.

- Włączoną funkcję wskazuje ikonka  oraz temperatura na wlocie powietrza wyświetlane na wyświetlaczu ekranowym, przez 5 sekund przed wyłączeniem.

**! UWAGA!** Po wyłączeniu grzejnika następuje 60-sekundowe opóźnienie wyłączenia wentylatora – w tym czasie wentylator będzie kontynuował pracę przed wyłączeniem się.

**! UWAGA!** Urządzenie może pracować w **Trybie samego ogrzewania**. Podczas pracy urządzenia wyłącznie w trybie ogrzewania ikona  będzie stale wyświetlana na wyświetlaczu


ekranowym.

**! UWAGA!** Podczas pierwszego użycia grzejnik może wydzielać mało intensywny nieszkodliwy zapach. Jest to stan normalny spowodowany pierwszym ogrzaniem wewnętrznych części grzejnika i nie wystąpi ponownie.



### **D&E. Regulacja temperatury za pomocą termostatu**

Dostosuj wartość zadaną temperatury do własnych potrzeb. Po osiągnięciu żądanej zadanej temperatury grzejnik wyłączy się. Aby utrzymać żądaną temperaturę zadaną, grzejnik będzie się włączał i wyłączał. Domyślne ustawienie temperatury to 22°C (72°F).

→ Dostosowanie poprzez naciśnięcie  w celu zmniejszenia zadanej temperatury oraz

 w celu zwiększenia zadanej temperatury na urządzeniu bądź pilocie.

- Wyświetlacz ekranowy wskaże zadaną temperaturę, w momencie gdy zostanie dostosowana.



**! UWAGA!** Przytrzymując przycisk  oraz  na urządzeniu przez dwie sekundy, możemy



## Operation

zmienić temperaturę ze °C na °F i odwrotnie.

### **Funkcja wyłączania ogrzewania**

W zależności od sezonu możliwe jest wyłączenie funkcji ogrzewania w urządzeniu. Urządzenie będzie działać w ten sam sposób za pomocą pozostałych funkcji sterowania.

Jednoczesne naciśnięcie przycisku  oraz  na urządzeniu w tym samym czasie i przytrzymanie ich przez 2 sekundy spowoduje wyłączenie i włączenie funkcji ogrzewania.

**! UWAGA!** Jeśli wyłączono funkcję ogrzewania i naciśnięty został przycisk  lub , na Wyświetlaczu ekranowym pojawi się „-”.


### **F. Motywy kolorów**

Różne wstępnie ustawione kombinacje kolorów oświetlenia otoczenia w urządzeniu.

→ Zmiana koloru następuje po wielokrotnym naciśnięciu odpowiedniego przycisku na pilocie bądź urządzeniu.

- Przejście przez różne wstępnie zaprogramowane ustawienia oświetlenia otoczenia w

urządzeniu – obejmuje różne kombinacje kolorów podstawy płomienia oraz oświetlenia środkowej części kominka.

**! UWAGA!** Ostatnim motywem cyklu jest pryzmat – urządzenie przechodzi wtedy przez różne schematy kolorów. Naciśnięcie przycisku  powoduje zatrzymanie zmian cykli i zatrzymanie urządzenia na żądanym kolorze, wskazywane przez litery „U” (odblokowanie) oraz „F” (zablokowanie) na wyświetlaczu.

### **G. Jasność**

Zmienia poziom jasności oświetlenia w urządzeniu.

→ Dostosowanie poziomu jasności następuje po wielokrotnym naciśnięciu odpowiedniego przycisku na pilocie.

- Druga cyfra na wyświetlaczu Floating Display™ zmienia się i wskazuje: „H” (wysoki poziom jasności) oraz „L” (niski poziom jasności).

### **H. Funkcja Sleep Timer**


Funkcję tę można ustawić tak, by automatycznie powodowała wyłączenie kominka po upływie wstępnie ustawionego czasu (od 30 minut do 8 godzin).


→ Aby ustawić funkcję Sleep



## Operation

Timer, należy wielokrotnie nacisnąć przycisk regulatora czasu (timera) na pilocie lub urządzeniu do momentu wyświetlenia żądanego czasu.

- Wyświetlacz ekranowy wskaże wybraną godzinę w momencie jej dostosowania. Kiedy timer rozpocznie odmierzenie czasu, naciśnięcie przycisku  spowoduje wyświetlenie czasu, który pozostał do wyłączenia się urządzenia.

**! UWAGA!** Funkcję Sleep Timer można wyłączyć w dowolnym czasie, naciskając wielokrotnie przycisk , do momentu gdy timer nie będzie już nic wskazywać.

### **Resetowanie przełącznika wyłączającego temperaturę**

W przypadku przegrzania grzejnika funkcja automatycznego odłączania spowoduje wyłączenie grzejnika i bez zresetowania nie wróci do stanu poprzedniego. Resetu można dokonać poprzez wyjęcie wtyczki z urządzenia i odczekanie 5 minut przed ponownym jej podłączeniem.

### **Wymiana baterii w pilocie**

Aby wymienić baterie:

1. Wysuń pokrywę baterii pilota.
2. W prawidłowy sposób zamontuj jedną baterię 3 V (CR2032 [dłuższa żywotność] lub CR2025) w komorze baterii.
3. Zamknij pokrywę baterii.

Baterie należy poddać recyklingowi bądź unieškodliwić w odpowiedni sposób. Informacji na temat recyklingu w Twojej okolicy może Ci udzielić regionalny kompetentny organ bądź sprzedawca.





## Konserwacja

**⚠ OSTRZEŻENIE:** Przed czyszczeniem i konserwacją należy odłączyć urządzenie od źródła zasilania, aby ograniczyć zagrożenie pożarem lub porażeniem prądem bądź doznaniem poważnych urazów.

### Czyszczenie szyby częściowo odbijającej światło

Szyba częściowo odbijająca światło jest oczyszczana w fabryce podczas operacji montażowej. Podczas transportu, montażu, obsługi, itp. szyba ta może zbierać cząstki kurzu; można je usunąć za pomocą czystej, suchej tkaniny.

Aby z szyby częściowo odbijającej światło usunąć odciski palców lub inne znaki, należy wyczyścić ją wilgotną szmatką. Szyba częściowo

odbijająca światło powinna być całkowicie wysuszona niestrzępiącą się szmatką, aby uniknąć plam wodnych. Aby zapobiec zarysowaniu, nie wolno stosować ściernych środków czyszczących.

### Czyszczenie powierzchni kominka

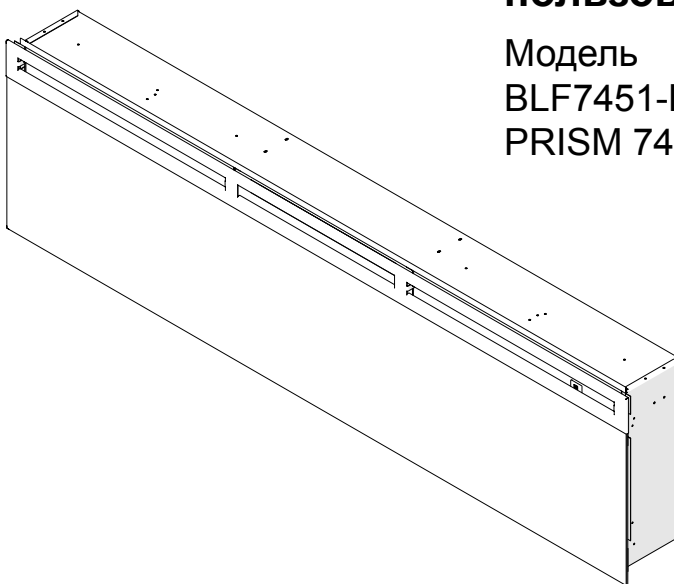
Do czyszczenia powierzchni lakierowanych kominka używać tylko wilgotnej szmatki. Nie wolno stosować ściernych środków czyszczących.

### Serwisowanie

Z wyjątkiem instalacji i czyszczenia, opisanych w niniejszej instrukcji, wszelkie prace serwisowe powinien wykonywać przedstawiciel autoryzowanego serwisu.

## Руководство пользователя

Модель  
BLF7451-EU  
PRISM 74"



EN

FR

ES

IT

DE

PL

**RU**







NO

NL

**ВАЖНАЯ ИНФОРМАЦИЯ ПО ТЕХНИКЕ БЕЗОПАСНОСТИ:** Перед установкой или началом эксплуатации данного камина сначала обязательно прочитайте это руководство. Ради собственной безопасности, чтобы предотвратить травмы или повреждение имущества, всегда соблюдайте все предупреждения и правила техники безопасности, содержащиеся в настоящем руководстве.



## Оглавление

	Вступление . . . . .	3
	<b>ВАЖНЫЕ ИНСТРУКЦИИ ПО ТЕХНИКЕ БЕЗОПАСНОСТИ</b> . . . . .	4
	Краткое справочное руководство . . . . .	7
	Установка камина . . . . .	8
	Выбор места установки. . . . .	8
	Поверхностная установка. . . . .	9
	Установка с заглублением в стену - глубина 100 мм . . . . .	10
	Установка заподлицо Установка - глубина 200 мм . . . . .	12
	Установка переднего стекла. . . . .	13
	Использование . . . . .	15
	Техобслуживание. . . . .	19

Поручайте ремонт камина только квалифицированному специалисту или агентству по сервисному обслуживанию.

**! ПРИМЕЧАНИЕ:** Важные процедуры и приемы, на которые следует обратить особое внимание.

**⚠ ОСТОРОЖНО!**  
Процедуры и приемы, несоблюдение которых приводит к повреждению оборудования..

**⚠ ВНИМАНИЕ!** Процедуры и приемы, из-за несоблюдения которых возникает опасность возгорания или получения серьезной травмы, в т.ч. со смертельным исходом.

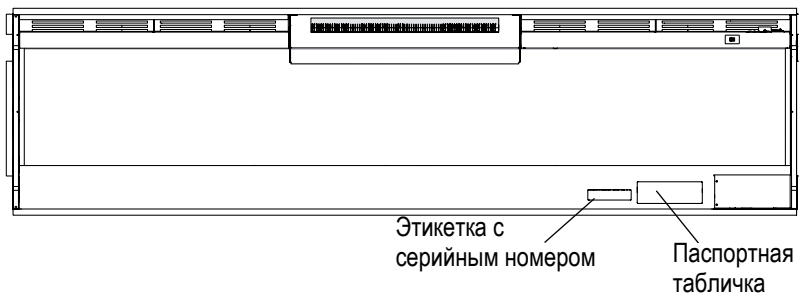
## Вступление

Благодарим и поздравляем Вас с приобретением электрокамина от компании Dimplex - мирового лидера в области производства электрокаминов!

**Внимательно прочитайте эти инструкции и сохраните их.**

**⚠ ОСТОРОЖНО:** Перед началом установки внимательно прочитайте все инструкции и предупреждения. Несоблюдение этих инструкций может привести к поражению электрическим током и пожару, а также является основанием для аннулирования гарантии.

Для использования в будущем впишите в нижеследующие поля номер Вашей модели и серийный номер (эти номера можно найти на специальной этикетке на Вашем камине).





## **ВАЖНЫЕ ИНСТРУКЦИИ ПО ТЕХНИКЕ БЕЗОПАСНОСТИ**

**Перед началом эксплуатации данного устройства прочитайте все инструкции.**

Чтобы снизить риск воспламенения, поражения электрическим током и получения травм, необходимо при использовании электроприборов соблюдать основные меры безопасности:

1. Если устройство повреждено, перед тем как его устанавливать и эксплуатировать, обратитесь к поставщику.
2. Не используйте оборудование вне помещения.
3. Не используйте устройство в непосредственной близости от ванной комнаты, душа или бассейна.
4. Не располагайте устройство непосредственно под штепсельной розеткой или соединительной коробкой.
5. Это устройство может использоваться детьми в возрасте 8 лет и старше, а также лицами с ограниченными физическими, сенсорными или умственными способностями или с недостатком опыта и знаний, если они находятся под контролем или проинструктированы о правилах безопасного использования устройства и понимают возможные опасности. Не позволяйте детям играть с устройством. Чистка и обслуживание могут осуществляться детьми только под присмотром взрослых.
6. Детей в возрасте до 3 лет, если они не находятся под непрерывным присмотром, следует держать подальше от устройства. Дети в возрасте от 3 до 8 лет могут только включать-выключать устройство при условии, что оно размещено или установлено в нормальное рабочее положение, а дети находятся под контролем или проинструктированы о правилах безопасного использования устройства и понимают возможные опасности. Дети в возрасте от 3 до 8 лет не должны



## ВАЖНЫЕ ИНСТРУКЦИИ ПО ТЕХНИКЕ БЕЗОПАСНОСТИ

подключать, регулировать и чистить устройство, как и выполнять его обслуживание.

7. Не используйте данное устройство в сочетании с терморегулятором, программным контроллером, таймером или любым другим устройством, которое осуществляет автоматическое переключение в режим обогрева, поскольку случайное накрытие или смещение устройства может стать причиной пожара.
8. Данное изделие не оснащено устройством контроля температуры в помещении. Использование данного устройства в небольших помещениях в присутствии лиц, неспособных покинуть помещение самостоятельно, допускается только при постоянном контроле.
9. Убедитесь в том, что мебель, шторы или другие горючие материалы находятся не ближе 1 м от данного устройства.
10. В случае сбоя извлеките штепсельную вилку из розетки.
11. Отсоединяйте устройство от электрической сети, если оно долго не используется.
12. Несмотря на то, что данное устройство соответствует положениям стандартов безопасности, мы не рекомендуем использовать его в помещениях, где уложено ковровое покрытие с длинным ворсом.
13. Устройство должно быть расположено так, чтобы сохранялся доступ к штепсельной вилке.
14. Во избежание опасных ситуаций обращайтесь для замены поврежденного шнура питания к производителю, агенту по сервисному обслуживанию или специалисту аналогичной квалификации.
15. Следите за тем, чтобы шнур питания не оказался перед устройством.




## ВАЖНЫЕ ИНСТРУКЦИИ ПО ТЕХНИКЕ БЕЗОПАСНОСТИ

**⚠ ВНИМАНИЕ!** Не накрывайте устройство во избежание перегрева. Не кладите ткань или предметы одежды на устройство и не загораживайте его шторами или мебелью, поскольку это препятствует свободной циркуляции воздуха вокруг устройства и может привести к перегреву или пожару.

**⚠ ВНИМАНИЕ!** Во избежание опасности из-за непреднамеренного возврата теплового выключателя в исходное положение электропитание данного устройства не должно поступать через таймер и другие внешние переключающие устройства, устройство также не должно быть подключено к электросети, которая запрограммирована на регулярное включение и выключение.

**⚠ ОСТОРОЖНО!** Некоторые детали изделия могут сильно нагреваться и при соприкосновении с кожей вызывать ожоги. Особое внимание требуется в случае присутствия детей и лиц с ограниченными возможностями.

На обогревателе имеется предупреждающий символ,  указывающий, что его нельзя накрывать

# СОХРАНЯЙТЕ ЭТИ ИНСТРУКЦИИ





## Краткое справочное руководство

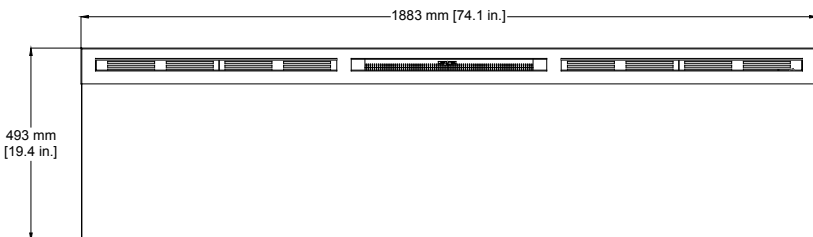
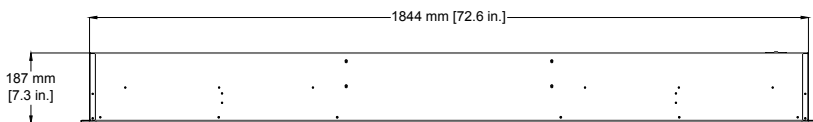
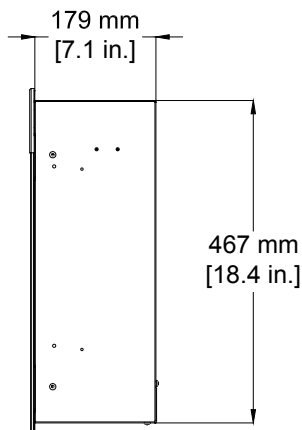
① Информация по электросистеме Вашего электрокамина находится на паспортной табличке, расположенной в передней части изделия, за стеклом.

Перед установкой для использования в будущем впишите ниже серийный номер Вашего электрокамина.

② Если у Вас возникли какие-то технические вопросы или опасения относительно работы Вашего электрокамина, либо возникла необходимость в сервисных услугах, обратитесь в отдел обслуживания клиентов.

③ Размеры Вашего камина см. на рис. 1.

Рис. 1



### Выбор места установки

Просмотрите и оцените все нижеследующие условия установки:

- Размеры изделия: 188,3 см х 49,5 см
- Чтобы обеспечить надёжную установку изделия, требуется не менее 3 (трёх) каркасных стоек.

Существует три способа установки:

- Метод установки:  
Поверхностный монтаж, установка с заглублением в стену или установка заподлицо
- Фиксированное подключение или подключение к электрической розетке

**⚠ ВНИМАНИЕ!** Шнур питания при установке не должен быть заземлён и не должен касаться острого края, кроме того, он должен храниться или быть закреплён так, чтобы о него нельзя было споткнуться с тем, чтобы уменьшить опасность пожара, поражения электрическим током или травмирования.

Конструкция и проводка электрической розетки должны соответствовать местным строительным нормам и правилам и другим применимым нормативам с тем, чтобы уменьшить опасность пожара, поражения электрическим током или травмирования.

1. Выбирайте место установки с учётом того, чтобы оно не было чересчур влажным и находилось в стороне от занавесок, мебели и интенсивного движения.
2. Чтобы облегчить подключение к источнику электроэнергии, желательно расположить камин возле существующей розетки (для удобства подключения).

### ! ПРИМЕЧАНИЕ 1.

Необходима электрическая цепь на 13 Amp, 230-240 В. Предпочтительна, но не во всех случаях обязательна некоммутируемая цепь. Некоммутируемая цепь необходима в том случае, если после установки во время работы обогревателя регулярно размыкается автоматический выключатель или перегорает плавкий предохранитель. Дополнительные устройства в той же самой цепи могут превысить значение номинального тока автоматического выключателя.

3. Перед началом установки извлеките из коробки электрокамин, переднее стекло и оборудование, удалите все упаковочные материалы.
4. До начала установки храните камин в безопасном, сухом и свободном от пыли месте.

## Установка камина

Для удобства подключения камин снабжён штепсельной вилкой с тремя плоскими контактами. Для фиксированного электромонтажа необходимо снять штепсельную вилку с изготовленного на заводе провода и выполнить разводку в соответствии с государственными и локальными нормами на электрические параметры.

**⚠ ВНИМАНИЕ!** Не пытайтесь самостоятельно устанавливать новые розетки или цепи. Чтобы уменьшить опасность пожара, поражения электрическим током или травмирования, всегда пользуйтесь услугами дипломированного электрика.

**⚠ ВНИМАНИЕ!** Убедитесь, что 3-позиционный выключатель установлен в положение Выкл ("0") и что до завершения установки электрическая цепь, в которой должен быть установлен электрокамин, отключена на эксплуатационной панели.

### Поверхностная установка

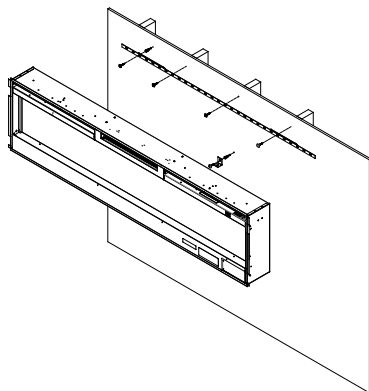
**⚠ ОСТОРОЖНО!** Для выполнения различных этапов этой процедуры необходимы два человека.

1. Выберите место монтажа изделия таким образом, чтобы настенный монтажный кронштейн мог быть установлен на 3 каркасных стойках.

### ! ПРИМЕЧАНИЕ:

Рекомендуется установить

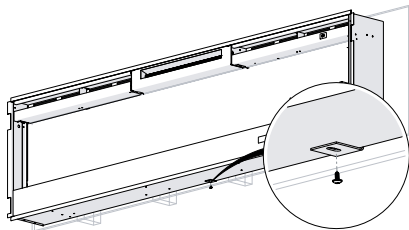
Рис. 2



монтажный кронштейн в 56 дюймах (142 см) от пола, чтобы сохранить оптимальный угол обзора пламени.

2. Удерживайте настенный монтажный кронштейн с пузырьковым уровнем сверху на стене так, чтобы пузырёк уровня находился посередине между двумя чёрными линиями.
3. Отметьте на стене места для размещения 4 установочных винтов так, чтобы настенный кронштейн оставался ровным (рис. 3).
4. Если винты устанавливаются только в гипсокартон, перед установкой винта установите входящие в комплект поставки стеновые анкеры (при необходимости выполните предварительное сверление).

Рис. 3



5. Зафиксируйте настенный кронштейн с помощью входящих в комплект поставки  $1\frac{1}{2}$  установочных винтов на 1 дюйм (3,8 см) и шайб в стене и/или стеновых анкерах.
6. Установите на стену нижний опорный кронштейн, центрируя его с помощью настенного монтажного кронштейна и используя соответствующие элементы крепления на  $1\frac{3}{4}$  дюймов (350 мм) ниже настенного монтажного кронштейна. (рис. 2).
7. Удалите из нижней части электрокамина центрирующий винт (рис. 3).
8. Повесьте камин на кронштейн.
9. Через нижний опорный кронштейн установите удалённый винт в электрокамин.
10. Заключительные процедуры установки см. в разделе "Установка переднего стекла".

### Установка с заглублением в стену - глубина 100 мм

**⚠ ОСТОРОЖНО!** Для выполнения различных этапов этой процедуры необходимы два человека.

1. Подготовьте стену с обрамлённой нишей шириной 185,7 см и высотой 42 см (рис. 4).

**! ПРИМЕЧАНИЕ:** Для облегчения установки вокруг каминной вставки допускается изменение размера в 6,4 мм. Этот камин не требует дополнительной вытяжки.

2. Выберите нужный метод подачи электропитания к изделию:

- Подключение к розетке (Вы можете подключить шнур питания от обрамлённой ниши к существующей розетке или установить розетку на прилегающую каркасную стойку).
- Выполните фиксированное подключение камина.

**! ПРИМЕЧАНИЕ:** Для фиксированного электромонтажа необходимо снять штепсельную вилку с изготовленного на заводе провода и выполнить разводку в соответствии с государственными и локальными нормами на электрические параметры.

## Установка камина

**⚠ ВНИМАНИЕ!** Не пытайтесь самостоятельно устанавливать новые розетки или цепи. Чтобы уменьшить опасность пожара, поражения электрическим током или травмирования, всегда пользуйтесь услугами дипломированного электрика. Убедитесь, что 3-позиционный выключатель установлен в положение Выкл ("О") и что до завершения установки электрическая цепь, в которой должен быть установлен электрокамин, отключена на эксплуатационной панели.

3. Поднимите камин и вставьте его в нишу (рис. 5).
4. С помощью пузырькового уровня (входит в комплект поставки) выровняйте камин внутри каркаса. При необходимости отрегулируйте.
5. Вверните 4 (четыре) входящих в комплект поставки установочных винта через 4 (четыре) монтажных отверстия, расположенных в каждом углу каркаса камина, в каркасные стойки (рис. 6).
6. Заключительные процедуры установки см. в разделе "Установка переднего стекла".

Рис. 4

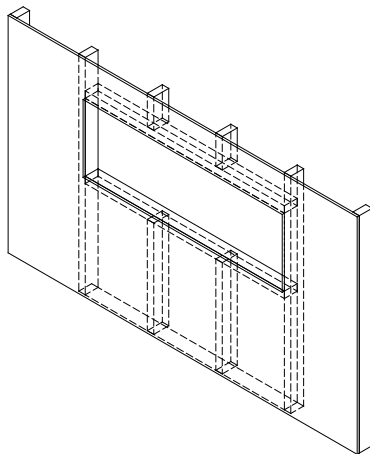
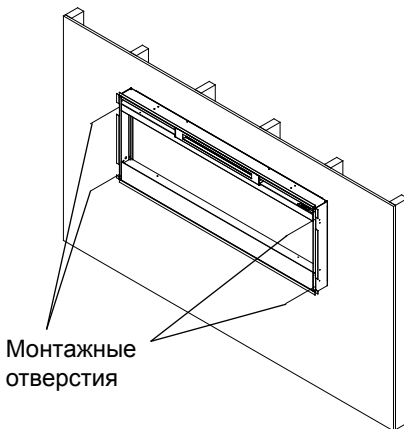
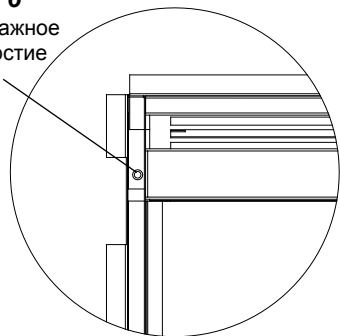


Рис. 5



**Рис. 6**

Монтажное отверстие



### Установка заподлицо

#### Установка - глубина 200 мм

**⚠ ОСТОРОЖНО!** Для выполнения различных этапов этой процедуры необходимы два человека.

1. Подготовьте стену с обрамлённой нишей шириной 185,7 см и высотой 47 см (рис. 7).

**! ПРИМЕЧАНИЕ.** Для облегчения установки вокруг каминной вставки допускается изменение размера в 6,4 мм. Этот камин не требует дополнительной вытяжки.

2. Выберите нужный метод подачи электропитания к изделию:
  - Подключение к розетке (Вы можете подключить шнур питания от обрамлённой ниши к существующей

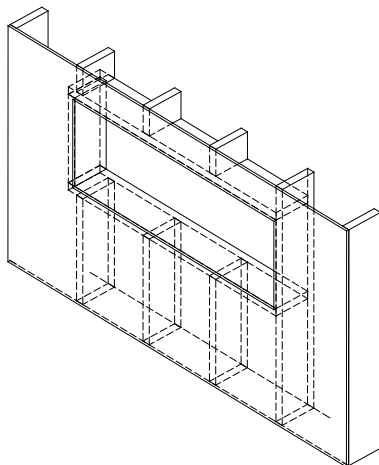
розетке или установить розетку на прилегающую каркасную стойку).

- Выполните фиксированное подключение камина.

**! ПРИМЕЧАНИЕ:** Для фиксированного электромонтажа необходимо снять штепсельную вилку с изготовленного на заводе провода и выполнить разводку в соответствии с государственными и локальными нормами на электрические параметры.

**⚠ ВНИМАНИЕ!** Не пытайтесь самостоятельно устанавливать новые розетки или цепи. Чтобы уменьшить опасность пожара, поражения электрическим током или травмирования,

**Рис. 7**



## Установка камина

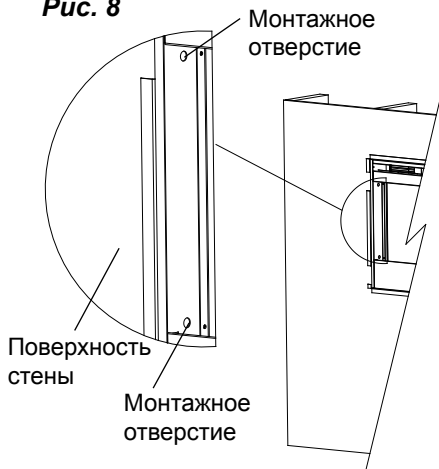
всегда пользуйтесь услугами дипломированного электрика. Убедитесь, что 3-позиционный выключатель установлен в положение Выкл ("О") и что до завершения установки электрическая цепь, в которой должен быть установлен электрокамин, отключена на эксплуатационной панели.

3. Поднимите камин и вставьте его в нишу. Установочная накладка электрокамина должна быть вровень со стеной (рис. 8).
4. С помощью пузырькового уровня (входит в комплект поставки) выровняйте камин внутри каркаса. При необходимости отрегулируйте.
5. Вверните 4 (четыре) входящих в комплект поставки установочных винта через четыре монтажных отверстия (4), расположенных на внутренней поверхности каркаса камина, в каркасные стойки (рис. 8).
6. Заключительные процедуры установки см. в разделе "Установка переднего стекла".

### Установка переднего стекла

1. Равномерно распределите входящие в комплект поставки стеклянные

Рис. 8

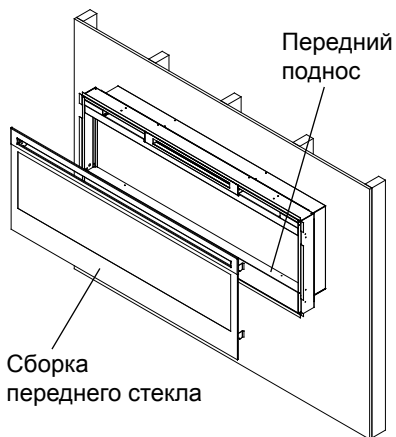


камешки на переднем поддоне электрокамина (рис. 9).

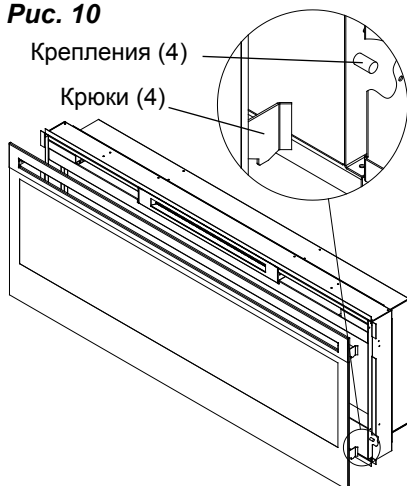
2. Тщательно смонтируйте сборку переднего стекла так, чтобы крюки переднего стекла (4) были прочно закреплены на креплениях переднего стекла на электрокамине (4) (рис. 10).
3. С помощью входящих в комплект поставки 2 (двух) винтов для листового металла Phillips прикрепите петли сборки стекла к электрокамину (рис. 11).
4. Убедитесь, что 3-позиционный выключатель электрокамина установлен в положение Выкл ("О").

## Установка камина

**Рис. 9**

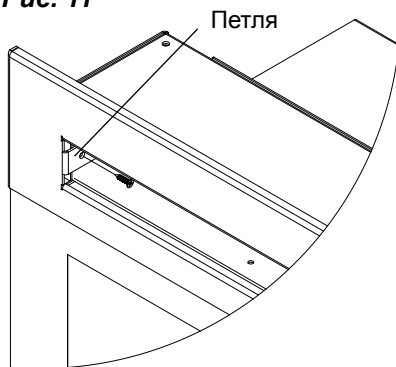


**Рис. 10**



5. Если изделие не жёстко смонтировано, подключите электрокамин к розетке на 10 А, 230-240 В (см. ПРИМЕЧАНИЕ 1).

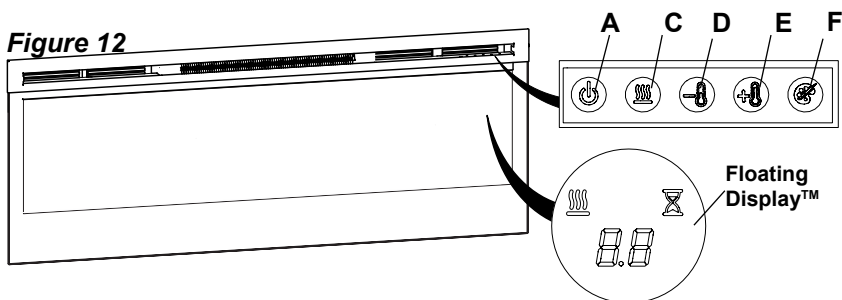
**Рис. 11**





## 👉 Operation

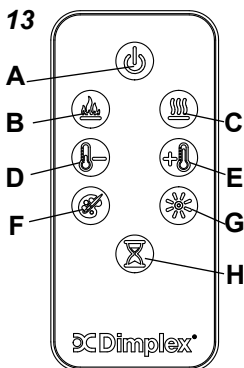
Figure 12



**⚠️ ПРЕДОСТЕРЕЖЕНИЕ:** Перед использованием следует надлежащим образом установить эту топочную камеру. Этим устройством следует управлять с помощью ручных средств, расположенных в верхней части топочного устройства, или пульта (Рис. 12 и 13). Топочная камера поставляется вместе с многофункциональным ИК-пультом.

**! ПРИМЕЧАНИЕ:** Для адекватной работы пульт должен

Figure 13



быть направлен к дисплею Floating Display™.

### A. Режим ожидания


Включает и отключает устройство.

- Активируется при нажатии кнопки режима ожидания на пульте или устройстве.
- При включении устройство сохранит те же функции, на которые было настроено при выключении, и температура впуска будет выведена на Дисплей.

**! ПРИМЕЧАНИЕ:** Если нажата любая кнопка, температура впуска демонстрируется на дисплее в течение пяти секунд.


### B. Эффект пламени


Включает и отключает эффект пламени.

- Активируется при нажатии  кнопки на устройстве или пульте.


### C. **Обогрев ВКЛ/ВЫКЛ**

Циклично последовательно проводит устройство через 3 настройки: низкий обогрев, высокий обогрев и отключен.

→ Активируется при нажатии кнопки  режима ожидания на пульте или устройстве.

- Демонстрируется  значок и температура впуска на Дисплее в течение 5 секунд перед отключением.

**! ПРИМЕЧАНИЕ:** После отключения обогревателя в течение 60 секунд продолжает работать вентилятор в режиме задержки, затем отключается.


**! ПРИМЕЧАНИЕ:** Это устройство может работать в режиме **Только обогрев**. Когда устройство работает только как обогреватель,  значок постоянно отображается на Дисплее.


**! ПРИМЕЧАНИЕ:** Обогреватель может издавать легкий безвредный запах при первом использовании. Этот запах является нормальным явлением, он вызван первичным нагревом внутренних частей устройства и не возникнет снова.

### D & E. **Термореле**

Настраивает точку установки температуры согласно вашим индивидуальным требованиям. При достижении установленной температуры обогреватель отключится. Обогреватель продолжит работать циклами включения и отключения для поддержания желаемой температуры. Настройка температуры по умолчанию 72°F (22°C).



→ Настраивается нажатием

, чтобы снизить точку

настройки, и , чтобы повысить данную точку на устройстве или пульте.

- На Дисплей будет выведена настроенная точка температуры.



**! ПРИМЕЧАНИЕ:** Удерживание

 и  нажатых кнопок в течение двух секунд на устройстве изменит температуру с °C на °F и наоборот.



### **Отключение обогрева**

По желанию и в зависимости от сезона можно отключить обогреватель устройства. Устройство продолжит работать в том же режиме с сохранением контрольных установок.

## Operation

Нажатие  и  кнопок на устройстве одновременно с удерживанием в течение 2 секунд отключит или включит обогреватель.

**! ПРИМЕЧАНИЕ:** При отключении обогревателя или нажа-

тии  +  на Дисплей выводится «--».


### **F. Настройки цвета**

Устройство оснащено разными предустановленными цветами оформления подсветки.

→ Изменяется несколькими нажатиями соответствующей кнопки на пульте или устройстве.

- Переключает разные предустановленные варианты цветового оформления подсветки устройства, это включает различные комбинации цветов основания пламени и подсветки среды.

**! ПРИМЕЧАНИЕ:** Последняя тема цикла представляет собой призму, когда устройство проходит через циклы изменения цвета. Нажатие кнопки

 останавливает этот цикл и останавливает устройство на выбранном цвете, обозначается

на дисплее как U — «разморозить» или F — «заморозить».

### **G. Яркость**

Изменение яркости подсветки устройства.


→ Настраивается несколькими нажатиями кнопки режима ожидания на пульте.

- Обозначается второй цифрой на дисплее Floating Display™, которая изменяется, чтобы показать: H (высокий) и L (низкий).

### **H. Таймер сна**

Таймер сна может быть настроен на автоматическое выключение камина по истечении установленного времени (от 30 минут до 8 часов).


→ Чтобы установить таймер нажмите кнопку таймера на пульте или устройстве несколько раз до выведения на дисплей желаемого времени.

- На Дисплей будет выведено разное время согласно настройке. После запуска таймера нажатие кнопки  выведет на дисплей время оставшееся до отключения.

**! ПРИМЕЧАНИЕ:** Таймер сна



## Maintenance

может быть отключен в любой момент несколькими нажатиями кнопки  до тех пор, пока таймер перестанет отображать что-либо.

### Перенастройка температурного выключателя

В случае перегрева обогревателя, автоматический выключатель отключит обогреватель и не вернется к работе без последующей перенастройки. Его можно перезапустить, отключив устройство от питания и подождя 5 минут, а затем снова подключив к сети.

**⚠ ВНИМАНИЕ:** Если вам часто приходится перезапускать обогреватель, отключите устройство и позвоните в службу технической поддержки 1-888-346-7539.

### Замена батареи пульта управления

Чтобы заменить батарею,

1. скольльзящим движением откройте крышку батареи на пульте.
2. Правильно установите одну батарею 3 Вольта (CR2032 [увеличенный срок службы])

или CR2025) в держатель батареи.

3. Закройте крышку батареи.

Батарея должна быть переработана или надлежащим образом удалена.

Узнайте о возможностях переработки у местных



властей или ретейлера в вашем регионе.



## Техобслуживание

**⚠ ВНИМАНИЕ!** Чтобы избежать пожара, поражения электрическим током или травмирования людей, отключайте подачу питания перед тем как, чистить устройство или заниматься его техобслуживанием.

### Чистка частично отражающего стекла

Частично отражающее стекло подвергается чистке на заводе во время сборки. Во время перевозки, установки, обработки и т.д. частично отражающее стекло может собирать частицы пыли; их можно удалить с помощью чистой сухой ткани.

Чтобы удалить отпечатки пальцев или другие следы, частично отражающее стекло можно чистить влажной тканью. Для предотвращения образования водяных пятен

частично отражающее стекло необходимо полностью высушить с помощью ткани без ворса. Чтобы предотвратить образование царапин, не используйте абразивные чистящие средства.

### Чистка поверхности электрокамина

Для чистки окрашенных поверхностей камина используйте только влажную ткань. Не используйте абразивные чистящие средства.

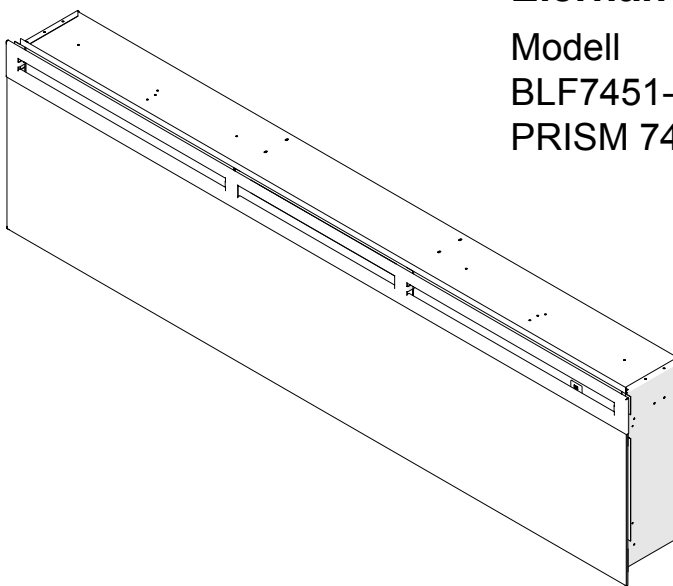
### Обслуживание

Кроме описанных в настоящем руководстве установки и чистки, все другие виды обслуживания должны выполняться полномочным представителем сервис-центра.

Better solutions through innovation

## Eierhåndbok

Modell  
BLF7451-EU  
PRISM 74"



EN

FR

ES

IT

DE

PL

RU




**NO**

NL

**VIKTIG SIKKERHETSINFORMASJON:** Du må alltid lese denne håndboken før du prøver å montere eller bruke denne peisen. For din egen sikkerhets skyld må du alltid følge alle advarsler og sikkerhetsinstrukser i denne håndboken, slik at du kan unngå personskader eller skade på eiendom.



## Innholdsfortegnelse

 Velkommen og gratulerer. . . . .	3
 VIKTIGE SIKKERHETSINSTRUKSER . . . . .	4
 Hurtigveiledning. . . . .	7
 Montering av peisen . . . . .	8
Valg av sted. . . . .	8
Overflate Montering. . . . .	9
Montering i utsparing i veggen – 100 mm dyp . . . . .	10
Montering uten utstikk – 200 mm dyp . . . . .	11
Montering av glassfront. . . . .	13
 Bruk . . . . .	15
 Vedlikehold . . . . .	19

Bruk alltid en kvalifisert tekniker eller servicebedrift til å reparere dennepeisen.

**! MERK:** Fremgangsmåter og teknikker som anses viktige nok til å fremheve.

**⚠ FORSIKTIG:**  
Fremgangsmåter og teknikker som, hvis de ikke følges nøye, vil føre til skade på utstyret.

**⚠ ADVARSEL:**  
Fremgangsmåter og teknikker som, hvis de ikke følges, vil eksponere brukere mot brannfare, alvorlig personskade eller dødsfall.

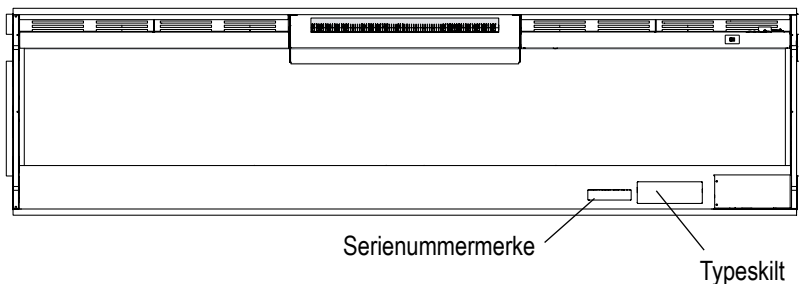
## **i** Velkommen og gratulerer

Takk for og gratulerer med at du har valgt å kjøpe en elektrisk peis fra Dimplex, verdenslederen innen elektriske peiser.

**Du må lese disse instruksene nøye og ta vare på dem.**

**⚠ FORSIKTIG:** Les alle instruksene og advarslene nøye før du begynner med monteringen. Hvis du ikke følger disse instruksene, kan det føre til elektrisk støt og brannfare, og dessuten vil det gjøre garantien ugyldig.

Skriv ned modell- og serienumrene nedenfor for framtidig referanse: modell- og serienumrene finner du på modell- og serienummermerket på peisen.







## VIKTIGE SIKKERHETSINSTRUKSER

### **Les alle instruksene før du bruker dette apparatet.**

Når det brukes elektriske apparater, må grunnleggende forholdsregler alltid følges for å redusere faren for brann, elektrisk støt og personskade, blant annet:

1. Hvis apparatet er skadet, må du kontakte leverandøren før montering og bruk.
2. Det skal ikke brukes utendørs.
3. Det må ikke brukes i umiddelbar nærhet av badekar, dusj eller svømmebasseng.
4. Apparatet må ikke plasseres umiddelbart under en fast veggkontakt eller koplingsboks.
5. Dette apparatet kan brukes av barn som er 8 år eller eldre og personer med reduserte fysiske, sansemessige eller mentale evner eller med mangel på erfaring eller kunnskap, hvis de er under oppsyn eller har fått instruksjon i sikker bruk av apparatet og forstår farene som er involvert. Barn må ikke leke med apparatet. Rengjøring og brukervedlikehold skal ikke utføres av barn uten tilsyn.
6. Barn under 3 år må holdes unna med mindre de holdes under konstant tilsyn. Barn mellom 3 og 8 år skal bare slå apparatet på eller av, forutsatt at det er plassert eller montert i sin tiltenkte, normale driftsposisjon og at barna får tilsyn eller har fått instruksjon i bruk av apparatet på en trygg måte, og forstår farene som er involvert. Barn mellom 3 og 8 år må hverken kople til, regulere og rengjøre apparatet eller vedlikeholde det.

## VIKTIGE SIKKERHETS-INSTRUKSER


- Ikke bruk dette apparatet i serie med en termisk kontroll, en programregulator, et tidsur eller annen enhet som slår på varmen automatisk, ettersom det foreligger brannfare dersom apparatet blir tildekket eller flyttet i vanvare.
- Dette apparatet er ikke utstyrt med en innretning til å regulere romtemperaturen. Ikke bruk dette apparatet i små rom når det befinner seg personer der som ikke er i stand til å forlate rommet på egenhånd, med mindre de er under kontinuerlig tilsyn.
- Sørg for at møbler, gardiner og andre brennbare materialer er plassert i minst 1 meters avstand fra apparatet.
- Hvis det oppstår en feil, må apparatet frakoples.
- Trekk ut kontakten til apparatet når det ikke skal brukes i lange perioder.
- Selv om dette apparatet er i samsvar med sikkerhetsstandarder, anbefaler vi ikke å la det stå på dype raggtepper eller på tepper med lange hår.
- Apparatet må plasseres slik at pluggen er tilgjengelig.
- Hvis strømledningen er skadet, må den skiftes av produsenten eller servicerepresentanten, eller en tilsvarende kvalifisert person.
- Hold strømledningen unna fronten på apparatet.

## **VIKTIGE SIKKERHETS-INSTRUKSER**

**⚠ ADVARSEL:** For å unngå overoppheting må ikke apparatet tildekkes. Ikke legg materialer eller klær på apparatet. Luftsirkulasjonen rundt apparatet må ikke hindres, for eksempel med gardiner eller møbler, da dette kan forårsake overoppheting og utgjør en brannfare.

**⚠ ADVARSEL:** For å unngå at det oppstår fare på grunn av utilsiktet tilbakestilling av varmeutkopplingsbryteren, må dette apparatet ikke forsynes med strøm gjennom en ekstern bryterenheter, som for eksempel et tidsur, eller være koplet til en krets som regelmessig slås av og på av strømleverandøren.

**⚠ FORSIKTIG:** Noen deler av dette apparatet kan bli svært varme og forårsake brannskår. Vær spesielt oppmerksom når det er barn og sårbare personer til stede.

Varmeapparatet har et varselsymbol 

som indikerer at det ikke må tildekkes

**TA VARE PÅ DISSE INSTRUKSENE**



## Hurtigveiledning

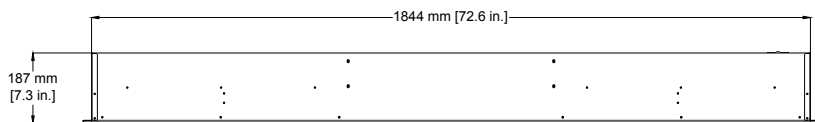
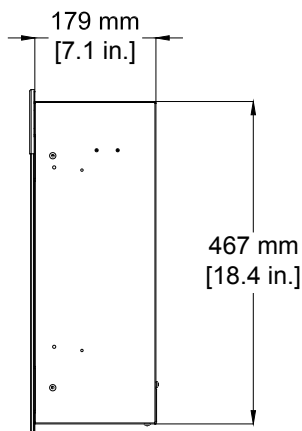
① Elektrisk informasjon for den elektriske peisen finner du på typeskiltet som sitter foran på enheten, bak glasset.

Før montering må du skrive ned peisens serienummer nedenfor for fremtidig referanse.

② Hvis du har tekniske spørsmål eller bekymringer angående bruk av den elektriske peisen, eller trenger service, kan du kontakte kundeservice.

③ Peisens dimensjoner finner du i figur 1.

**Figur 1**



## Montering av peisen

### Valg av sted

Gå gjennom og vurder alle følgende forhold for montering:

- Enhetens dimensjoner: 188,3 cm x 49,5 cm.
- Enheten krever minst tre (3) veggstolper for en sikker montering

Tre mulige monteringsmetoder:

- Monteringsmetode:  
Overflatemontering, utspart i veggen eller montert uten utstikk
- Fast tilkopling eller med plugg

**⚠ ADVARSEL:** Sørg for at strømledningen ikke er montert på en slik måte at den kan komme i klem eller ligger mot en skarp kant, og sørg for at strømledningen henger eller er festet slik at det ikke er mulig å snuble eller huke borti den. På den måten reduserer du faren for brann, elektrisk støt eller personskade.

Konstruksjonen og ledninger til strømuttak må være i samsvar med lokale bygningsforskrifter og andre aktuelle forskrifter, slik at faren for brann, elektrisk støt og personskade reduseres.

1. Velg et sted som ikke er utsatt for fuktighet og som er borte fra gardiner, møbler og stor trafikk.
2. For enkel tilkopling kan det være lurt å plassere peisen i nærheten av en eksisterende kontakt (slik at det blir enkelt å ta ut og sette inn pluggen).

**! MERKNAD 1:** Det må være en krets for strøm på 13 A og 230–240 V. En egen krets er å foretrekke, men det er ikke nødvendig i alle tilfeller. En egen krets vil være nødvendig hvis, etter montering, kretsbryteren stenges eller sikringen ryker regelmessig mens varmeapparatet er i bruk. Flere apparater i samme krets kan føre til at strømkapasiteten til kretsbryteren overskrides.

3. Ta peisen, frontglasset og festeanordningene fra esken, og fjern alle emballasjematerialer før montering.
4. Oppbevar peisen på et trygt, tørt og støvfritt sted inntil du er klar til å montere peisen.

## Montering av peisen

Sammen med peisen følger en tre-pinner plugg som gjør det enkelt å plukke den inn. Tilkopling av peisen til en egen krets er også et alternativ. I så fall kan pluggen fjernes fra den fabrikkmonterte ledningen og tilkoplingen gjøres i samsvar med nasjonale og lokale strømforskrifter.

**⚠ ADVARSEL:** Ikke prøv å montere nye kontakter eller kretser selv. Bruk alltid en autorisert elektriker, slik at du reduserer risikoen for brann, elektrisk støt eller personskade.

**⚠ ADVARSEL:** Sørg for at 3-trinnsbryteren står på AV-stillingen ("O") og at strømmen til kretsen som peisen skal koples til er avstengt i sikringsboksen inntil monteringen er fullført.

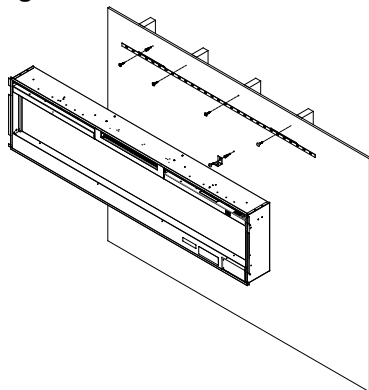
### Overflate Montering

**⚠ FORSIKTIG:** Det trengs to personer for noen trinn i denne fremgangsmåten.

1. Bestem monteringsstedet for enheten slik at veggfestebraketten kan monteres på 3 veggstolper.

**! MERK:** Det anbefales at festebraketten monteres 56 tommer (142 cm) over bakken, slik

**Figur 2**

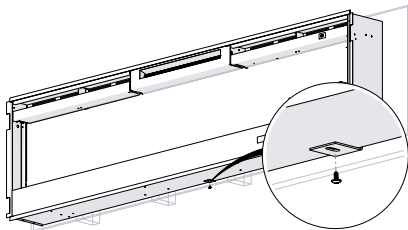


at det blir en optimal visningsvinkel for peisilden.

2. Hold veggfestebraketten, med et vater oppå, mot veggen slik at boblen i vateret er sentrert mellom de to svarte strekene.
3. Merk monteringsstedene for de 4 festeskurene på veggen, mens du sørger for at veggbraketten forblir i vater. (figur 3)
4. På steder der skruene settes inn kun i tørrmur, må de medfølgende veggankrene monteres før skruen settes inn (bor hull på forhånd om nødvendig).
5. Fest veggbraketten til veggen og/eller veggankrene med de

## Montering av peisen


Figur 3



medfølgende 1½-tommes (3,8 cm) festeskruene og -skivene.

6. Monter den nedre støttebrakketten på vegg, sentrert på veggfestebra-ketten, ved bruk av de aktuelle festeanordningene, 13 ¾ tommer (350 mm) under veggfestebra-ketten. (figur 2)
7. Fjern den midte skruen fra bunnen av peisen. (figur 3)
8. Heng peisen på braketten.
9. Sett den fjernede skruen gjennom bunnstøttebraketten og inn i peisen.
10. Se instruksene for montering av frontglasset med hensyn til ferdiggjøring av monteringen.

### Montering i utsparing i vegg – 100 mm dyp


 **FORSIKTIG:** Det kan trenge-s til personer for noen trinn i denne fremgangsmåten.

1. Gjør klar en vegg med en innrammet åpning som er 185,7 cm bred x 42 cm høy (figur 4).

**! MERK:** Størrelsen gir et rom på 6,4 mm rundt peisinnlegget for å gjøre monteringen enklere. Denne peisen krever ikke tilleggsventilasjon.

2. Velg hvordan du vil forsyne enheten med strøm:
  - Med plugg (du kan føre strømledningen ut av den innrammede veggåpningen til en eksisterende kontakt eller montere en kontakt i nærheten på en stolpe inne i vegg).
  - Fast tilkopling til egen krets.

**! MERK:** Fast tilkopling til en egen krets kan gjøres ved å fjerne pluggen fra den fabrikkmonterte ledningen, og gjøre tilkoplingen i samsvar med nasjonale og lokale strømforskrifter.

 **ADVARSEL:** Ikke prøv å montere nye kontakter eller kretser selv. Bruk alltid en autorisert elektriker, slik at du reduserer risikoen for brann, elektrisk støt eller personskade.

## Montering av peisen

Sørg for at 3-trinnsbryteren står på AV-stillingen ("O") og at strømmen til kretsen som peisen skal koples til er avstengt i sikringsboksen inntil monteringen er fullført.

3. Løft peisen og sett den inn i åpningen (figur 5).
4. Bruk vateret (medfølgende) til å sørge for at peisen er i vater inne i åpningen. Juster etter behov.
5. Skru de fire (4) medfølgende festeskruene gjennom de fire (4) festehullene som sitter i hverthjørne av peisrammen, inn i veggstolpene (figur 6).
6. Se instruksene for montering av frontglasset med hensyn til ferdiggjøring av monteringen.

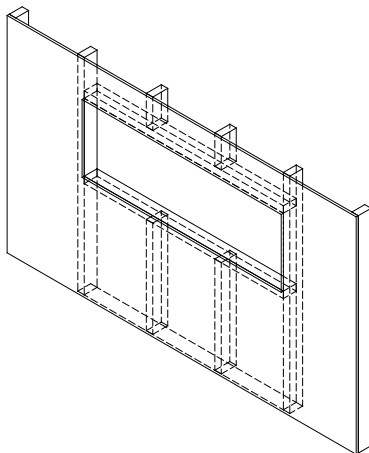
### Montering uten utstikk – 200 mm dyp

**⚠ FORSIKTIG:** Det kan trenges to personer for noen trinn i denne fremgangsmåten.

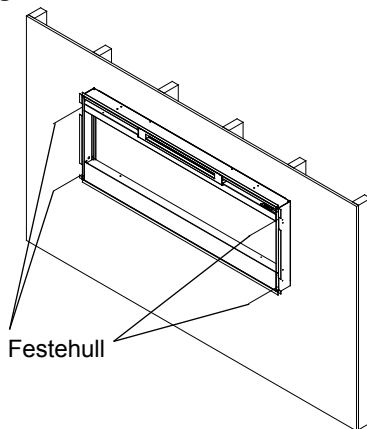
1. Gjør klar en vegg med en innrammet åpning som er 185,7 cm bred x 47 cm høy (figur 7).

**! MERK:** Størrelsen gir et rom på 6,4 mm rundt peisinnlegget for å gjøre monteringen enklere. Denne peisen krever ikke tilleggsventilasjon.

Figur 4



Figur 5

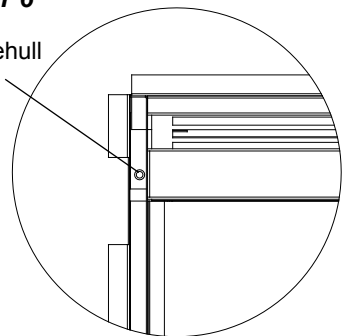




## Montering av peisen

**Figur 6**

Festehull



2. Velg hvordan du vil forsyne enheten med strøm:
  - Med plugg (du kan føre strømledningen ut av den innrammede veggåpningen til en eksisterende kontakt eller montere en kontakt i nærheten på en stolpe inne i veggen).
  - Fast tilkopling til egen krets.

**! MERK:** Fast tilkopling til en egen krets kan gjøres ved å fjerne pluggen fra den fabrikkmonterte ledningen, og gjøre tilkoplingen i samsvar med nasjonale og lokale strømforskrifter.

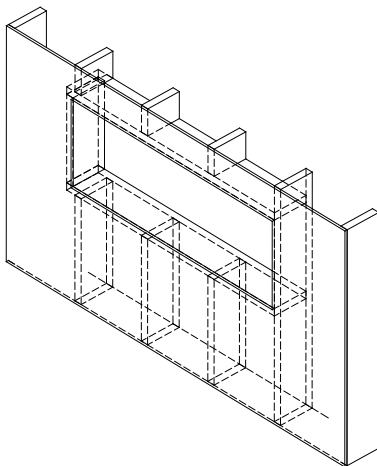
**⚠ ADVARSEL:** Ikke prøv å montere nye kontakter eller kretser selv. Bruk alltid en autorisert elektriker, slik at du reduserer risikoen for brann, elektrisk støt eller personskade.

Sørg for at 3-trinnsbryteren står på AV-stillingen ("O") og at strømmen til

kretsen som peisen skal koples til er avstengt i sikringsboksen inntil monteringen er fullført.

3. Løft peisen og sett den inn i åpningen. Peisens festeutsmykning skal være i plan med veggen (figur 8).
4. Bruk vateret (medfølgende) til å sørge for at peisen er i vater inne i åpningen. Juster etter behov.
5. Skru de fire (4) medfølgende festeskruene gjennom de fire (4) festehullene på innsiden av peisrammen, inn i veggstolpene (figur 8).

**Figur 7**

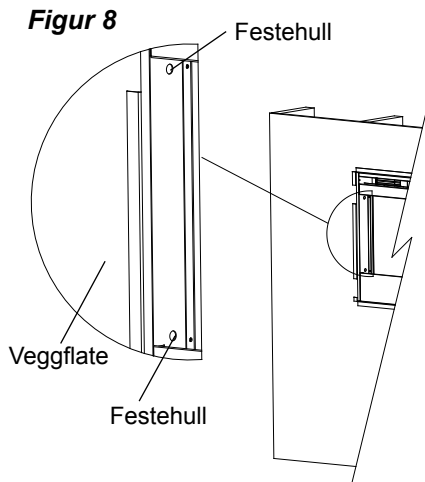


## Montering av peisen

6. Se instruksene for montering av frontglasset med hensyn til ferdiggjøring av monteringen.

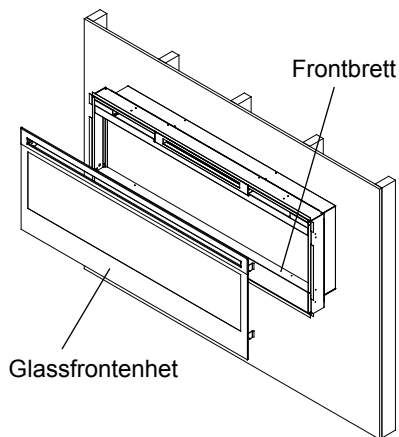
### Montering av glassfront

1. Spre den medfølgende steinullen på frontbrettet på peisen (figur 9).
2. Monter glassfrontenheten varsomt slik at frontglasskrokene (4) henger på frontglassfestene på peisen (4) (figur 10).
3. Bruk de to (2) medfølgende stjerneplateskruene til å feste klaffene på glassenheten til peisen (figur 11).
4. Sørg for at peisens 3-trinnsbryter står i AV-stillingen ("O").
5. Hvis enheten ikke er fastkopleet til egen krets, skal peisens strømløsning settes inn i en kontakt for strøm på 10 A, 230–240 V (se MERKNAD 1).

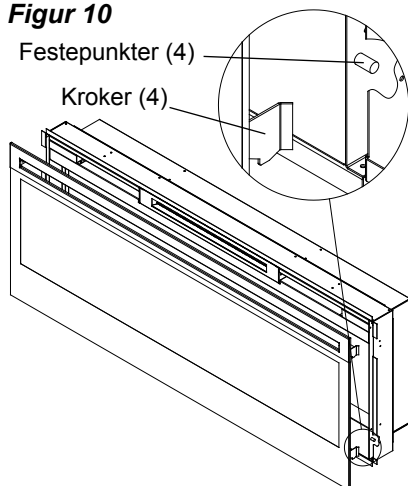


## Montering av peisen

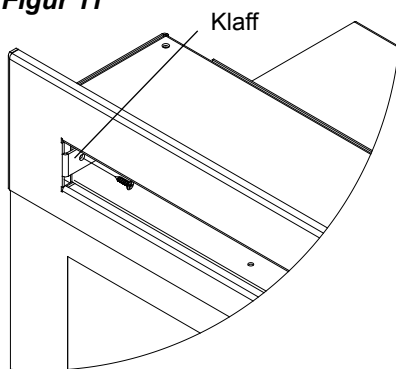
**Figur 9**



**Figur 10**

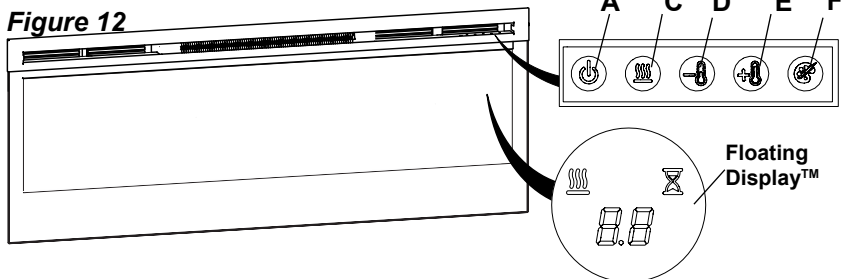


**Figur 11**



## 👉 Operation

Figure 12



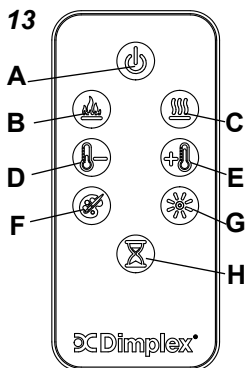
**⚠️ ADVARSEL:** Denne elektriske innbygningspeisen må være riktig installert før bruk.

Enheten kan styres enten ved hjelp av de manuelle kontrollene som er plassert øverst til høyre i peisen, eller med fjernkontrollen (figur 12 og 13).

Peisen leveres med en multifunksjonell fjernkontroll.

**! MERK:** For at fjernkontrollen skal fungere riktig, må den rettes mot Floating Display™ (lite bilde som "flyter" på skjermen).

Figure 13



### A. Standby

Slår enheten på og av.


→ Aktiveres ved å trykke på Standby-knappen på fjernkontrollen eller på enheten.

- Enheten slår seg på med de samme funksjonene som var aktiverte da den ble slått av, og inntakstemperaturen vises på skjermen.

**! MERK:** Når du trykker på en knapp, vises inntakstemperaturen på skjermen i 5 sekunder.


### B. Flammeeffekter

Slår flammeeffekt på og av.


→ Aktiveres ved å trykke på  -knappen på fjernkontrollen.

### C. Varme PÅ/AV


Sirkulerer varmen i sekvenser gjennom 3 innstillinger: Lav varme, høy varme og av.

→ Aktiveres ved å trykke på  -knappen på enheten eller fjernkontrollen.

## ☛ Operation

- Indikeres av  -ikonet og inntakstemperaturen som vises på skjermen i 5 sekunder før den slås av.



! **MERK:** Etter at ovnen er slått av, fortsetter viften å gå i 60 sekunder før den slår seg av.

! **MERK:** Enheten kan brukes i **Kun varme-modus** Når enheten brukes med kun varmeelement, vises  -ikonet kontinuerlig vises på skjermen.

! **MERK:** Ovnens kan avgi en liten mengde ufarlig lukt under første bruk. Denne lukten er en normal tilstand forårsaket av førstegangs oppvarming av de innvendige delene i ovnen, og vil ikke oppstå ved senere bruk.



### D & E. Termostatkontroller

Justerer innstilt temperatur etter dine personlige behov. Når ønsket innstilt temperatur er oppnådd, slår ovnen seg av. Ovnens slår seg på og av for å opprettholde ønsket innstilt temperatur. Standard temperaturinnstilling er 22 °C (72 °F).

→ Justeres ved å trykke på  for å redusere eller øke ønsket verdi  på enheten eller

fjernkontrollen.


- Skjermen viser temperaturinnstillingen etterhvert som den justeres.


! **MERK:** Ved å holde inne knappene  og  i to sekunder



byter du temperaturskala fra °C til °F, eller omvendt.

### Deaktiver varme

Dersom det er ønskelig, kan ovnen på enheten deaktiveres. Ovnens brukes på samme måte med resten av kontrollene.

Du deaktiverer/aktiverer ovnen ved å trykke på knappene 

og  på enheten samtidig og holde dem inne i 2 sekunder.

! **MERK:** Når ovnen er deaktivert og du trykker på enten  eller , står det "--" på skjermen.

### F. Fargetemaer


Ulike forhåndsinnstillinger for rombelysning og fargekombinasjoner i enheten.

- Endres ved å trykke på tilsvarende knapp på fjernkontrollen eller enheten gjentatte ganger.
- Skifter mellom de ulike forhåndsinnstilte lysinnstillingene på enheten, inkludert ulike

## Operation

kombinasjoner av farger på flammen og mediebelysning.

**! MERK:** Det siste temaet i syklusen er et prisme hvor enheten veksler mellom en rekke farger.

Ved å trykke på -knappen stanser du vekslingen, og ønsket farge vil vises stabilt på enheten. Dette indikeres av en «U» (opphev frys) eller en «F» (frys) på skjermen.

### **G.** Lysstyrke


Endrer lysstyrken på lysene i enheten.


- Endres ved å trykke gjentatte ganger på tilsvarende knapp på fjernkontrollen.
- Indikeres av at det andre tallet på Floating Display™ endres til å vise: "H" (høy), og "L" (lav).

### **H.** Automatisk slukning

Automatisk slukning kan stilles inn til å slå peisen automatisk av etter en forhåndsinnstilt tidsperiode (fra 30 minutter til 8 timer).

- For å stille inn tidtakeren trykker du på tidtakerknappen på fjernkontrollen eller enheten gjentatte ganger til ønsket tid vises.
- Skjermen viser de ulike tidene

etterhvert som de justeres. Når tidtakeren har startet, kan du se hvor lenge det er til enheten slår seg av ved å trykke på -knappen.

**! MERK:** Automatisk slukning kan avbrytes når som helst ved å trykke på -knappen gjentatte ganger inntil automatisk slukning ikke viser noen verdier.

### **Nullstille utkoplingsbryter for temperatur**

Dersom ovnen overopphetes, vil en automatisk utkobling deaktivere ovnen, og den kan ikke slås på igjen før den er nullstilt. Du kan nullstille enheten ved å koble den fra og vente i 5 minutter før du kobler den til igjen.

### Utskiftning av batteriet i fjernkontrollen

For å skifte ut batteriet:

1. Skyv batteridekselet på fjernkontrollen åpent.
2. Sett i et 3-volts batteri (type CR2032 [lengre levetid] eller CR2025) i batteriholderen.
3. Lukk batteridekselet.

Batteriet må resirkuleres eller bortskaffes på riktig vis. Forhør deg med

lokale myndigheter eller forhandler for råd om resirkulering i ditt område.





## Vedlikehold

**⚠ ADVARSEL:** Strømmen må koples fra før det gjøres noe forsøk på å vedlikeholde eller rengjøre enheten, slik at faren for brann, elektrisk støt eller personskade reduseres.

### Rengjøring av delvis reflekterende glass

Det delvis reflekterende glasset er rengjort under montering på fabrikken. Under transport, montering, håndtering osv. kan det delvis reflekterende glasset samle støvpartikler. Disse kan fjernes ved å tørke lett med en ren og tørr klut.

Bruk en fuktig klut til å fjerne fingeravtrykk eller andre merker fra det delvis reflekterende

glasset. Det delvis reflekterende glasset bør tørkes helt med en lofri klut slik at det ikke danner seg vannflekker. Riperbørsting, så skuremidler må ikke brukes.

### Rengjøring av peisens overflater

Bruk kun en fuktig klut til å rengjøre lakkerte overflater på peisen. Ikke bruk skuremidler.

### Service

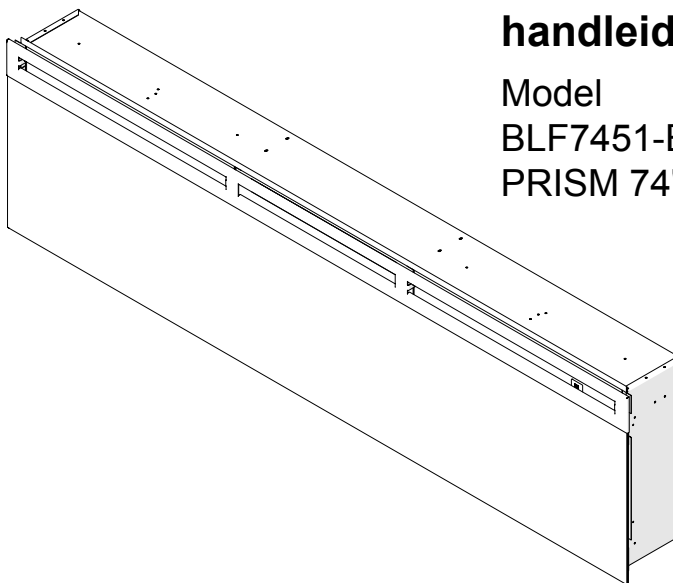
En autorisert servicerepresentant bør utføre all montering og rengjøring, med unntak av det som er beskrevet i denne håndboken.



Better solutions through innovation

## Gebruikers- handleiding

Model  
BLF7451-EU  
PRISM 74"



EN

FR

ES

IT

DE

PL

RU

NO

**NL**

**BELANGRIJKE VEILIGHEIDSINFORMATIE:** lees altijd eerst deze handleiding voordat u deze haard probeert te installeren en gebruiken. Voor uw veiligheid dient u altijd alle waarschuwingen en veiligheidsinstructies in deze handleiding na te leven om persoonlijk letsel en schade aan eigendom te voorkomen.



## Inhoudsopgave

	Welkom & felicitaties . . . . .	3
	<b>BELANGRIJKE VEILIGHEIDSINSTRUCTIES</b> . . . .	4
	Beknopte gebruiksaanwijzing . . . . .	7
	Installatie van de haard . . . . .	8
	Keuze van locatie . . . . .	8
	Oppervlak Installatie . . . . .	9
	In de wand ingebouwde installatie - 100mm diep . . . . .	10
	Verzonken Installatie - 200mm diep . . . . .	12
	Installatie voorruit . . . . .	13
	Gebruik . . . . .	15
	Onderhoud . . . . .	19

Gebruik altijd een gekwalificeerde monteur of agent om deze haard te repareren.

**! OPMERKING:** procedures en technieken die belangrijk genoeg geacht worden om te benadrukken.

**⚠ LET OP:** procedures en technieken die, als ze niet zorgvuldig gevolgd worden, schade aan de uitrusting zullen veroorzaken.

**⚠ WAARSCHUWING:** procedures en technieken die, als ze niet zorgvuldig gevolgd worden, de gebruiker blootstellen aan het risico op brand, ernstig letsel of de dood.

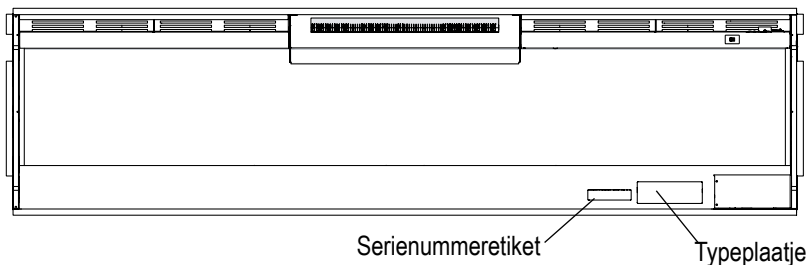
## Welkom & felicitaties

Dank u en gefeliciteerd met uw aanschaf van een elektrische haard van Dimplex, wereldleider in elektrische haarden.

**Lees en bewaar deze instructies zorgvuldig.**

**⚠ WAARSCHUWING:** lees alle instructies en waarschuwingen zorgvuldig voordat u met de installatie begint. Het niet-naleven van deze instructies kan in eventuele elektrische schokken of brandgevaar resulteren en zal de garantie ongeldig maken.

Noteer uw model- en serienummers voor gebruik in de toekomst: model- en serienummers vindt u op het model- en serienummeretiket van uw haard.





## **BELANGRIJKE VEILIGHEIDSINSTRUCTIES**

**Lees alle voorschriften eerst door alvorens dit apparaat te gebruiken.**

Bij gebruik van elektrische apparaten moeten altijd bepaalde voorzorgsmaatregelen in acht worden genomen om het risico van brand, elektrische schok en letsel te verminderen. Dit betekent o.a.:

1. Raadpleeg de leverancier als de haard is beschadigd voordat u deze installeert en gebruikt.
2. Gebruik de haard niet buiten.
3. Niet gebruiken in de onmiddellijke nabijheid van een bad, douche of zwembad.
4. Plaats het apparaat nooit onmiddellijk onder een vaste wandcontactdoos of verdeelkast.
5. Dit apparaat kan alleen worden gebruikt door kinderen vanaf 8 jaar en personen met lichamelijke, zintuiglijke of geestelijke beperkingen of die er geen ervaring mee en kennis van hebben indien zij toezicht of aanwijzingen hebben gekregen om het apparaat op veilige wijze te gebruiken en ook begrijpen welke gevaren er kunnen ontstaan. Kinderen mogen niet met het apparaat spelen. Kinderen mogen niet zonder toezicht reiniging en onderhoud uitvoeren.
6. Kinderen jonger dan 3 jaar moeten uit de buurt van het apparaat worden gehouden, tenzij er voortdurend toezicht wordt gehouden. Kinderen tussen de 3 en 8 jaar mogen het apparaat alleen aan- en uitzetten als het op de bedoelde normale plek geplaatst of gemonteerd is en zij toezicht of aanwijzingen hebben gekregen om het



## **BELANGRIJKE VEILIGHEIDSINSTRUCTIES**

apparaat op veilige wijze te gebruiken en ook begrijpen welke gevaren er kunnen ontstaan. Kinderen tussen de 3 en 8 jaar mogen het apparaat niet aansluiten, bedienen en reinigen of onderhoud uitvoeren.

7. Gebruik dit apparaat niet in serie met een thermisch regelapparaat, een programma-regelapparaat, een tijd klok of enig ander apparaat dat de haard automatisch inschakelt, omdat er brandgevaar ontstaat als het apparaat per ongeluk is afgedekt of op de verkeerde plaats is gezet.
8. Dit apparaat is niet uitgerust met een toestel voor het regelen van de kamertemperatuur. Gebruik dit apparaat niet in kleine ruimten waar personen aanwezig zijn die niet op eigen kracht de ruimte kunnen verlaten, tenzij er constant toezicht wordt gehouden.
9. Zorg dat meubilair, gordijnen of ander brandbaar materiaal zich minstens 1 meter uit de buurt van het apparaat bevinden.
10. In geval van een storing haalt u de stekker van het apparaat uit het stopcontact.
11. Haal de stekker uit het stopcontact als het apparaat gedurende lange tijd niet gebruikt zal worden.
12. Hoewel dit apparaat voldoet aan de veiligheidsnormen, is het niet raadzaam om het op hoogpolige vloerbedekking of op een langharig kleed te gebruiken.
13. Het apparaat moet zodanig worden geïnstalleerd dat de stekker bereikbaar blijft.
14. Als het netsnoer is beschadigd, dan moet dit door de fabrikant of een onderhoudsmonteur of een dergelijk



## BELANGRIJKE VEILIGHEIDSINSTRUCTIES


bevoegd persoon worden vervangen om risico's te vermijden.

15. Houd het voedingssnoer uit de buurt van de voorkant van het apparaat.

**⚠ WAARSCHUWING:** Dek het apparaat nooit af om oververhitting te voorkomen. Plaats geen materiaal of kledingstukken op het apparaat en zorg ook dat de luchtcirculatie om het apparaat niet gehinderd wordt, bijvoorbeeld door gordijnen of meubilair omdat dit oververhitting en brandgevaar kan veroorzaken.

**⚠ WAARSCHUWING:** Om gevaar te vermijden door een onbedoelde en ongewenste reset van de thermische beveiliging, mag de stroomtoevoer van het apparaat niet via een extern schakelapparaat zoals een tijdschakelaar lopen en het apparaat mag niet op een circuit worden aangesloten dat regelmatig door het nutsbedrijf wordt in- en uitgeschakeld.

**⚠ LET OP:** Sommige onderdelen van dit product kunnen zeer heet worden en brandwonden veroorzaken. Let vooral goed op als er kinderen of andere kwetsbare mensen in de buurt zijn.

De verwarming draagt het waarschuwingssymbool  dat aangeeft dat het niet moet worden afgedekt

## SLA DEZE INSTRUCTIES OP



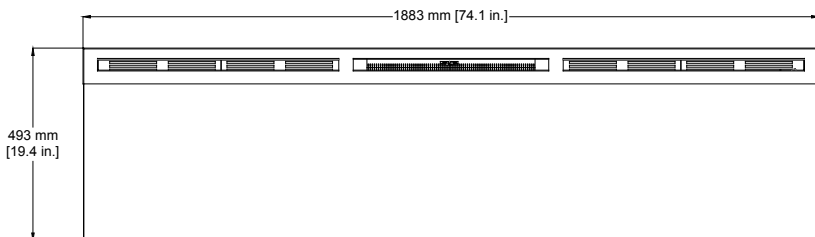
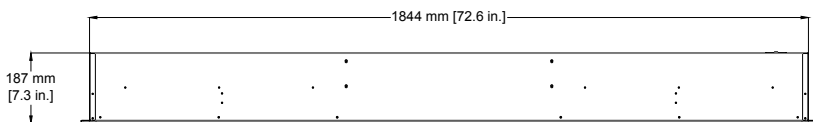
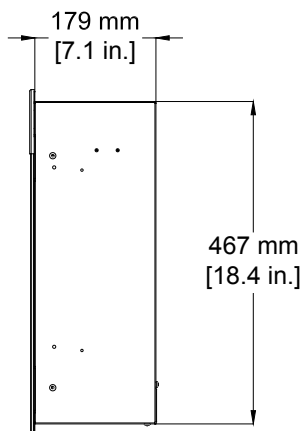
## Beknopte gebruiksaanwijzing

- ① De elektrische informatie over uw elektrische haard vindt u op het typeplaatje aan de voorzijde van het apparaat, achter het glas.

Noteer voor installatie het serienummer van uw haard voor gebruik in de toekomst.

- ② Neem voor technische vragen of problemen over de werking van uw elektrische haard of voor onderhoudswerkzaamheden contact op met de klantenservice.
- ③ Voor de afmetingen van uw haard verwijzen we naar Afbeelding 1.

**Afbeelding 1**



## Installatie van de haard

### Keuze van locatie

Bekijk en beoordeel de volgende installatievoorwaarden:

- Afmetingen van de haard: 188,3cm x 49,5cm
- Voor de haard zijn ten minste drie (3) muurstijlen nodig om een veilige installatie te kunnen garanderen

Drie mogelijkheden voor installatie:

- Installatiemethode: Opbouw, in de wand of inbouw
- Vaste bedrading of aansluitmethode

**⚠ WAARSCHUWING:** Zorg ervoor dat het netsnoer niet zodanig geïnstalleerd is dat hij bekneld zit of tegen een scherpe rand aan ligt. Zorg er ook voor dat het netsnoer is opgeruimd of vastgemaakt, zodat niemand erover kan vallen of achter kan blijven haken. Zo wordt de kans op brand, elektrische schokken of persoonlijk letsel kleiner. Bedrading van de bouw en elektrische contacten moeten aan de plaatselijke bouwcodes en andere van toepasselijke regels voldoen om de kans op brand, elektrische schokken en persoonlijk letsel te verkleinen.

1. Kies een locatie die niet vatbaar voor vocht is en uit de

buurt van gordijnen, meubels en waar niet veel mensen lopen.

2. Voor een gemakkelijke aansluiting op het elektriciteitsnet is het wellicht wenselijk de haard bij een bestaand stopcontact te plaatsen (voor aansluitgemak).

**! OPMERKING 1:** Er moet een circuit met 13 A, 230-240 Volt aanwezig zijn. Een hiervoor bestemd circuit is gewenst maar niet essentieel in alle klassen. Een hiervoor bestemd circuit is nodig indien, na installatie, de stroomonderbreker regelmatig omslaat of een zekering doorbrandt wanneer de verw warmer werkt. Mogelijk overschrijden andere apparaten op hetzelfde circuit de huidige rating van de stroomonderbreker.

3. Haal de haard, voorruit en hardware uit de doos en verwijder al het verpakkingsmateriaal vóór installatie.
4. Zet de haard op een veilige, droge en stofvrije plek totdat u klaar bent om de haard te installeren.



## Installatie van de haard

Voor gemakkelijke aansluiting is de haard verpakt met een driepinstekker. De haard met vaste bedrading aansluiten is ook een mogelijkheid. Verwijder de stekker van het in de fabriek aangebrachte snoer en voltooi de bedrading volgens de nationale en lokale elektrische codes.

**⚠ WAARSCHUWING:** Probeer niet uw eigen nieuwe contacten of circuits te bedraden. Maak altijd gebruik van een bevoegd elektricien om de kans op brand, elektrische schokken en persoonlijk letsel te verkleinen.

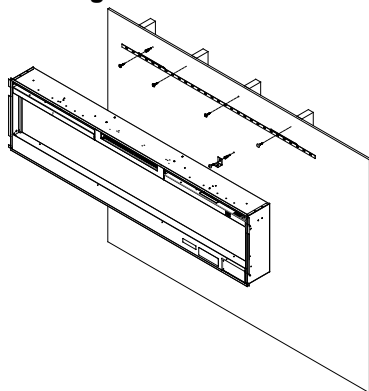
**⚠ WAARSCHUWING:** Zorg ervoor dat de 3-standenschakelaar in de Off-stand ("O") staat en dat er geen stroom staat op het circuit waarop de haard geïnstalleerd gaat worden totdat de installatie klaar is.

### Oppervlak Installatie

**⚠ LET OP:** Bij verschillende stappen van deze procedure zijn twee personen nodig.

1. Bepaal waar het apparaat moet worden geplaatst, zodat de klem voor wandbevestiging in 3 muurstijlen wordt geïnstalleerd.

**Afbeelding 2**

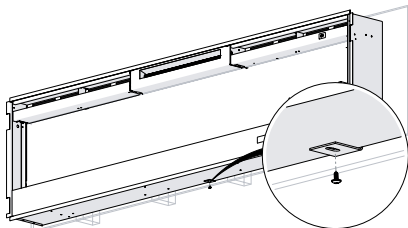


**! OPMERKING:** Het wordt aanbevolen de montagebeugel 56 in. (142 cm) van de grond te monteren om een optimale zichthoek van de vlam te waarborgen.

2. Houd de montagebeugel voor de wand met de waterpas erboven tegen de muur, zodat de bel in de waterpas zich tussen de twee zwarte lijnen bevindt.
3. Markeer de locaties voor de 4 montageschroeven op de muur, en let erop dat de wandbeugel recht blijft. (Afbeelding 3)
4. Op locaties waar de schroeven in gipswand worden geïnstalleerd, moeten voor de schroeven de meegeleverde muurverankeringen worden

## Installatie van de haard

**Afbeelding 3**



gebruikt (voorboren indien nodig).

5. Maak de beugel vast met behulp van de meegeleverde  $\frac{1}{2}$  bevestigingsschroeven van 1 in. (3,8 cm) en sluitringen aan de wand en/of muurverankeringen.
6. Monteer de onderste steunbeugels aan de wand, gecentreerd met de montagebeugel en gebruik daarvoor het juiste gereedschap: 13  $\frac{3}{4}$ " (350 mm) onder de bevestigingsbeugel voor de muur. (Afbeelding 2)
7. Verwijder de middelste schroef uit de onderkant van de haard. (Afbeelding 3)
8. Hang de haard aan de beugel.
9. Doe de verwijderde schroef door de onderste steunbeugel in de haard.
10. Voor de uiteindelijke installatieprocedures verwijzen wij

naar "Installatie van de voorruit".

### **In de wand ingebouwde installatie - 100mm diep**

**⚠ LET OP:** Bij verschillende stappen van deze procedure zijn mogelijk twee personen nodig.

1. Bereid een muur voor met een vakwerkopening van 185,7cm breed en 42 cm hoog (Afbeelding 4).  
**! OPMERKING:** Voor een gemakkelijke installatie bieden de afmetingen 6,4mm speling rond de haard. Voor de haard is geen extra ventilatie nodig.
2. Kies de wijze waarop u de haard van stroom wilt voorzien:
  - Aansluiten (u kunt het netsnoer uit de vakwerkwand naar een bestaand contact leiden of een contact installeren op een nabije muurstijl in de wand).
  - Breng vaste bedrading voor de haard aan.

**! OPMERKING:** Voor een vaste bedrading verwijdert u de stekker van het in de fabriek aangebrachte snoer en voltooit u

## Installatie van de haard

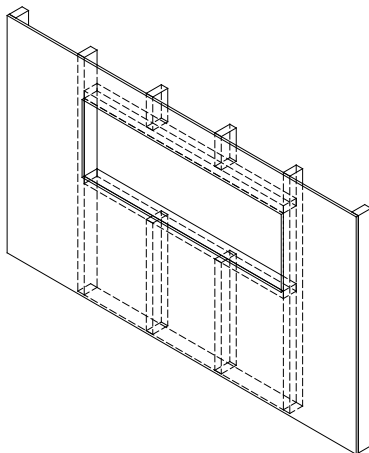
de bedrading volgens de nationale en lokale elektrische codes.

**⚠ WAARSCHUWING:** Probeer niet uw eigen nieuwe contacten of circuits te bedraden. Maak altijd gebruik van een bevoegd elektricien om de kans op brand, elektrische schokken en persoonlijk letsel te verkleinen.

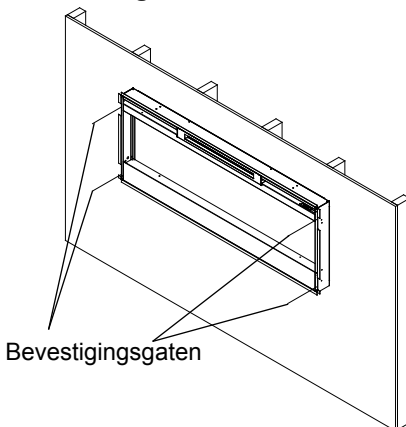
Zorg ervoor dat de 3-standenschakelaar in de Off-stand ("O") staat en dat er geen stroom staat op het circuit waarop de haard geïnstalleerd gaat worden totdat de installatie klaar is.

3. Til de haard op en doe hem in de opening (Afbeelding 5).
4. Gebruik de luchtbelwaterpas (meegeleverd) om de haard op gelijke hoogte van het frame te brengen. Pas indien nodig aan.
5. Doe vier (4) meegeleverde montageschroeven door de vier (4) bevestigingsgaten in elke hoek van het haardframe in de muurstijlen (Afbeelding 6).
6. Voor de uiteindelijke installatieprocedures verwijzen wij naar "Installatie van de voorruit".

**Afbeelding 4**

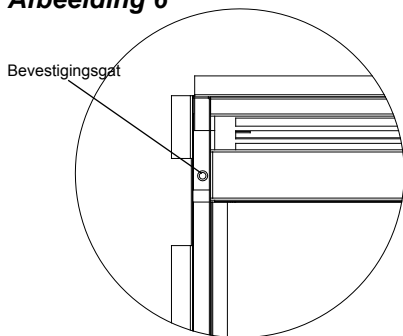


**Afbeelding 5**



## Installatie van de haard

**Afbeelding 6**



### **Verzonken Installatie - 200mm diep**

**⚠ LET OP:** Bij verschillende stappen van deze procedure zijn mogelijk twee personen nodig.

1. Bereid een muur voor met een vakwerkopening van 185,7 cm breed en 47 cm hoog (Afbeelding 7).

**! OPMERKING:** Voor een gemakkelijke installatie bieden de afmetingen 6,4mm speling rond de haard. Voor de haard is geen extra ventilatie nodig.

2. Kies de wijze waarop u de haard van stroom wilt voorzien:
  - Aansluiten (u kunt het netsnoer uit de vakwerkwand naar een bestaand contact leiden of een contact

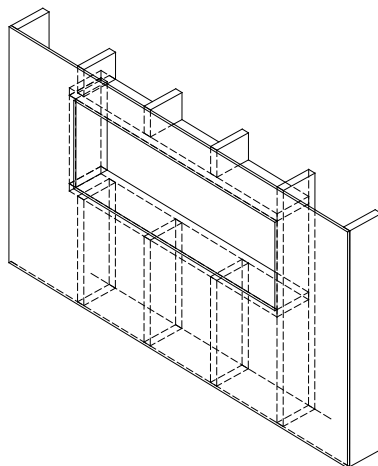
installeren op een nabije muurstijl in de wand).

- Breng vaste bedrading voor de haard aan.

**! OPMERKING:** Voor een vaste bedrading verwijdt u de stekker van het in de fabriek aangebrachte snoer en voltooit u de bedrading volgens de nationale en lokale elektrische codes.

**⚠ WAARSCHUWING:** Probeer niet uw eigen nieuwe contacten of circuits te bedraden. Maak altijd gebruik van een bevoegd elektricien om de kans op brand, elektrische schokken en persoonlijk letsel te verkleinen.

**Afbeelding 7**



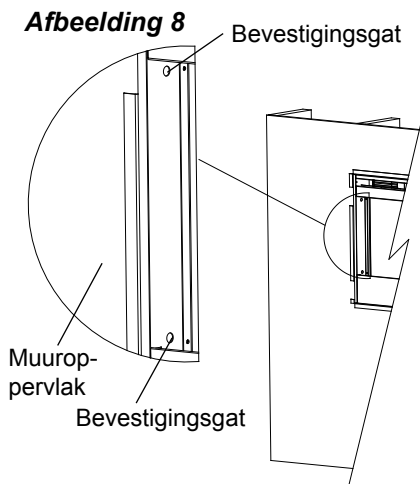
## Installatie van de haard

Zorg ervoor dat de 3-standenschakelaar in de Off-stand ("O") staat en dat er geen stroom staat op het circuit waarop de haard geïnstalleerd gaat worden totdat de installatie klaar is.

3. Til de haard op en doe hem in de opening. De montagestrip van de haard moet strak tegen de wand staan (Afbeelding 8).
4. Gebruik de luchtbelwaterpas (meegeleverd) om de haard op gelijke hoogte van het frame te brengen. Pas indien nodig aan.
5. Doe vier (4) meegeleverde montageschroeven door de vier (4) bevestigingsgaten in het binnenste oppervlak van het haardframe, in de muurstijlen (Afbeelding 8).
6. Voor de uiteindelijke installatieprocedures verwijzen wij naar "Installatie van de voorruit".

### Installatie voorruit

1. Verdeel de meegeleverde rotswol evenredig over de voorste tray van de haard (Afbeelding 9).
2. Monteer voorzichtig de

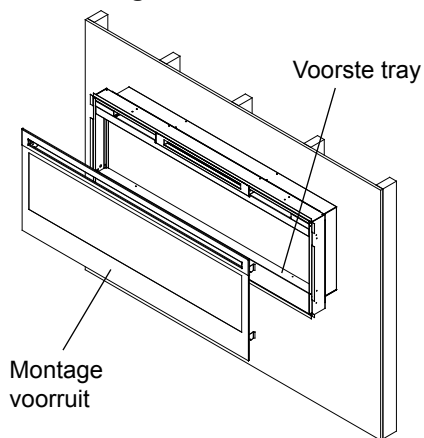


voorruit zodat de haken van de voorruit (4) op de bevestigingen hangen op de haard (4) (Afbeelding 10).

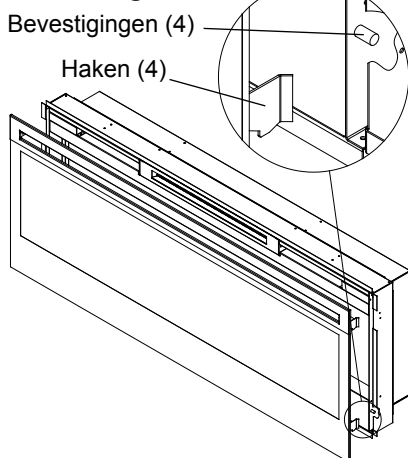
3. Gebruik de meegeleverde (2) Phillips parkerschroeven om de tabs van de ruit aan de haard vast te maken (Afbeelding 11).
4. Zorg ervoor dat de 3-standenschakelaar van de haard in de Off-stand ("O") staat.
5. Als de haard niet van vaste bedrading is voorzien, sluit hem dan aan op een stopcontact van 10 A, 230-240 Volt (zie OPMERKING 1).

## Installatie van de haard

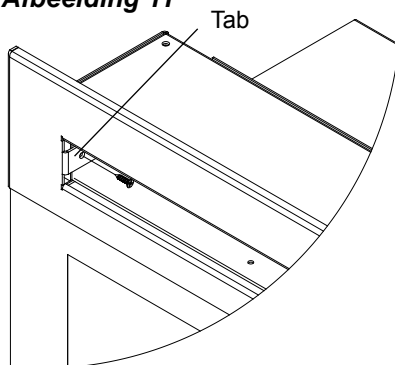
**Afbeelding 9**



**Afbeelding 10**

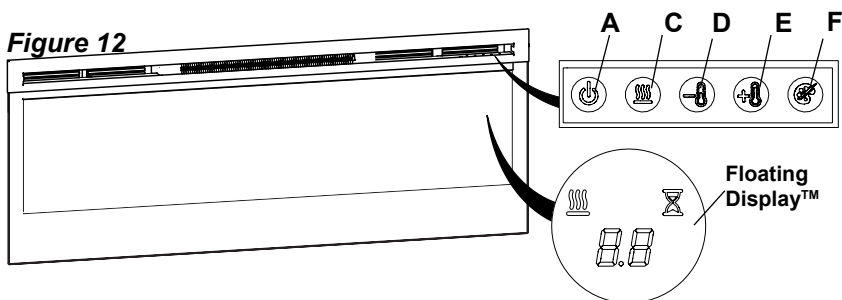


**Afbeelding 11**



## 👉 Operation

Figure 12



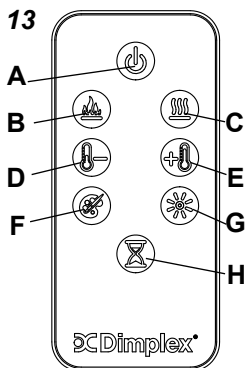
**⚠️ WAARSCHUWING:** Deze elektrische haard dient voor gebruik correct te worden geplaatst.

Het apparaat kan zowel met de handbediening rechts boven op de haard of met de afstandsbediening (figuur 12 en 13) worden bediend.

De haard is voorzien van een multifunctionele IR-afstandsbediening.

**! OPMERKING:** Voor een correcte werking moet de af-

Figure 13



standsbediening naar het Floating Display™ worden gericht.

### A. Stand-by

Hiermee schakelt u het apparaat in of uit.

→ Wordt geactiveerd door op de stand-byknop op de afstandsbediening of het apparaat te drukken.

- Bij inschakeling van het apparaat worden de functies weer ingeschakeld die waren ingesteld toen het apparaat werd uitgeschakeld en de inlaattemperatuur wordt weergegeven op het scherm.


**! OPMERKING:** De inlaattemperatuur wordt gedurende 5 seconden op het scherm weergegeven nadat op een willekeurige knop is gedrukt.

### B. Vlameffecten

Hiermee schakelt u het vlameffect in of uit.

→ Wordt geactiveerd door op de

## Operation

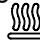
knop  op de afstandsbediening te drukken.

### C. Warmte AAN/UIT

Hiermee doorloopt het apparaat de 3 instellingen: Geringe warmte, Hoge warmte en Uit.

- Wordt geactiveerd door op de knop  op het apparaat of de afstandsbediening te drukken.
- Wordt aangegeven met het pictogram  en de inlaattemperatuur wordt voor het uitschakelen gedurende 5 seconden op het scherm weergegeven.


**! OPMERKING:** Nadat de verwarming is uitgeschakeld, blijft de ventilator nog 60 seconden draaien.


**! OPMERKING:** Het apparaat kan worden gebruikt in de **modus Alleen verwarmen**. Wanneer op het apparaat alleen de verwarming is ingeschakeld, blijft het pictogram  zichtbaar op het scherm.

**! OPMERKING:** Tijdens het eerste gebruik kan de verwarming een lichte, onschadelijke geur uitstoten. Deze geur is normaal tijdens de eerste keer dat de interne onderdelen worden verwarmd en is eenmalig.

### D & E. thermostaatbediening



Hiermee stelt u de temperatuur in op basis van uw eigen behoeften. Zodra de gewenste temperatuur is bereikt, wordt de verwarming uitgeschakeld. De verwarming wordt afwisselend in- en uitgeschakeld om de gewenste, ingestelde temperatuur te handhaven. De standaardtemperatuurinstelling is 22 °C (72°F).

→ U kunt dit aanpassen door op  te drukken om de ingestelde temperatuur te verlagen

en op  om de ingestelde temperatuur te verhogen op het apparaat of de afstandsbediening.

- Op het scherm wordt de ingestelde temperatuur weergegeven terwijl u deze instelt.

**! OPMERKING:** Wanneer u de

knoppen  en  op het apparaat gedurende twee seconden indrukt, verandert de temperatuur van °C in °F, of vice versa.



### Verwarming uitschakelen

Indien gewenst kan de verwarming op het apparaat, afhankelijk van het seizoen, worden uitgeschakeld. Het apparaat blijft op





## Operation

dezelfde manier werken met de overgebleven bediening.

Wanneer u tegelijkertijd de knoppen  en  op het apparaat gedurende 2 seconden indrukt, wordt de verwarming in- of uitgeschakeld.

**! OPMERKING:** Wanneer de verwarming is uitgeschakeld en

u op de knop  of  drukt, wordt op het scherm "--" weergegeven.


### **F. Kleurthema's**

In het apparaat zijn verschillende voorinstellingen kleurencombinaties voor aangepaste verlichting ingesteld.

→ Wordt gewijzigd door herhaaldelijk op de bijbehorende knop op de afstandsbediening of het apparaat te drukken.

- Hiermee doorloopt u verschillende vooraf geconfigureerde instellingen voor aangepaste verlichting in het apparaat, waaronder verschillende kleurencombinaties van de vlam en de mediaverlichting.

**! OPMERKING:** Het laatste thema van de cyclus is een prisma, waarmee het apparaat een cyclus van verschillende kleuren door-

loopt. Als u op de knop  drukt,

wordt de cyclus onderbroken en wordt de voorkeurskleur weergegeven. Dit wordt op het scherm aangegeven door middel van een "U" (Unfreeze > Vrijgeven) of een "F" (Freeze > Vastzetten).

### **G. Helderheid**

Hiermee wijzigt u de helderheid van het licht in het apparaat.

→ Wordt gewijzigd door herhaaldelijk op de bijbehorende knop op de afstandsbediening te drukken.

- Wordt weergegeven met het tweede getal op het Floating Display™, dat het volgende weergeeft: "H" (hoog) en "L" (laag).


### **H. Tijdschakelaar**


De Tijdschakelaar kan worden

## Operation

ingesteld, zodat de haard na een vooraf ingestelde tijd (variërend van 30 minuten tot 8 uur) automatisch wordt uitgeschakeld.

→ Als u de timer wilt instellen, drukt u herhaaldelijk op de timer-knop op de afstandsbediening of het apparaat totdat de gewenste tijd wordt weergegeven.

- Op het scherm worden de verschillende tijden weergegeven terwijl deze u deze instelt. Zodra de timer is gestart, kunt u de resterende tijd totdat het apparaat wordt uitgeschakeld weergegeven door op de knop  te drukken.

**! OPMERKING:** De Tijdschakelaar kan op elk gewenst moment worden uitgeschakeld door herhaaldelijk op de knop  te drukken totdat voor de timer geen tijd meer wordt weergegeven.

### De temperatuurveiligheidschakeling resetten

Als de verwarming oververhit raakt, wordt deze automatisch uitgeschakeld. De verwarming kan pas weer worden gebruikt wanneer deze schakeling is gereset. U kunt het apparaat resetten door

de stekker gedurende minimaal 5 minuten uit het stopcontact te nemen.

### De batterij van de afstandsbediening vervangen

De batterij vervangen:

1. Schuif het batterijdeksel op de afstandsbediening open.
2. Plaats één 3-Volt (CR2032 [langere levensduur] of CR2025) batterij in de batterijhouder.
3. Sluit het batterijdeksel.

Batterijen dienen altijd te worden gerecycled of conform de geldende regelge-



## Onderhoud

**⚠ WAARSCHUWING:** schakel vóór onderhoud en reiniging de voeding uit om het risico op brand, elektrische schok of letsel van personen te beperken.

### Reiniging van de gedeeltelijk weerspiegelende ruit

Tijdens de assemblage wordt de gedeeltelijk weerspiegelende ruit in de fabriek gereinigd.

Tijdens verzending, installatie, manipulatie, etc. kunnen zicht stofpartikels op de gedeeltelijk weerspiegelende ruit afzetten. Deze kunnen er met een schone, droge doek worden afgeveegd.

Vingerafdrukken of andere vlekken op de gedeeltelijk weerspiegelende ruit kunnen met een vochtige doek worden verwijderd. De gedeeltelijk

weerspiegelende ruit moet met een pluisvrije doek helemaal worden drooggemaakt om waterspatten te voorkomen. Omkrassente voorkomen, moet u geen schuurmiddelen gebruiken.

### Reiniging van het hardoppervlak

Gebruik alleen een vochtige doek om geverfde oppervlakken van de haard te reinigen. Gebruik geen schuurmiddelen.

### Onderhoud

Met uitzondering van de in deze handleiding beschreven installatie en reiniging, moet een bevoegde onderhoudsvertegenwoordiger het onderhoud uitvoeren.